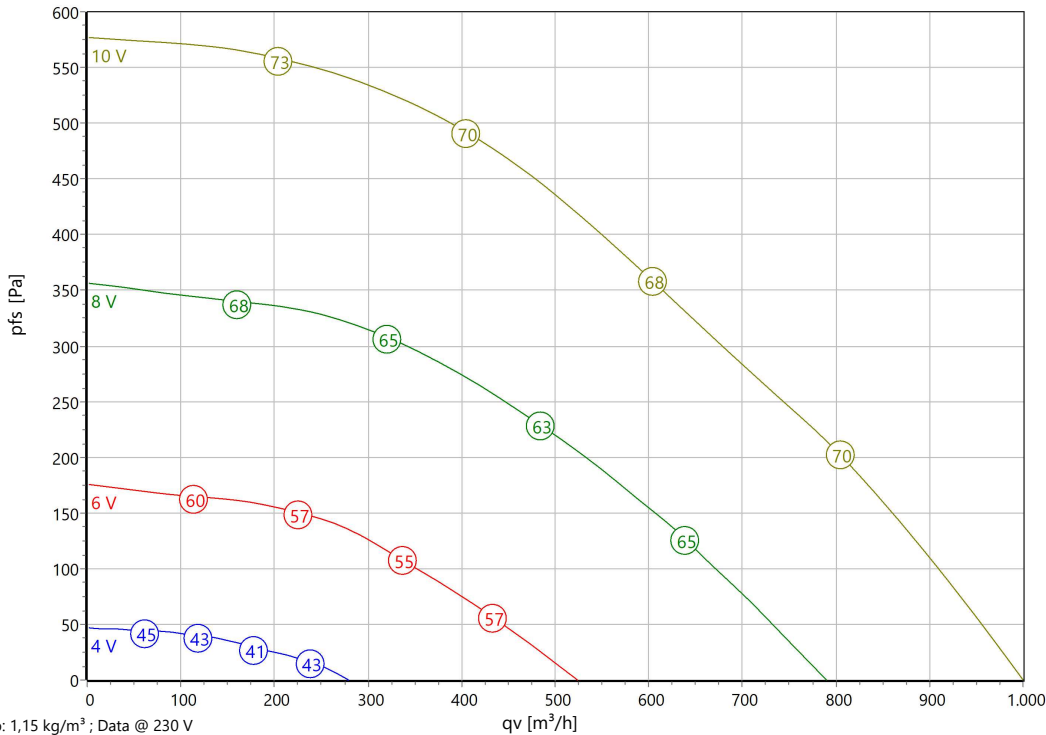




Type: **R 200 G.3BK**
Part no.: F02-20000



Curve:



ErP-Data:

(EU) Nr. 1253/2014	(Lot6)	
qV	542	m³/h
pfs	424	Pa
ηfs	41	%
Ped	0,156	kW
n	3169	r/min
N	53	
v	4,80	m/s
ηfs Lot11	54,1	%

Nominal Data:

U [V]	f [Hz]	Data @ [V]	Ped [kW]	IN [A]	nN [r/min]	tR [°C]	k10 [m²s/h]	IA / IN	IP	m [kg]
1~200-240	50/60	230	0,16	1,1	3200	-20 .. +50	-	-	IP 44	3,9

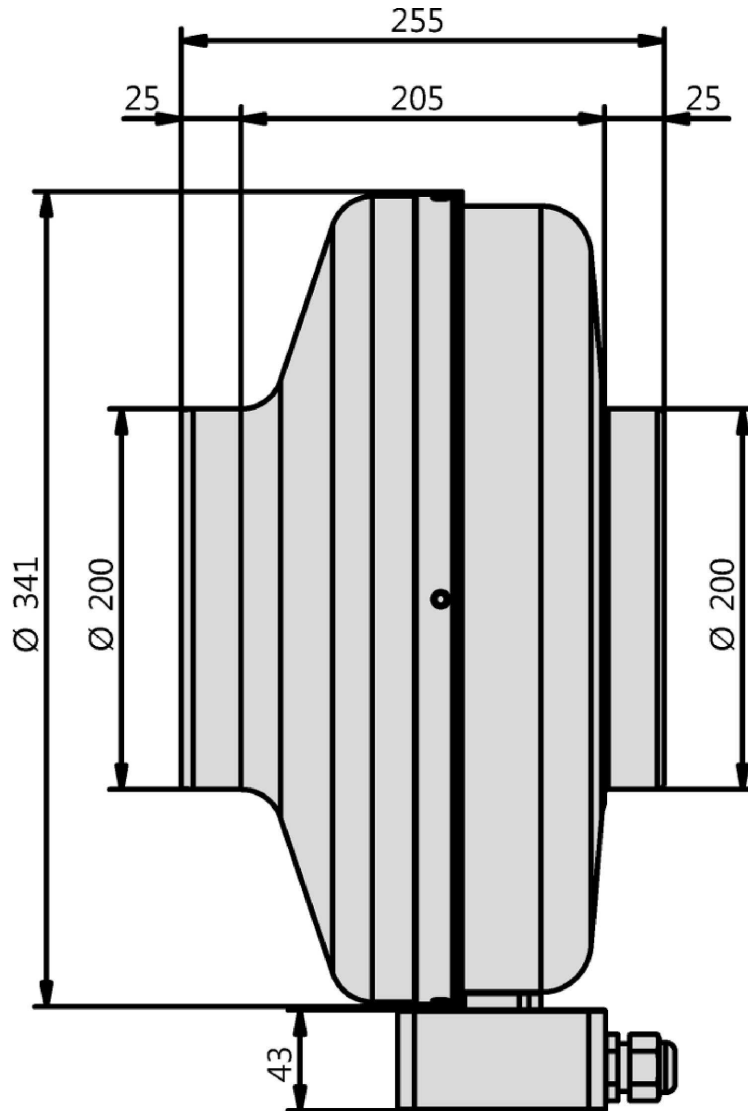
Sound Data:

Frequency	Σ	125Hz	250Hz	500Hz	1kHz	2kHz	4kHz	8kHz	Distances	1 m	5 m
LwA(D,in) [dB(A)]	2	-15	-6	-5	-5	-3	-9	-19	LpA(D,in) [dB(A)]	-5	-16
LwA(D,out) [dB(A)]		-18	-10	-9	-7	-4	-9	-17	LpA(D,out) [dB(A)]	-7	-18
LwA(D,cas) [dB(A)]	-17	-32	-27	-25	-24	-22	-25	-38	LpA(D,cas) [dB(A)]	-24	-35



Type: **R 200 G.3BK**

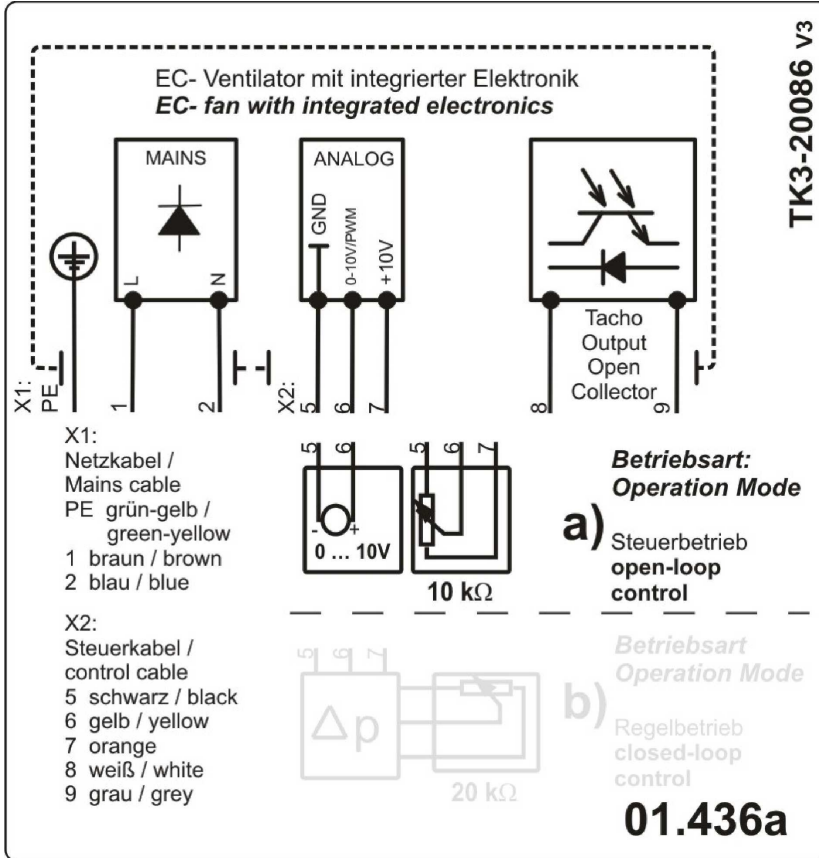
Part no.: F02-20000





Type: **R 200 G.3BK**

Part no.: F02-20000



Tube fan

with casing made of galvanized sheet steel

The Casing is made from galvanized sheet steel. Inlet and outlet side with duct connection for standard round ducts. Mounting either with horizontal or vertical motor shaft. Impeller made of Polypropylene (PP) UL94 V-0 with backward curved blades. Energy saving EC external-rotor motor. Maintenance free ball bearings, closed on both sides with long-term lubrication. Motor coated black and/or electrogalvanized. Cable for supply and controlling connection. 100% speed controllable with integrated Motor Protection. Soft Start. Applicable in all common energy grids. Motorized Impeller statically and dynamically balanced according to DIN ISO 21940-11 with quality level G2.5. The electrical connection is mounted on the housing by a IP44 terminal box. Air volume control is possible over an 0-10V Signal (accessory).

Fan complies with the guidelines required (Machinery-, EMC- and Low Voltage Directive) to comply with installation and conformity declaration as well as CE marking.

Nominal Data:

Voltage

1~200-240 V

Frequency

50/60 Hz

Input power

0,16 kW

Current

1,1 A

Speed

3200 r/min

Medium temperature

50 °C

Protection Mode

IP 44

Weight

3,9 kg

Dimensions

255 mm / 341 mm / 341 mm

Contact:

Rosenberg Ventilatoren BV

Elandlaan 8

NL - 3734 CP Den Dolder

www.rosenberg.nl

Type:

R 200 G.3BK

Article-No.:

F02-20000