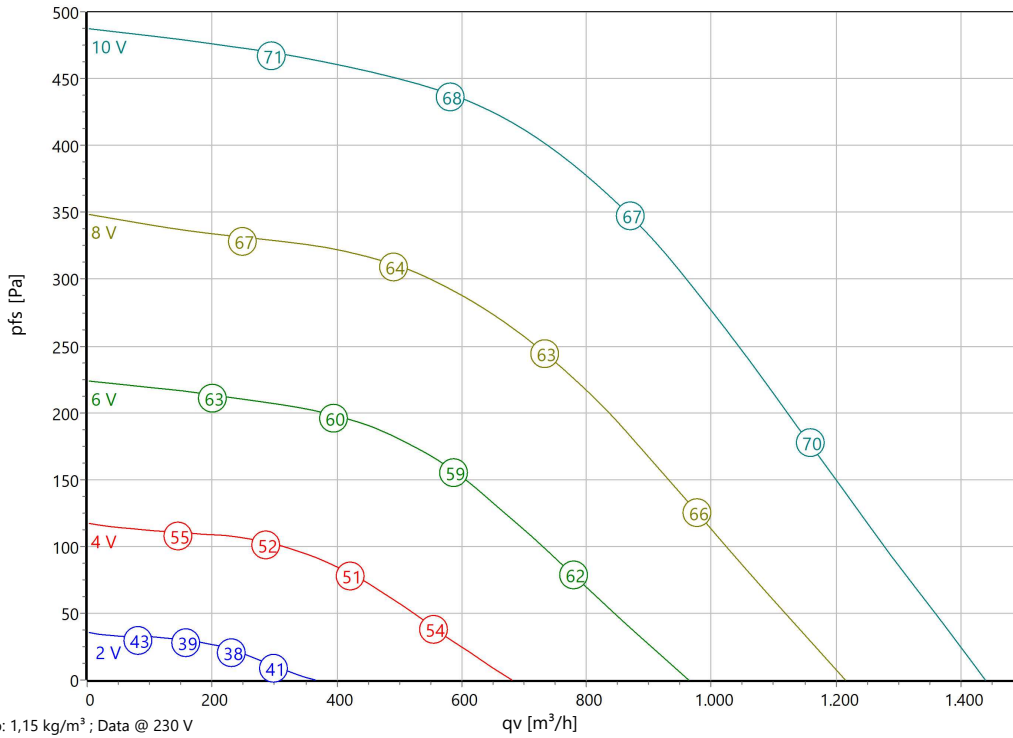




Type: **R 315 G.3DI**  
Part no.: F02-31504



**Curve:**



**ErP-Data:**

(EU) Nr. 1253/2014	(Lot6)
q <sub>v</sub>	772 m <sup>3</sup> /h
p <sub>fs</sub>	407 Pa
η <sub>fs</sub>	48,6 %
Ped	0,18 kW
n	2754 r/min
N	59
v	2,75 m/s
η <sub>fs</sub> Lot11	59,1 %

**Nominal Data:**

U [V]	f [Hz]	Data @ [V]	Ped [kW]	IN [A]	nN [r/min]	tR [°C]	k10 [m <sup>2</sup> s/h]	IA / IN	IP	m [kg]
1~200-277	50/60	230	0,18	0,81	2755	-20 .. +50	-	-	IP 54	6,5

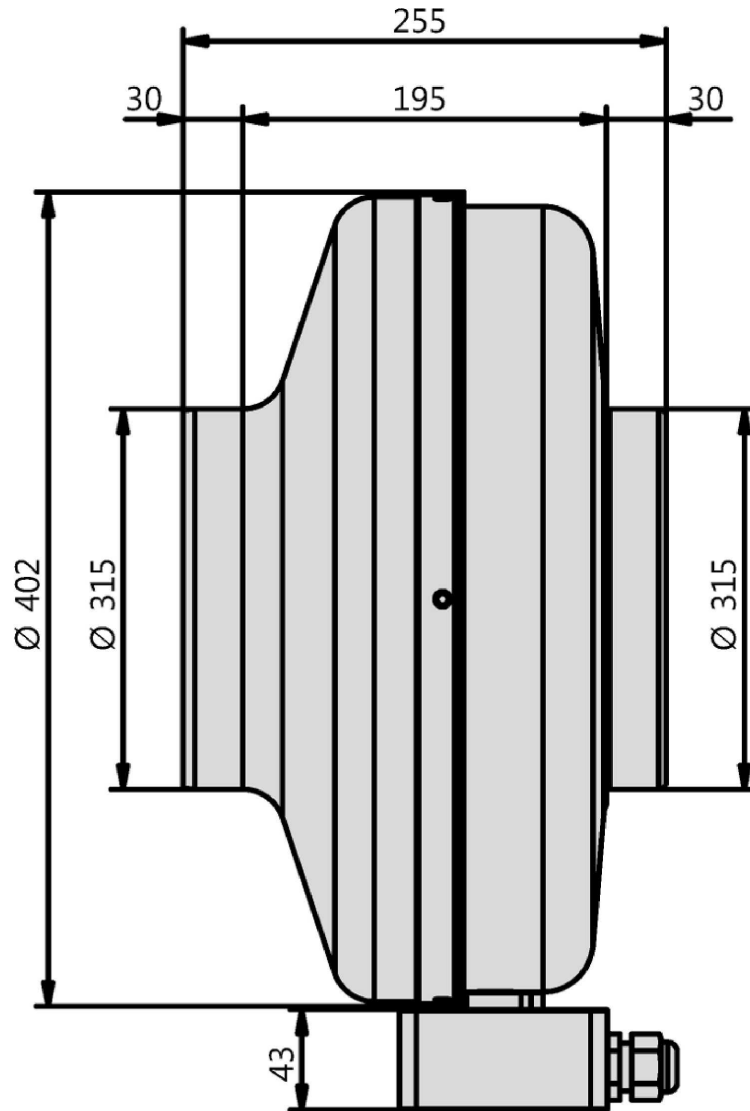
**Sound Data:**

Frequency	Σ	63Hz	125Hz	250Hz	500Hz	1kHz	2kHz	4kHz	8kHz	Distances	1 m	5 m
LwA(D,in) [dB(A)]	2	-31	-22	-4	-4	-4	-6	-10	-16	LpA(D,in) [dB(A)]	-5	-16
LwA(D,out) [dB(A)]		-33	-24	-6	-6	-6	-8	-12	-18	LpA(D,out) [dB(A)]	-7	-18
LwA(D,cas) [dB(A)]	-16	-33	-34	-26	-19	-24	-24	-30	-41	LpA(D,cas) [dB(A)]	-23	-34



Type: **R 315 G.3DI**

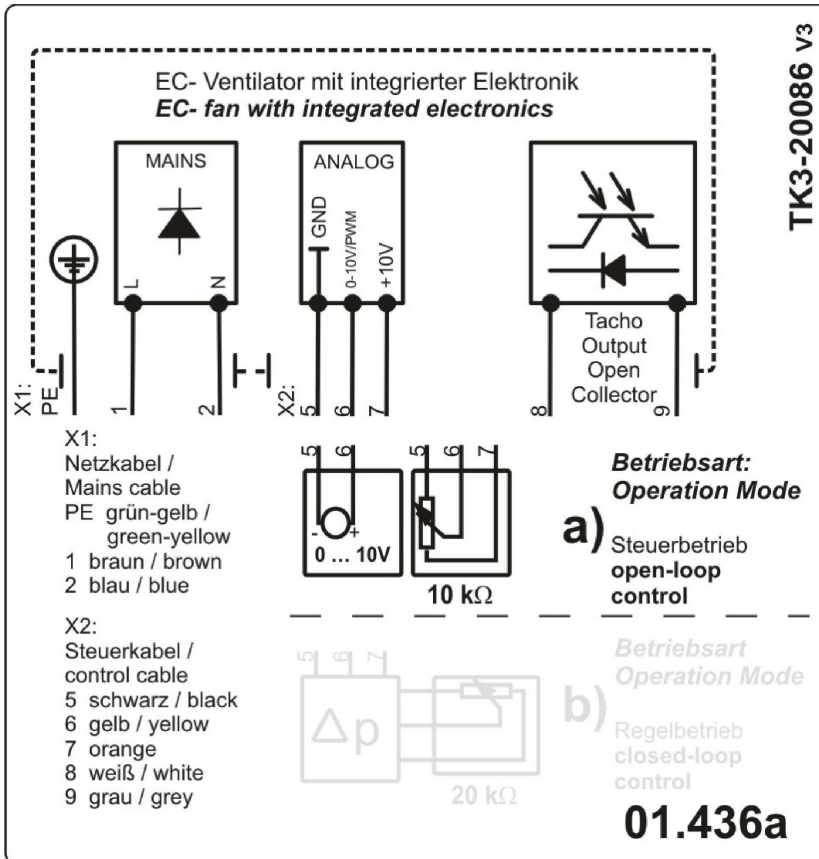
Part no.: F02-31504





Type: **R 315 G.3DI**

Part no.: F02-31504



### Tube fan

with casing made of galvanized sheet steel

The Casing is made from galvanized sheet steel. Inlet and outlet side with duct connection for standard round ducts. Mounting either with horizontal or vertical motor shaft. Impeller made of Polypropylene (PP) UL94 V-0 with backward curved blades. Energy saving EC external-rotor motor. Maintenance free ball bearings, closed on both sides with long-term lubrication. Motor coated black and/or electrogalvanized. Cable for supply and controlling connection. 100% speed controllable with integrated Motor Protection. Soft Start. Applicable in all common energy grids. Motorized Impeller statically and dynamically balanced according to DIN ISO 21940-11 with quality level G2.5. The electrical connection is mounted on the housing by a IP44 terminal box. Air volume control is possible over an 0-10V Signal (accessory).

Fan complies with the guidelines required (Machinery-, EMC- and Low Voltage Directive) to comply with installation and conformity declaration as well as CE marking.

### Nominal Data:

Voltage

1~200-277 V

Frequency

50/60 Hz

Input power

0,18 kW

Current

0,81 A

Speed

2755 r/min

Medium temperature

50 °C

Protection Mode

IP 54

Weight

6,5 kg

Dimensions

255 mm / 402 mm / 402 mm

### Contact:

Rosenberg Ventilatoren BV

Elandlaan 8

NL - 3734 CP Den Dolder

[www.rosenberg.nl](http://www.rosenberg.nl)

### Type:

R 315 G.3DI

### Article-No.:

F02-31504