

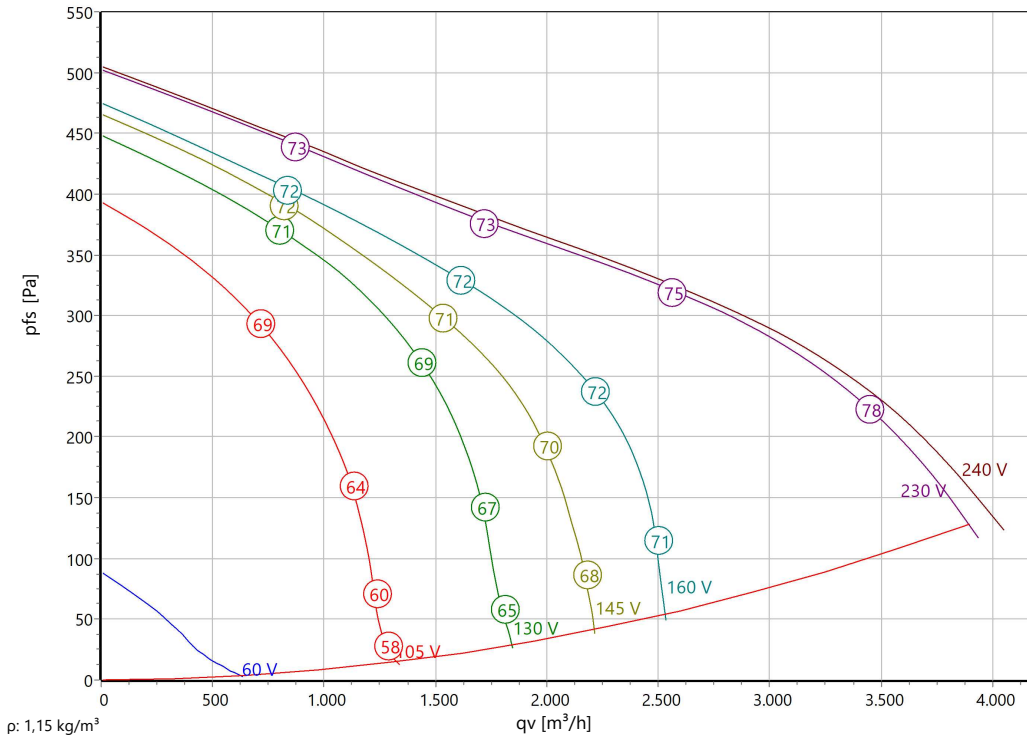


Type: **DRAE 251-4 L.5LA**

Part no.: C00-25117



Curve:



ErP-Data:

(EU) Nr. 327/2011	(Lot11)
qV	2077 m³/h
pfs	374 Pa
ηfs	36,6 %
Pe	0,59 kW
n	1416 r/min
N	44
v	10,1 m/s

Nominal Data:

U [V]	f [Hz]	C [μF]	Pe [kW]	IN [A]	nN [r/min]	tR [°C]	pfs,min [Pa]	IA / IN	IP	m [kg]
230	50	14	1	5	1270	-25 .. +40	150	2,8	IP 54	22,5

ΔI 1,2 %

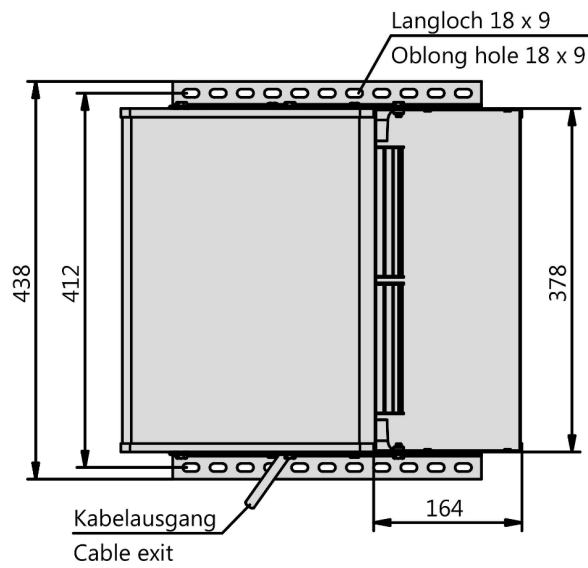
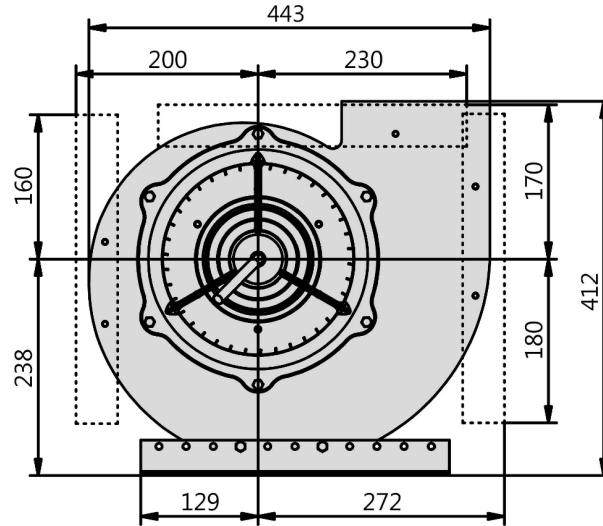
Sound Data:

Frequency	Σ	63Hz	125Hz	250Hz	500Hz	1kHz	2kHz	4kHz	8kHz	Distances	1 m	5 m
LwA(A,in) [dB(A)]	-2	-22	-14	-12	-9	-10	-13	-19	-14	LpA(A,in) [dB(A)]	-9	-20
LwA(A,out) [dB(A)]		-22	-13	-7	-4	-7	-9	-17	-11	LpA(A,out) [dB(A)]	-7	-18



Type: **DRAE 251-4 L.5LA**

Part no.: C00-25117





Type: **DRAE 251-4 L.5LA**
 Part no.: C00-25117

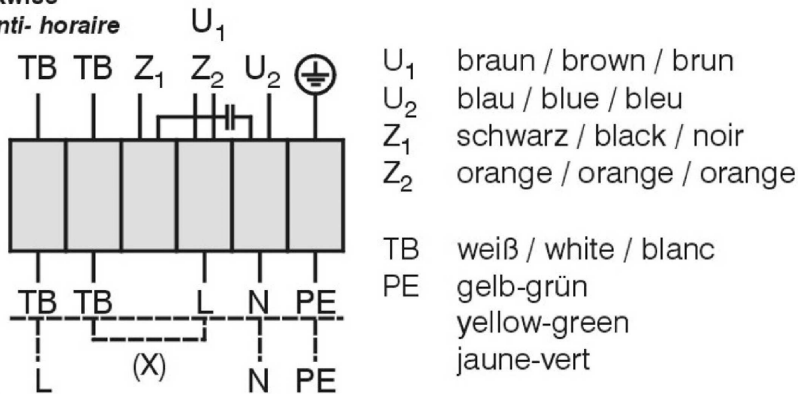


Einphasenwechselstrommotor mit Betriebskondensator und Thermostatschalter (TB). Bei Verwendung von RE Steuergeräten TB mit der Wicklung in Reihe schalten. Hierfür Brücke (x) einlegen und gestrichelt gezeichnete Anschlüsse belegen.

Single phase A.C. motor with operating capacitor and therostatic switch (TB). TB wired in series with windings if RE controllers are used. Insert bridge (x) and wire connections shon as dash-line on the drawing.

Moteur monophasé avec condensateur permanent et interrupteur thermostatique (TB) branché en série avec le bobinage en cas de branchement avec des régulateurs RE. Mettre un pont (x) et brancher toutes les connexions dessinées en hachuré.

Linkslauf
 anti-clockwise
 rotation anti-horaire



01.025

TK3-20003

AC-Centrifugal Fan double inlet

in scroll casing with forward curved impeller

Double inlet impeller made of galvanized steel sheet with forward curved blades. Due to the high number of blades results in a sound optimized and at the same time compact design. Fluidic optimized scroll casing made from galvanised sheet metal. Double inlet. Stands respectively casing mountable in all 90° positions. Motorized Impeller statically and dynamically balanced according to DIN ISO 21940-11 with quality level G2.5. Voltage controllable AC external rotor motor. Maintenance free ball bearings, closed on both sides with long-term lubrication. Motor coated black and/or die casted aluminum. Standard configuration with cable. Motor protection is guaranteed by thermal contacts, which are inlaid into the motor windings. These contacts protect the motor from being overloaded through phase failure, too high medium temperature or locked rotor. Isolation Class F.

Fan complies with the guidelines required (Machinery-, EMC- and Low Voltage Directive) to comply with installation and conformity declaration as well as CE marking. Standard version with UL approval.

Nominal Data:

Voltage
230 V
Frequency
50 Hz
Input power
1 kW
Current
5 A
Speed
1270 r/min
Medium temperature
40 °C
Protection Mode
IP 54
Weight
22,5 kg
Dimensions
443 mm / 378 mm / 412 mm

Contact:

Rosenberg Ventilatoren BV
Elandlaan 8
NL - 3734 CP Den Dolder
www.rosenberg.nl

Type:

DRAE 251-4 L.5LA

Article-No.:

C00-25117