

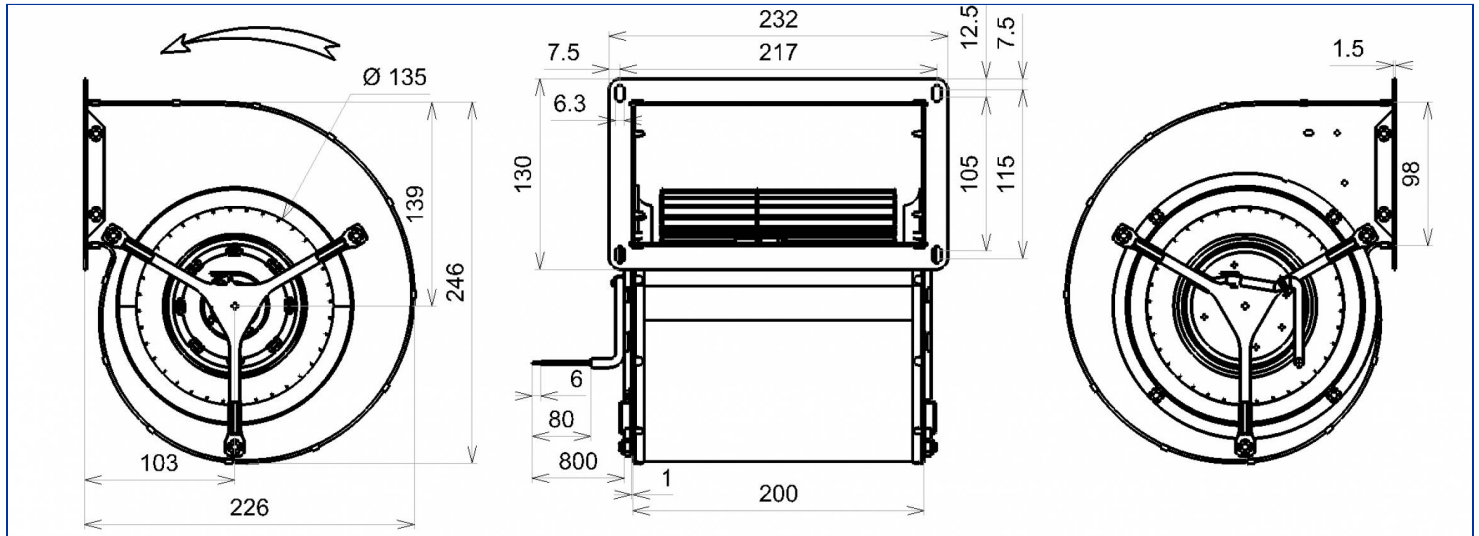


Designation **4GDS35 160x160L**

Range Double inlet centrifugal fans with single phase asynchronous motor

ELECTRICAL DATA

Speed		
Tension (V)	230	230
Frequency (Hz)	50	60
Current (A)	0.48	0.60
Maximum current (A)	0.53	0.66
Power (W)	110	136
Maximum power (W)	110	136
Rotation (RPM)	1085	1120
Cos Φ	0.996	0.986
Temperature min/max (°C)	-20/+70	-20/+70
Capacitor (µF)	3.00	3.00
U_condo (V)	400	400



MARKING & STANDARDS

Conformity

- CE
- UKCA

ECOFIT
4GDS35 160x160L
230V 50/60Hz CL.F. 3pF 400V
G. 480.0A.110/120V 1085/1120RPM IP44
BLACK-BROWN CAPACITOR
BLACK-BLUE SECTOR
I_{max}: 0.53/0.66 A



Thermally Protected 25-22-0000
Z18-24

The product is manufactured in accordance with EN 60335-1, and RoHS directive 2015/863/CE
IP class according to EN 60034-5 to be checked with operation and installation

Issued: 2023-02-07 at 09:44 Documentations and pictures are non contractual, all the data of the technical file and the drawing are subject to change.

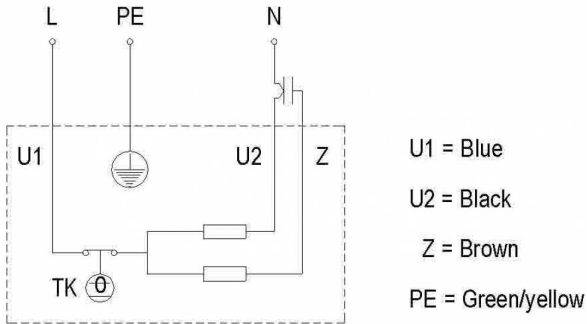
EN - Page 1 / 4

TECHNICAL DATA

Description

- Weight: 4.60 kg
- Without Condensat Drain Holes
- Class F
- Protection level: 44 | Protection against ingress of solid with diameter ≥ 1 mm / Protection against ingress of water : splashing
- Motor's protection T150° C Automatic reset
- Bearing type: 2 ball bearings 608ZZ
- Balance level: G2.5

Wiring diagram



Finishes

- Galvanized steel impeller
- Galvanized scroll and frame

The product is manufactured in accordance with EN 60335-1, and RoHS directive 2015/863/CE
IP class according to EN 60034-5 to be checked with operation and installation

Issued: 2023-02-07 at 09:44 Documentations and pictures are non contractual, all the data of the technical file and the drawing are subject to change.

EN - Page 2 / 4



by



ADDITIONAL DATA

Accessories

- 19012 | Capacitor
- 21325 | Finger guard

Documentations

- Operating and recycling manual
<http://www.ecofit.com/anglais/normes>

Measurement setup

- Scroll 15330-a VOL VVD200 ouie 135

ERP DATA

ErP Directive ErP (EU 2009/125/EC) not applicable:

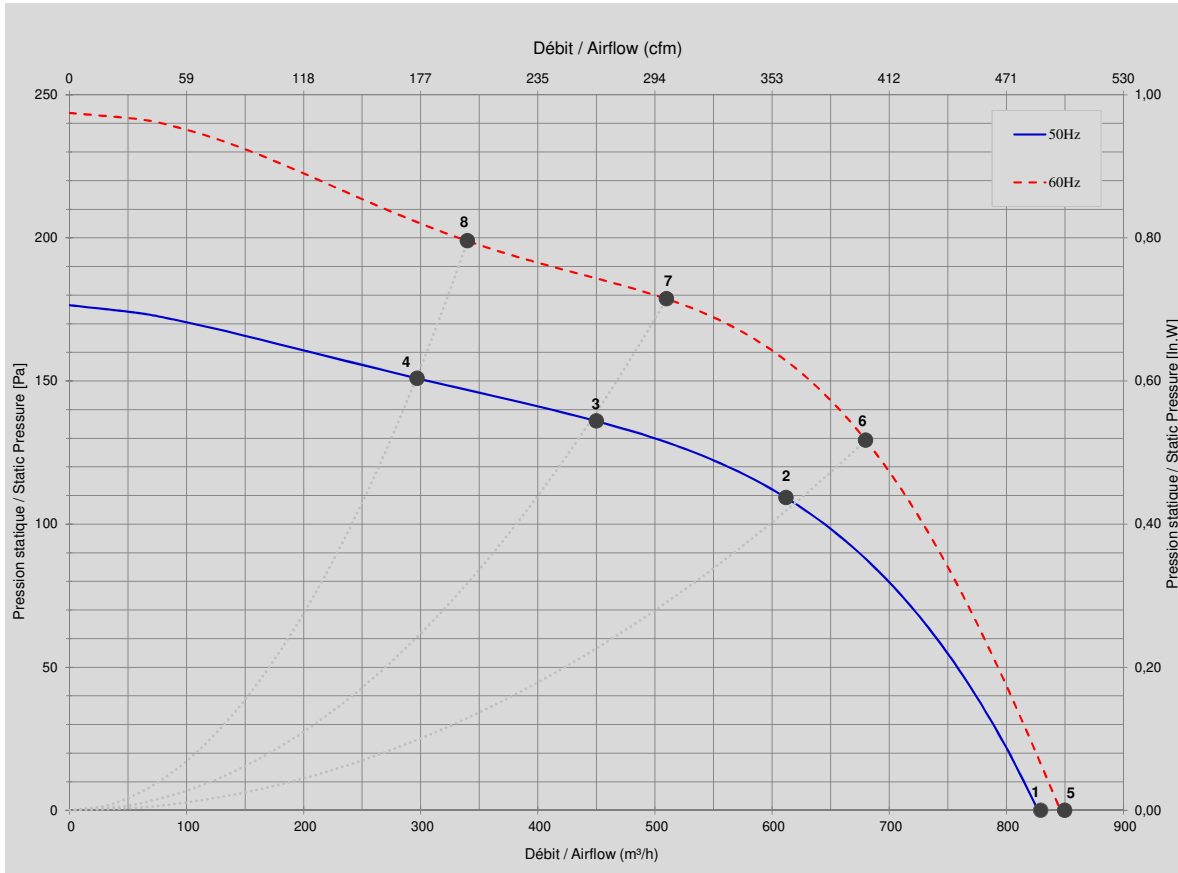
- Power at optimum energy efficiency point <125W

*The product is manufactured in accordance with EN 60335-1, and RoHS directive 2015/863/CE
IP class according to EN 60034-5 to be checked with operation and installation*

Issued: 2023-02-07 at 09:44 Documentations and pictures are non contractual, all the data of the technical file and the drawing are subject to change.

EN - Page 3 / 4

TECHNICAL DATA



Mesures / Measured Values *

	Un (V)	F (Hz)	C (µF)	P (W)	n (RPM)	Q (m³/h)	P (Pa)	Q (cfm)	P (In.W)	Lp _m (dBA)
1	230	50	3	110	1085	830	0	488	0,000	57,0
2	230	50	3	94	1260	612	109	360	0,437	55,0
3	230	50	3	85	1331	450	136	265	0,545	53,0
4	230	50	3	79	1376	297	151	175	0,605	53,0
5	230	60	3	136	1120	850	0	500	0,000	58,0
6	230	60	3	125	1377	680	129	400	0,518	57,0
7	230	60	3	115	1512	510	179	300	0,716	57,0
8	230	60	3	106	1590	340	199	200	0,797	56,0

* Air performance measured according to: ISO 5801, installation category C.
Intake-side sound level: according to ISO 3744, LpA measured at 1 m distance from fan axis. The values given are only applicable under the specified measuring conditions and may differ depending on the installation conditions. In the event of deviation

The product is manufactured in accordance with EN 60335-1, and RoHS directive 2015/863/CE
IP class according to EN 60034-5 to be checked with operation and installation