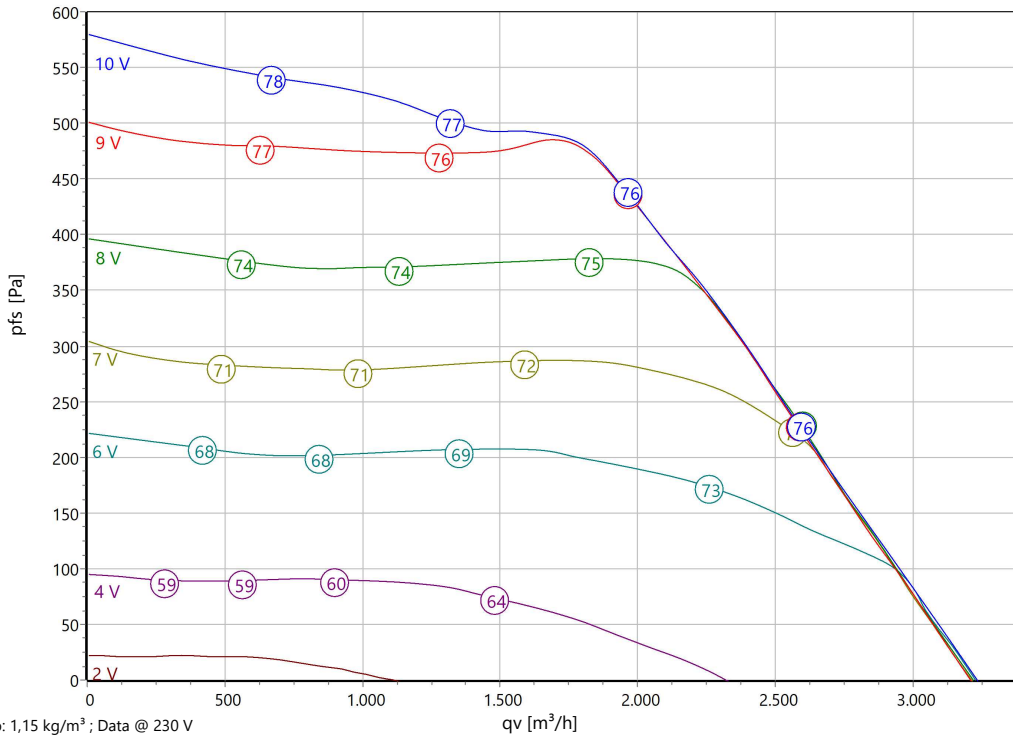




Type: **DRAG 249.4FF**
Part no.: C52-24900



Curve:



ErP-Data:

| | (EU) Nr. 327/2011 | (Lot11) |
|------------------|-------------------|---------|
| qV | 2033 | m³/h |
| pf | 482 | Pa |
| η _{tot} | 57,5 | % |
| Ped | 0,526 | kW |
| n | 1476 | r/min |
| N | 66 | |
| v | 10,9 | m/s |

Nominal Data:

| U [V] | f [Hz] | Data @ [V] | Ped [kW] | IN [A] | nN [r/min] | tR [°C] | k10 [m²s/h] | Eff.-Rating | IP | m [kg] |
|-----------|--------|------------|----------|--------|------------|------------|-------------|-------------|-------|--------|
| 1~200-277 | 50/60 | 230 | 0,52 | 2,3 | 1700 | -25 .. +40 | - | IE4 | IP 54 | 15 |

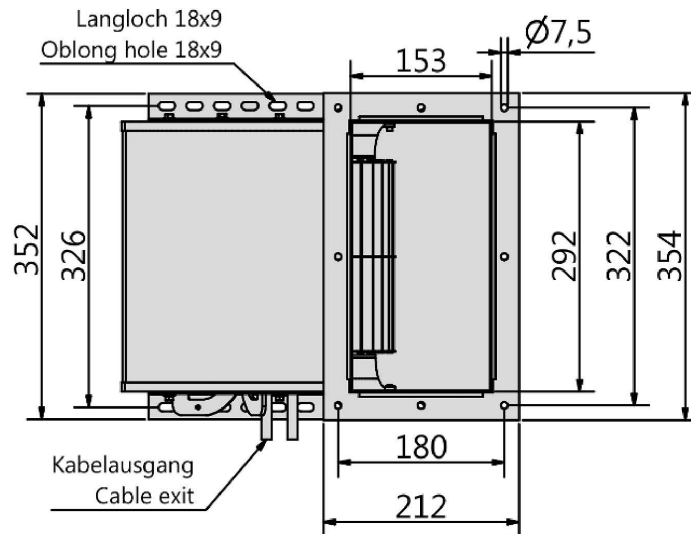
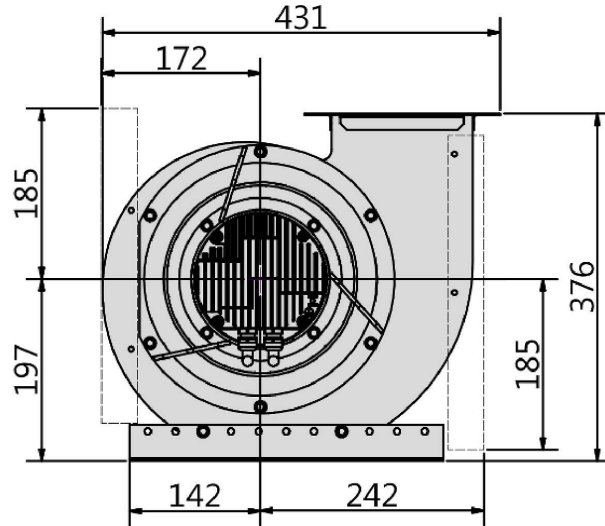
Sound Data:

| Frequency | Σ | 63Hz | 125Hz | 250Hz | 500Hz | 1kHz | 2kHz | 4kHz | 8kHz | Distances | 1 m | 5 m |
|--------------------|----|------|-------|-------|-------|------|------|------|------|--------------------|-----|-----|
| LwA(A,in) [dB(A)] | -3 | -30 | -15 | -14 | -9 | -8 | -10 | -14 | -23 | LpA(A,in) [dB(A)] | -10 | -21 |
| LwA(A,out) [dB(A)] | | -29 | -19 | -9 | -7 | -5 | -6 | -11 | -18 | LpA(A,out) [dB(A)] | -7 | -18 |



Type: **DRAG 249.4FF**

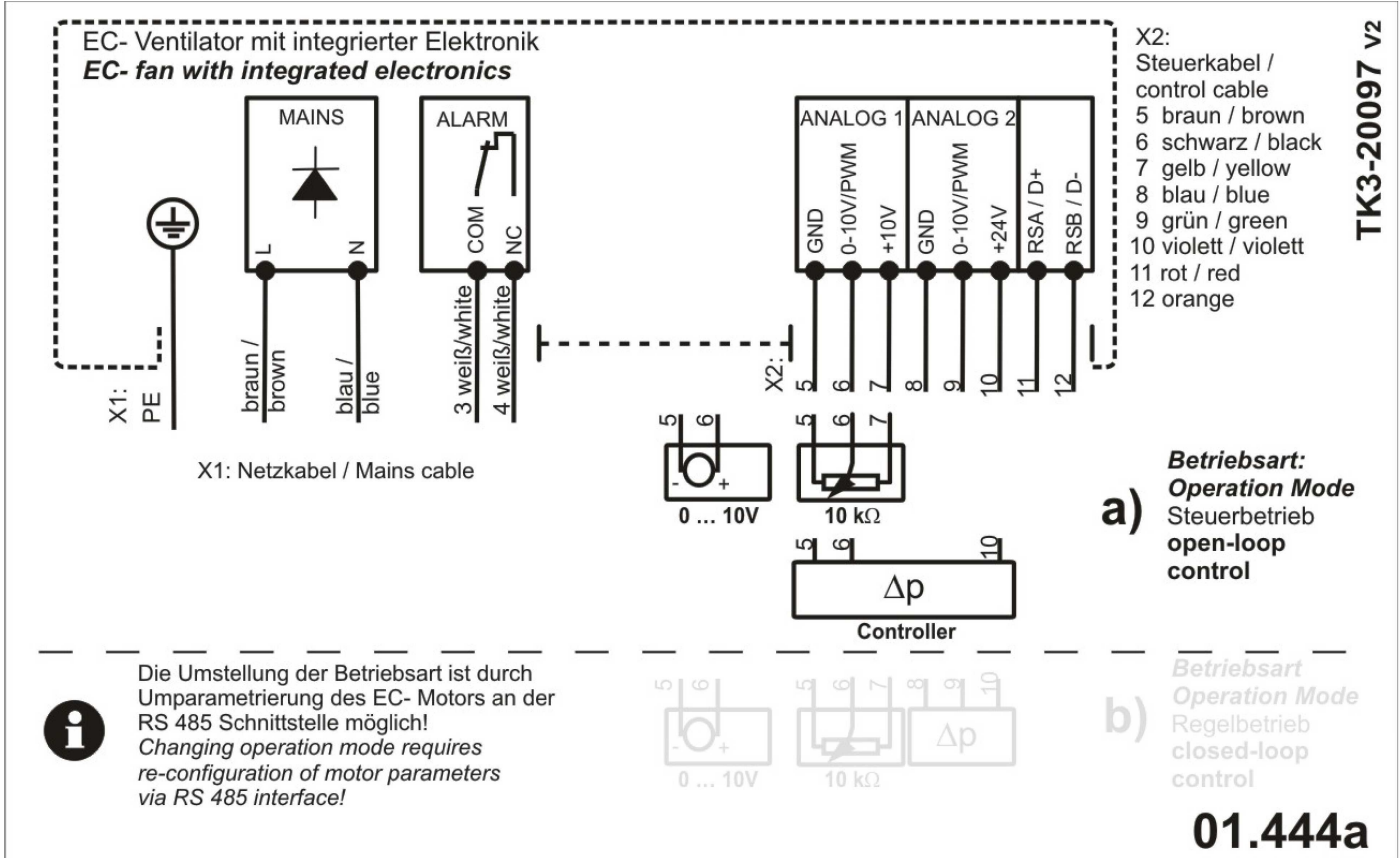
Part no.: C52-24900





Type: **DRAG 249.4FF**

Part no.: C52-24900



EC-Centrifugal Fan

in scroll casing with forward curved impeller

Double inlet impeller made of galvanized steel sheet with forward curved blades. Due to the high number of blades results in a sound optimized and at the same time compact design. Fluidic optimized scroll casing made from galvanized sheet metal. Double inlet. Stands respectively casing mountable in all 90° positions. Motorized Impeller statically and dynamically balanced according to DIN ISO 21940-11 with quality level G2.5. Energy saving EC external-rotor motor exceeds IE4 / Super Premium Efficiency. Maintenance free ball bearings, closed on both sides with long-term lubrication. Magnets without rare earth elements. Motor coated black and/or die casted aluminum. Protection Class IP54. 1-phase types with cable for supply and controlling and integrated active PFC (Power Factor Correction). 3-phase types with integrated terminal box and environmental resistant cable glands (3x M20x1,5). 100% speed controllable with integrated Motor Protection. ModBus RTU Interface integrated. Busconfiguration possible on site by customer. Soft Start. Potential-free Alarm Contact and integrated 24V Supply for Accessories. Applicable in all common energy grids. Low noise commutation.

Fan complies with the guidelines required (Machinery-, EMC- and Low Voltage Directive) to comply with installation and conformity declaration as well as CE marking. Standard version with UL approval.

Nominal Data:

Voltage

1~200-277 V

Frequency

50/60 Hz

Input power

0,52 kW

Current

2,3 A

Speed

1700 r/min

Medium temperature

40 °C

Protection Mode

IP 54

Efficiency Class

IE4

Weight

15 kg

Dimensions

431 mm / 352 mm / 376 mm

Contact:

Rosenberg Ventilatoren BV

Elandlaan 8

NL - 3734 CP Den Dolder

www.rosenberg.nl

Type:

DRAG 249.4FF

Article-No.:

C52-24900
