

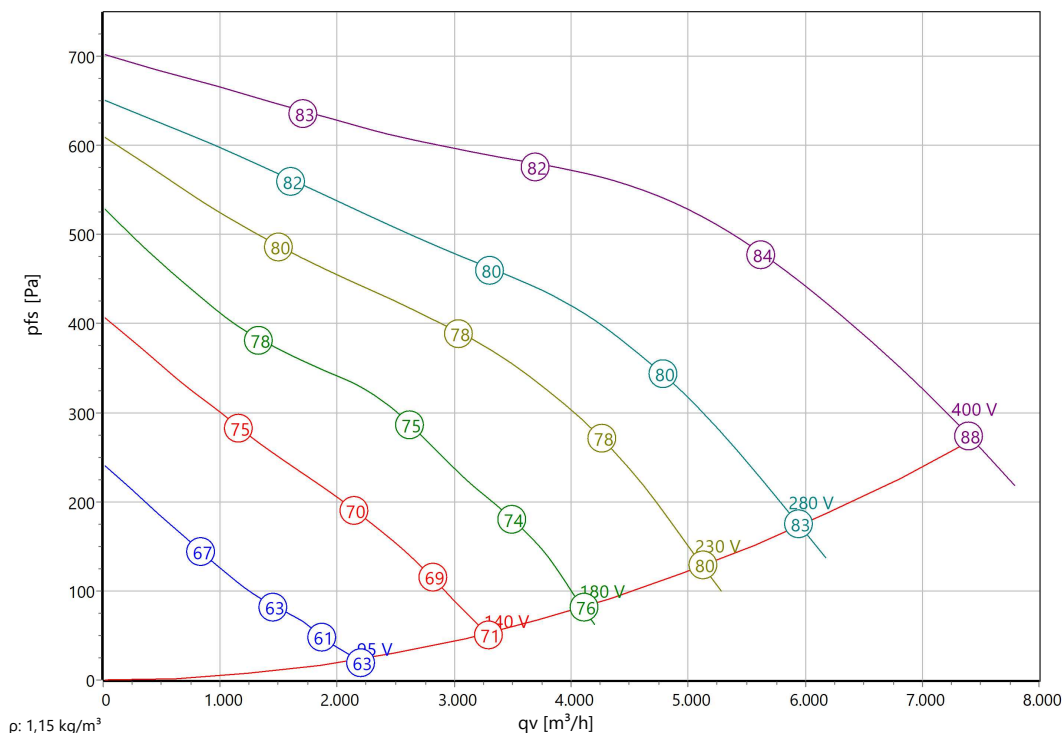


Type: **DRAD 314-4.6NA**

Part no.: C00-31440



**Curve:**



**ErP-Data:**

(EU) Nr. 327/2011	(Lot11)
qV	4208 m³/h
pfs	595 Pa
$\eta_{fs}$	44,8 %
Pe	1,55 kW
n	1351 r/min
N	50
v	11,5 m/s

**Nominal Data:**

U [V]	f [Hz]	C [ $\mu$ F]	Pe [kW]	IN [A]	nN [r/min]	tR [°C]	pfs,min [Pa]	IA / IN	IP	m [kg]
400 D	50	-	2,7	4,6	1200	-25 .. +40	280	2,8	IP 54	46

**Sound Data:**

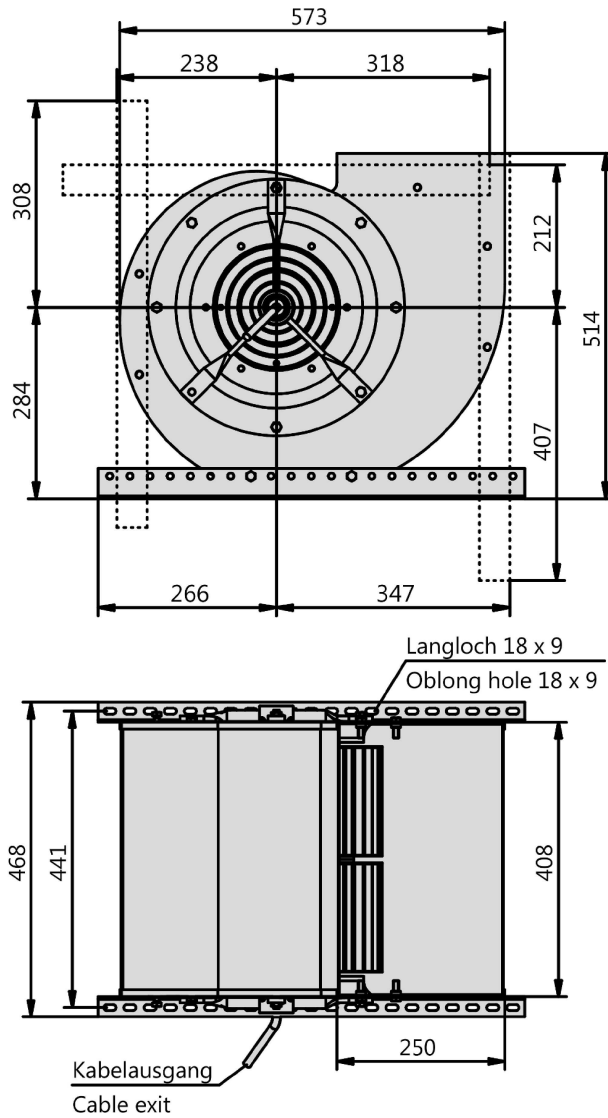
Frequency	$\Sigma$	125Hz	250Hz	500Hz	1kHz	2kHz	4kHz	8kHz	Distances	1 m	5 m
LwA(B,in) [dB(A)]	-4	-24	-19	-15	-8	-9	-13	-18	LpA(B,in) [dB(A)]	-11	-22
LwA(B,out) [dB(A)]		-23	-15	-9	-4	-6	-8	-15	LpA(B,out) [dB(A)]	-7	-18

Note: on electr. control: dPst=300Pa, dl=4%



Type: **DRAD 314-4.6NA**

Part no.: C00-31440





Type: **DRAD 314-4.6NA**  
 Part no.: C00-31440

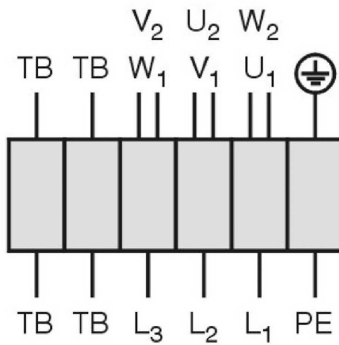


Drehstrommotor in  $\Delta$ -Schaltung mit Thermostatschalter (TB).  
 Drehrichtungsänderung durch Vertauschen von 2 Phasen.

**Three phase motor in delta connection with thermostatic switch (TB). Changing of rotation direction by interchanging of 2 phases.**

**Moteur triphasé branché en triangle avec interrupteur thermostatique (TB). Changement de sens de rotation par inversion de deux phases.**

TK3-20004



- U<sub>1</sub> braun / brown / brun
- V<sub>1</sub> blau / blue / bleu
- W<sub>1</sub> schwarz / black / noir
- U<sub>2</sub> rot / red / rouge
- V<sub>2</sub> grau / grey / gris
- W<sub>2</sub> orange / orange / orange
- TB weiß / white / blanc
- PE gelb-grün  
yellow-green  
jaune-vert

01.006

### **AC-Centrifugal Fan double inlet**

in scroll casing with forward curved impeller

Double inlet impeller made of galvanized steel sheet with forward curved blades. Due to the high number of blades results in a sound optimized and at the same time compact design. Fluidic optimized scroll casing made from galvanized sheet metal. Double inlet. Stands respectively casing mountable in all 90° positions. Motorized Impeller statically and dynamically balanced according to DIN ISO 21940-11 with quality level G2.5. Voltage controllable AC external rotor motor. Maintenance free ball bearings, closed on both sides with long-term lubrication. Motor coated black and/or die casted aluminum. Standard configuration with cable. Motor protection is guaranteed by thermal contacts, which are inlaid into the motor windings. These contacts protect the motor from being overloaded through phase failure, too high medium temperature or locked rotor. Isolation Class F.

Fan complies with the guidelines required (Machinery-, EMC- and Low Voltage Directive) to comply with installation and conformity declaration as well as CE marking. Standard version with UL approval.

### **Nominal Data:**

Voltage  
400 D V  
Frequency  
50 Hz  
Input power  
2,7 kW  
Current  
4,6 A  
Speed  
1200 r/min  
Medium temperature  
40 °C  
Protection Mode  
IP 54  
Weight  
46 kg  
Dimensions  
573 mm / 408 mm / 514 mm

### **Contact:**

Rosenberg Ventilatoren BV  
Elandlaan 8  
NL - 3734 CP Den Dolder  
[www.rosenberg.nl](http://www.rosenberg.nl)

### **Type:**

DRAD 314-4.6NA

### **Article-No.:**

C00-31440