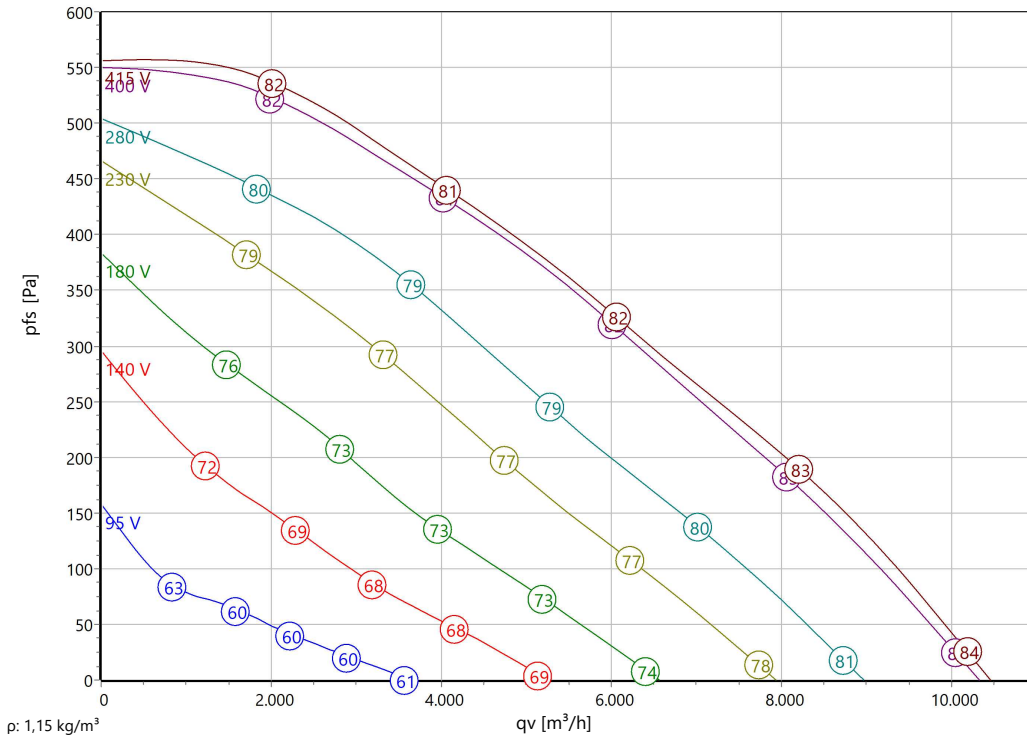


Type: **DHAD 400-4.5LA**

Part no.: C31-40050



Curve:



ErP-Data:

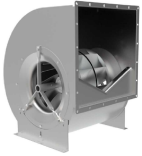
	(EU) Nr. 327/2011	(Lot11)
qV	5099	m³/h
pf	412	Pa
ηtot	55,6	%
Pe	1,05	kW
n	1345	r/min
N	66	
v	5,67	m/s

Nominal Data:

U [V]	f [Hz]	C [μF]	Pe [kW]	IN [A]	nN [r/min]	tR [°C]	k10 [m²s/h]	IA / IN	IP	m [kg]
400 D	50	-	1,23	2,44	1315	-25 .. +50	-	3,1	IP 54	42

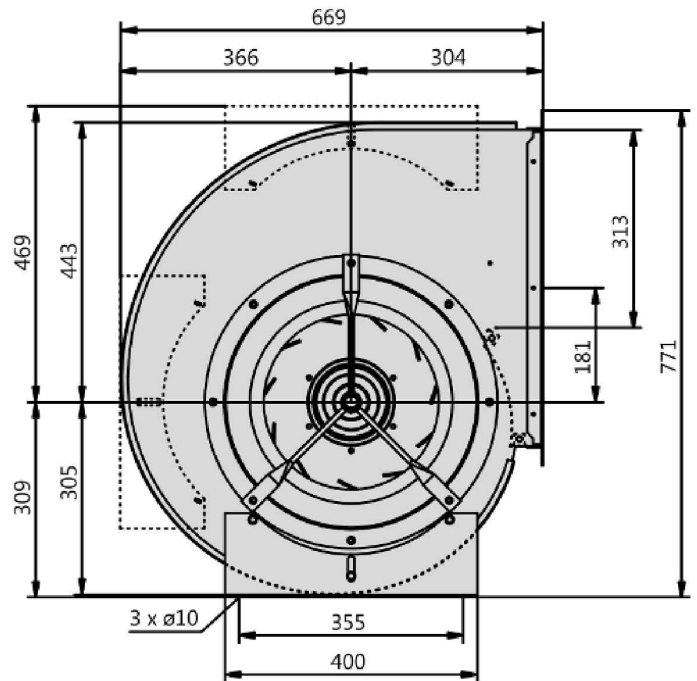
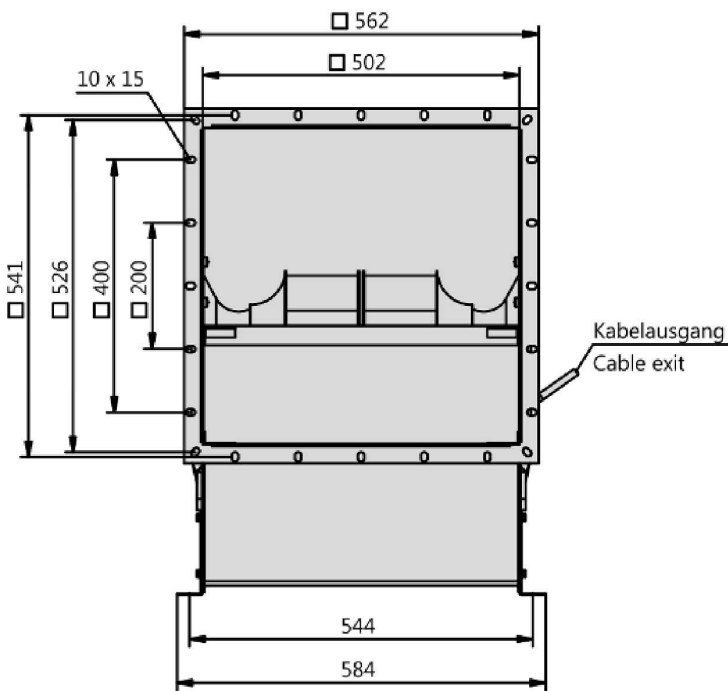
Sound Data:

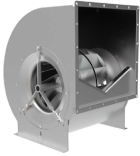
Frequency	Σ	125Hz	250Hz	500Hz	1kHz	2kHz	4kHz	8kHz	Distances	1 m	5 m
LwA(B,in) [dB(A)]	-6	-26	-13	-11	-12	-13	-23	-30	LpA(B,in) [dB(A)]	-13	-24
LwA(A,out) [dB(A)]		-23	-9	-7	-3	-9	-19	-27	LpA(A,out) [dB(A)]	-7	-18



Type: **DHAD 400-4.5LA**

Part no.: C31-40050





Type: **DHAD 400-4.5LA**
 Part no.: C31-40050

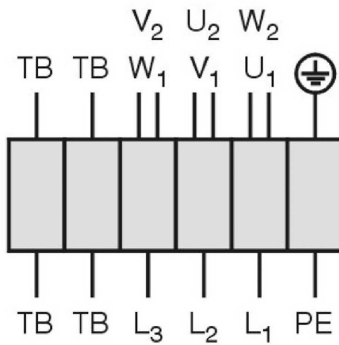


Drehstrommotor in Δ -Schaltung mit Thermostatschalter (TB).
 Drehrichtungsänderung durch Vertauschen von 2 Phasen.

Three phase motor in delta connection with thermostatic switch (TB). Changing of rotation direction by interchanging of 2 phases.

Moteur triphasé branché en triangle avec interrupteur thermostatique (TB). Changement de sens de rotation par inversion de deux phases.

TK3-20004



- U₁ braun / brown / brun
- V₁ blau / blue / bleu
- W₁ schwarz / black / noir
- U₂ rot / red / rouge
- V₂ grau / grey / gris
- W₂ orange / orange / orange
- TB weiß / white / blanc
- PE gelb-grün
yellow-green
jaune-vert

01.006

AC-Centrifugal Fan double inlet

in scroll casing with backward curved impeller

Impeller made of aluminum (AlMg3) with backward curved blades. Fluidic optimized inlet cone made of galvanized sheet metal. Fluidic optimized scroll casing made from galvanised sheet metal. Double inlet. Stands respectively casing mountable in all 90° positions. Motorized Impeller statically and dynamically balanced according to DIN ISO 21940-11 with quality level G2.5. Voltage controllable AC external rotor motor. Maintenance free ball bearings, closed on both sides with long-term lubrication. Motor coated black and/or die casted aluminum. Standard configuration with cable. Motor protection is guaranteed by thermal contacts, which are inlaid into the motor windings. These contacts protect the motor from being overloaded through phase failure, too high medium temperature or locked rotor. Isolation Class F.

Fan complies with the guidelines required (Machinery-, EMC- and Low Voltage Directive) to comply with installation and conformity declaration as well as CE marking. UL approval available on request.

Nominal Data:

Voltage
400 D V
Frequency
50 Hz
Input power
1,23 kW
Current
2,44 A
Speed
1315 r/min
Medium temperature
50 °C
Protection Mode
IP 54
Weight
42 kg
Dimensions
669 mm / 562 mm / 771 mm

Contact:

Rosenberg Ventilatoren BV
Elandlaan 8
NL - 3734 CP Den Dolder
www.rosenberg.nl

Type:

DHAD 400-4.5LA

Article-No.:

C31-40050