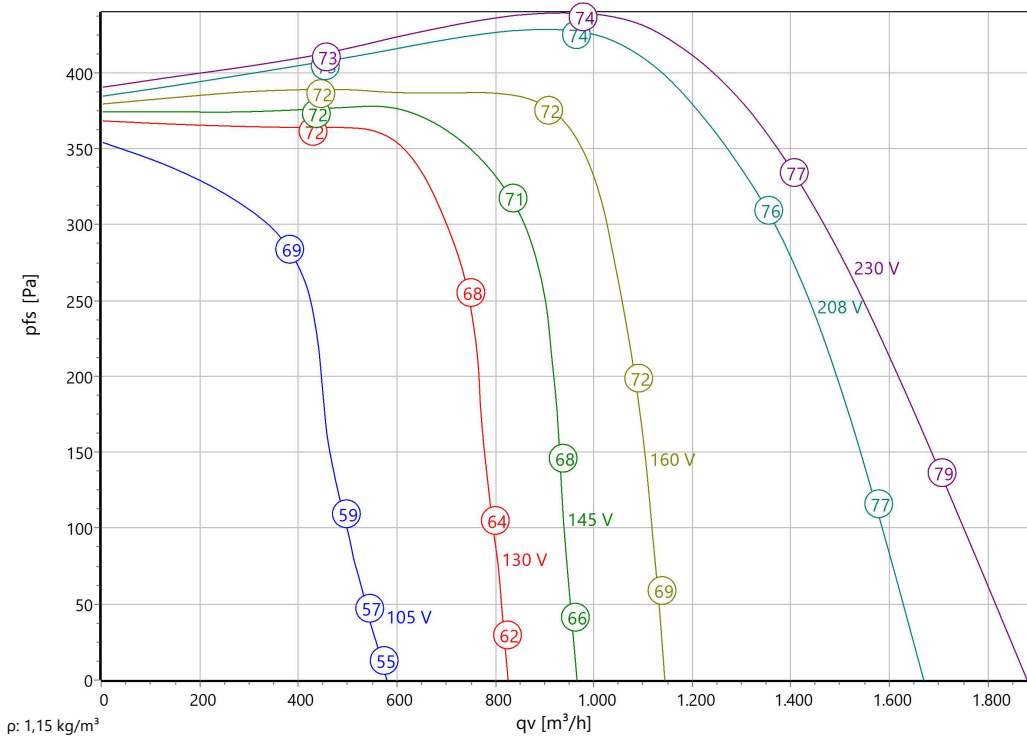


Type: **ERAE 279-4.5HA IE**
Part no.: B20-27903



Curve:



ErP-Data:

(EU) Nr. 327/2011	(Lot11)	
qV	1409	m³/h
pfs	457	Pa
ηfs	37,3	%
Pe	0,37	kW
n	1079	r/min
N	46	
v	16,3	m/s

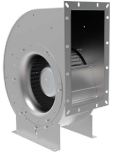
Nominal Data:

U [V]	f [Hz]	C [μF]	Pe [kW]	IN [A]	nN [r/min]	tR [°C]	k10 [m²s/h]	IA / IN	IP	m [kg]
1~230	50	10	0,69	3,23	1190	-25 .. +40	-	1,6	IP 54	15

ΔI 4 %

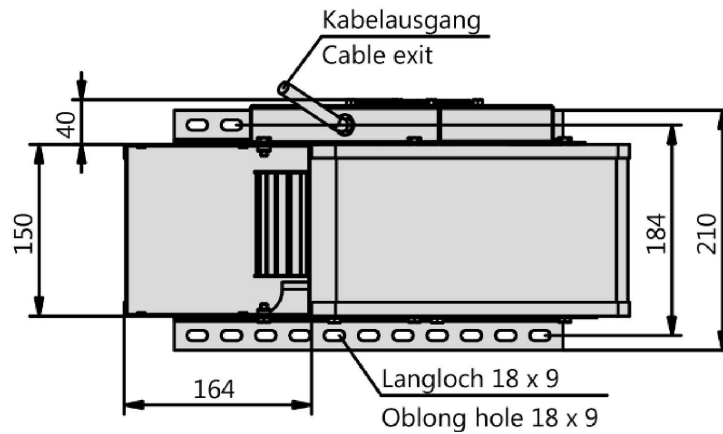
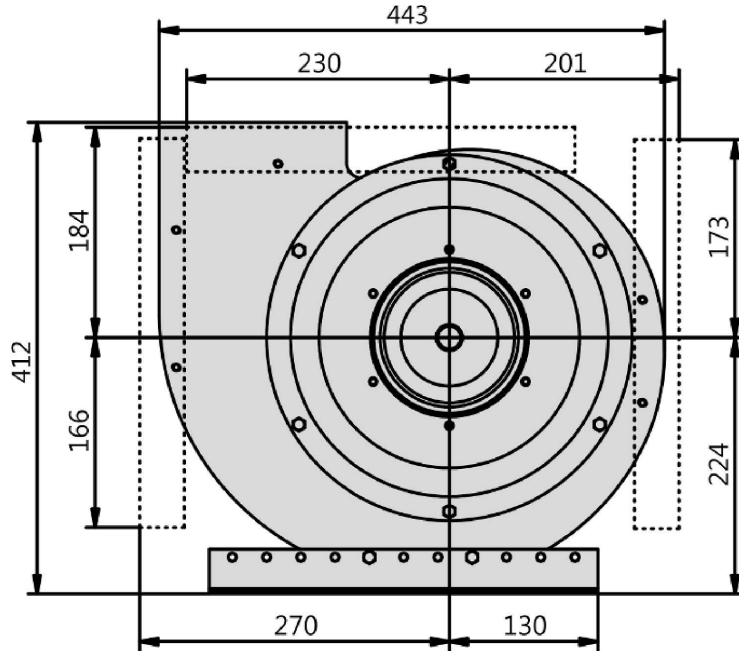
Sound Data:

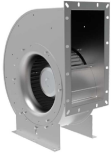
Frequency	Σ	125Hz	250Hz	500Hz	1kHz	2kHz	4kHz	8kHz	Distances	1 m	4 m
LwA(B,in) [dB(A)]	-3	-23	-14	-12	-7	-10	-11	-18	LpA(B,in) [dB(A)]	-10	-20
LwA(B,out) [dB(A)]		-22	-13	-7	-6	-5	-7	-15	LpA(B,out) [dB(A)]	-7	-17



Type: **ERAE 279-4.5HA IE**

Part no.: B20-27903





Type: **ERAE 279-4.5HA IE**
 Part no.: B20-27903

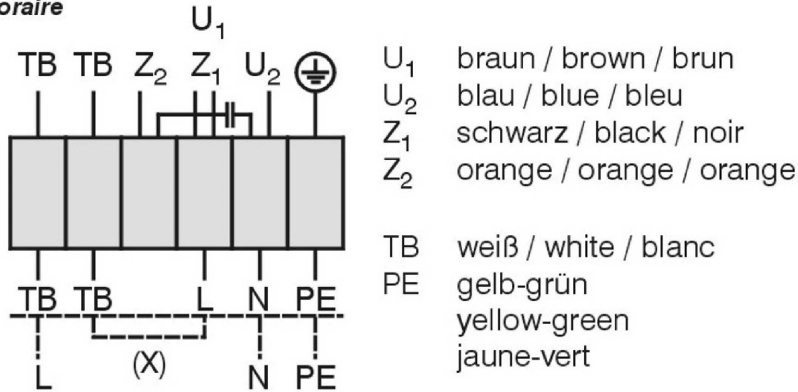


Einphasenwechselstrommotor mit Betriebskondensator und Thermostatschalter.
 Bei Verwendung von RE Steuergeräten TB mit der Wicklung in Reihe schalten.
 Hierfür Brücke (x) einlegen und gestrichelt gezeichnete Anschlüsse belegen.

Single phase A.C. motor with operating capacitor and thermostatic switch.
Thermostatic switch wired in series with windings if RE controllers are used.
Insert bridge (x) and wire connections shown as dash-line on the drawing.

Moteur monophasé avec condensateur permanent et interrupteur thermo-
statique branché en série avec le bobinage en cas de branchement avec des
régulateurs RE. Mettre un pont (x) et brancher toutes les connexions
dessinées en hachuré.

Rechtslauf
 clockwise
 rotation horaire



TK3-20010

01.024

AC-Centrifugal Fan single inlet

in scroll casing with forward curved impeller

Single inlet impeller made of galvanized steel sheet with forward curved blades. Due to the high number of blades results in a sound optimized and at the same time compact design. Fluidic optimized scroll casing made from galvanised sheet metal. Single inlet. Stands respectively casing mountable in all 90° positions. Motorized Impeller statically and dynamically balanced according to DIN ISO 21940-11 with quality level G2.5. Voltage controllable AC external rotor motor. Maintenance free ball bearings, closed on both sides with long-term lubrication. Motor coated black and/or die casted aluminum. Standard configuration with cable. Motor protection is guaranteed by thermal contacts, which are inlaid into the motor windings. These contacts protect the motor from being overloaded through phase failure, too high medium temperature or locked rotor. Isolation Class F.

Fan complies with the guidelines required (Machinery-, EMC- and Low Voltage Directive) to comply with installation and conformity declaration as well as CE marking. Standard version with UL approval.

Nominal Data:

Voltage

1~230 V

Frequency

50 Hz

Input power

0,69 kW

Current

3,23 A

Speed

1190 r/min

Medium temperature

40 °C

Protection Mode

IP 54

Weight

15 kg

Dimensions

443 mm / 191 mm / 412 mm

Contact:

Rosenberg Ventilatoren BV

Elandlaan 8

NL - 3734 CP Den Dolder

www.rosenberg.nl

Type:

ERAE 279-4.5HA IE

Article-No.:

B20-27903