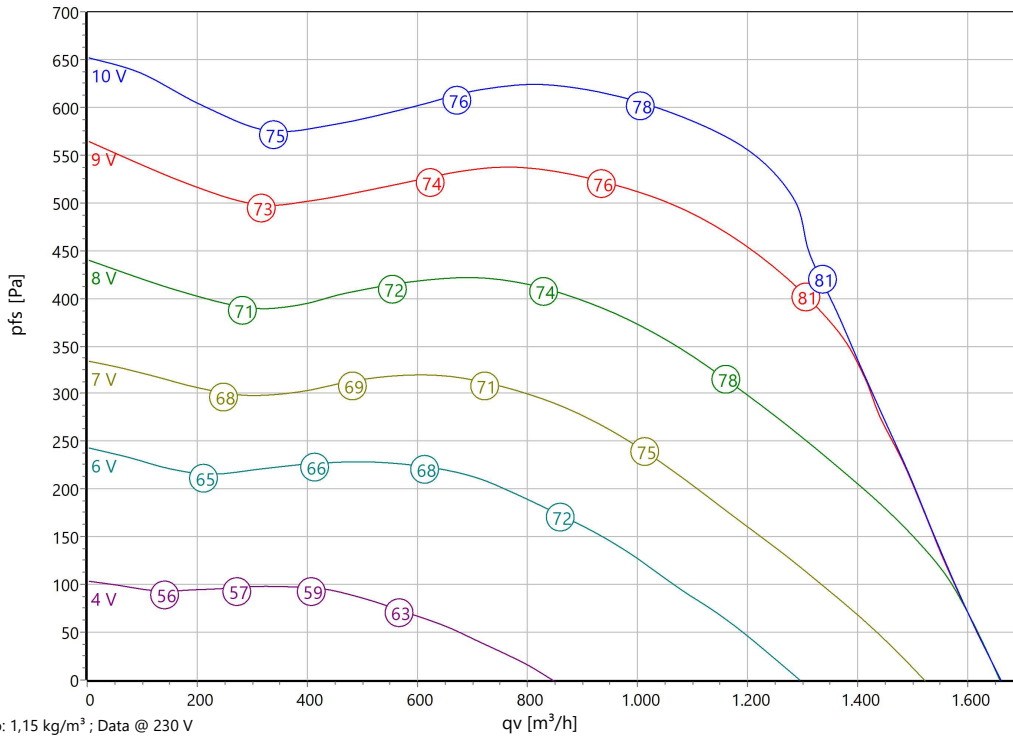


Type: **ERAG 180.4EA B HP**
Part no.: B11-18019



Curve:



ErP-Data:

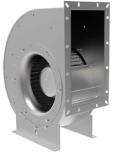
(EU) Nr. 327/2011	(Lot11)
qV	815 m³/h
pf	661 Pa
ηtot	50,9 %
Ped	0,332 kW
n	2529 r/min
N	60
v	8,06 m/s

Nominal Data:

U [V]	f [Hz]	Data @ [V]	Ped [kW]	IN [A]	nN [r/min]	tR [°C]	k10 [m²s/h]	Eff.-Rating	IP	m [kg]
1~200-277	50/60	230	0,53	2,33	2520	-25 .. +40	-	IE4	IP 54	8

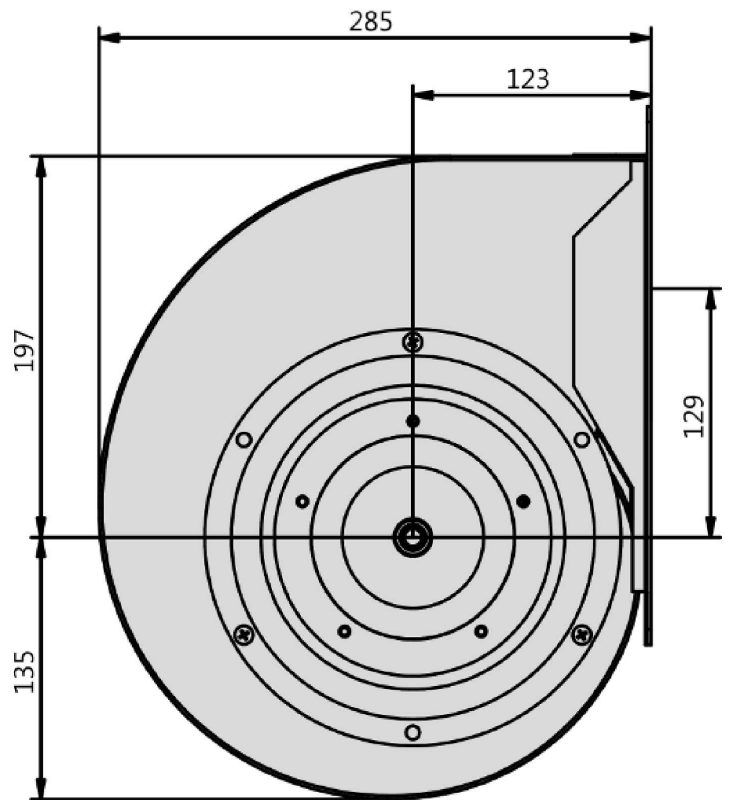
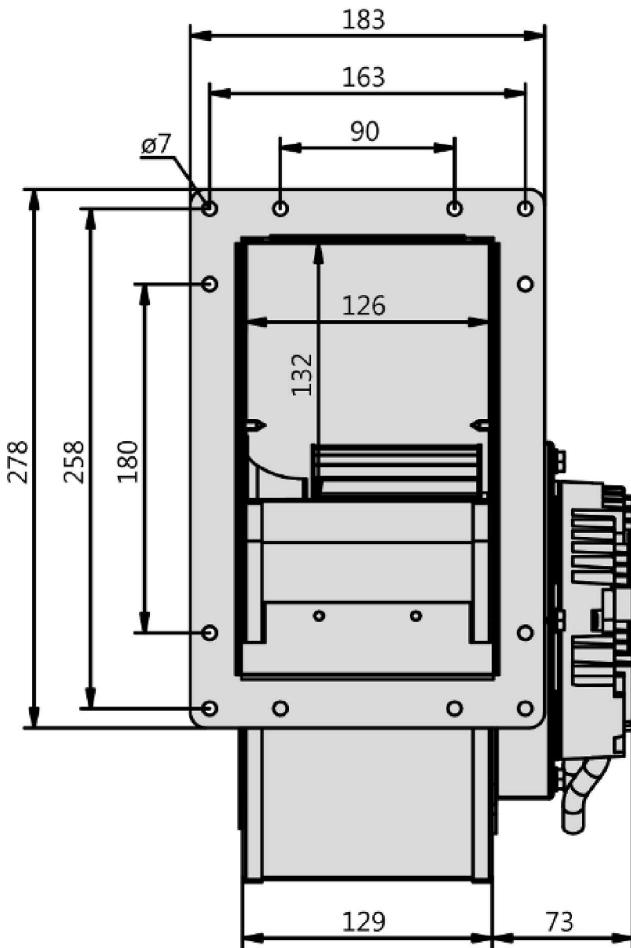
Sound Data:

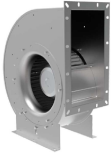
Frequency	Σ	63Hz	125Hz	250Hz	500Hz	1kHz	2kHz	4kHz	8kHz	Distances	1 m	4 m
LwA(B,in) [dB(A)]	-2	-44	-20	-14	-14	-10	-6	-9	-12	LpA(B,in) [dB(A)]	-9	-19
LwA(B,out) [dB(A)]		-33	-22	-14	-9	-6	-5	-8	-10	LpA(B,out) [dB(A)]	-7	-17



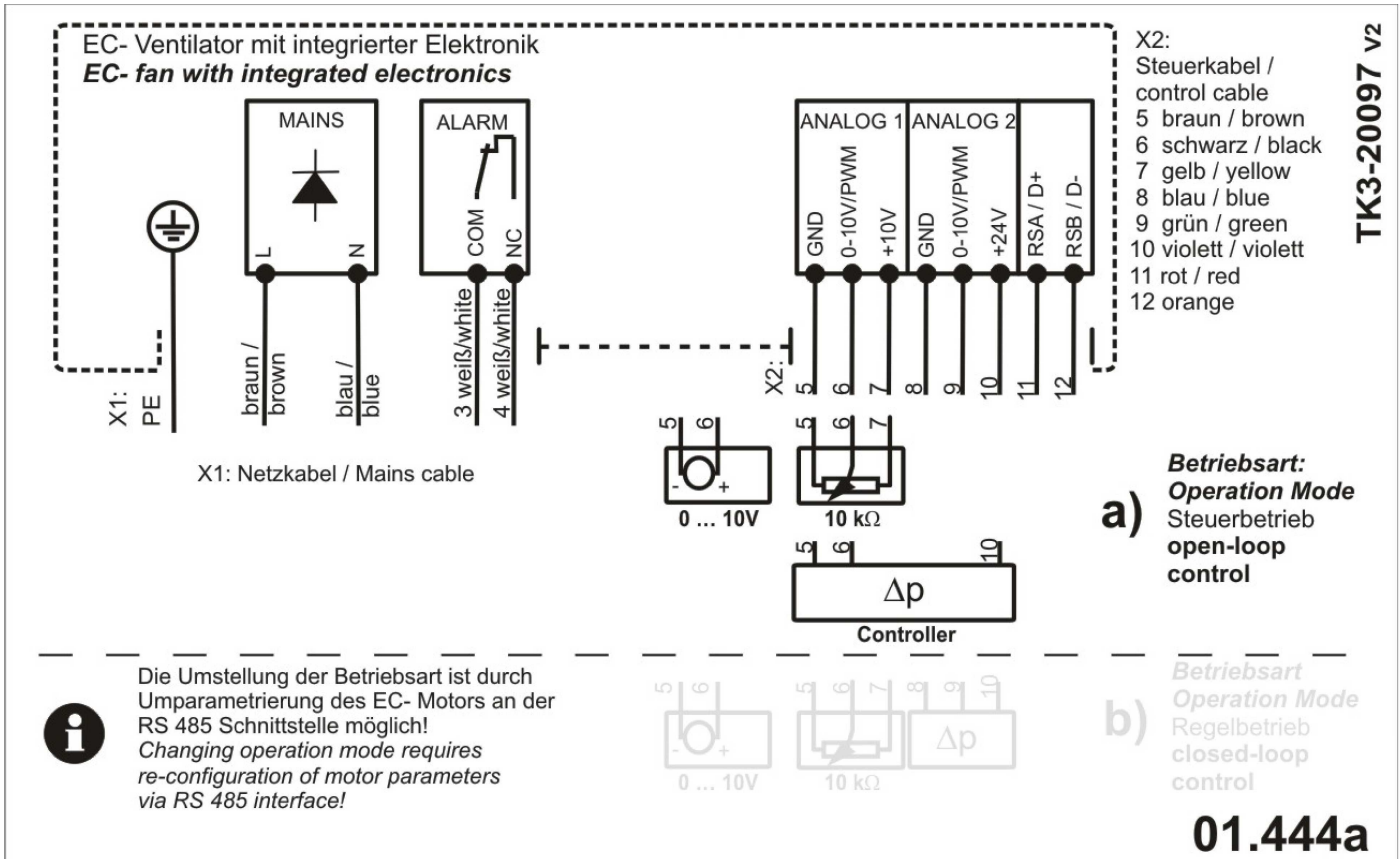
Type: **ERAG 180.4EA B HP**

Part no.: B11-18019





Type: **ERAG 180.4EA B HP**
 Part no.: B11-18019



EC-Centrifugal Fan

in scroll casing with forward curved impeller

Single inlet impeller made of galvanized steel sheet with forward curved blades. Due to the high number of blades results in a sound optimized and at the same time compact design. Fluidic optimized scroll casing made from galvanised sheet metal. Single inlet. Stands respectively casing mountable in all 90° positions. Motorized Impeller statically and dynamically balanced according to DIN ISO 21940-11 with quality level G2.5. Energy saving EC external-rotor motor exceeds IE4 / Super Premium Efficiency. Maintenance free ball bearings, closed on both sides with long-term lubrication. Magnets without rare earth elements. Motor coated black and/or die casted aluminum. Protection Class IP54. 1-phase types with cable for supply and controlling and integrated active PFC (Power Factor Correction). 3-phase types with integrated terminal box and environmental resistant cable glands (3x M20x1,5). 100% speed controllable with integrated Motor Protection. ModBus RTU Interface integrated. Busconfiguration possible on site by customer. Soft Start. Potential-free Alarm Contact and integrated 24V Supply for Accessories. Applicable in all common energy grids. Low noise commutation.

Fan complies with the guidelines required (Machinery-, EMC- and Low Voltage Directive) to comply with installation and conformity declaration as well as CE marking. Standard version with UL approval.

Nominal Data:

Voltage

1~200-277 V

Frequency

50/60 Hz

Input power

0,53 kW

Current

2,33 A

Speed

2520 r/min

Medium temperature

40 °C

Protection Mode

IP 54

Efficiency Class

IE4

Weight

8 kg

Dimensions

285 mm / 197 mm / 332 mm

Contact:

Rosenberg Ventilatoren BV

Elandlaan 8

NL - 3734 CP Den Dolder

www.rosenberg.nl

Type:

ERAG 180.4EA B HP

Article-No.:

B11-18019
