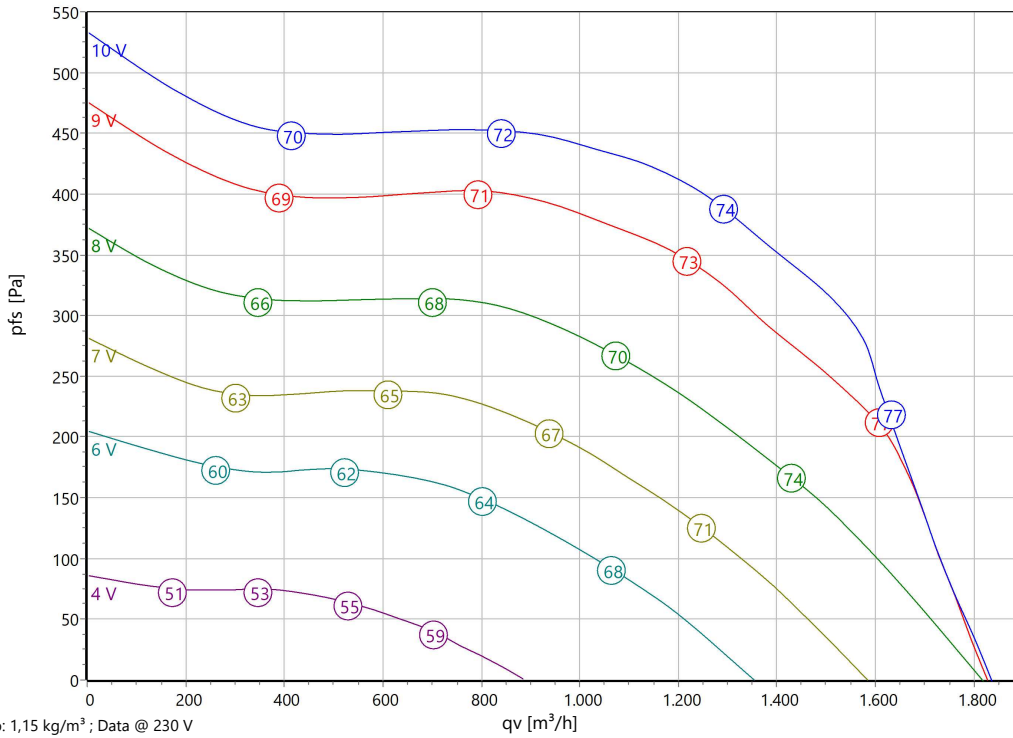


Type: **ERAG 200.4EA HP**
Part no.: B11-20005



Curve:



p: 1,15 kg/m³ ; Data @ 230 V

ErP-Data:

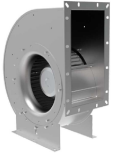
	(EU) Nr. 327/2011	(Lot11)
qV	1071	m³/h
pf	532	Pa
ηtot	54,2	%
Ped	0,328	kW
n	2000	r/min
N	64	
v	13,3	m/s

Nominal Data:

U [V]	f [Hz]	Data @ [V]	Ped [kW]	IN [A]	nN [r/min]	tR [°C]	k10 [m²s/h]	Eff.-Rating	IP	m [kg]
1~200-277	50/60	230	0,53	2,3	2000	-25 .. +40	-	IE4	IP 54	9

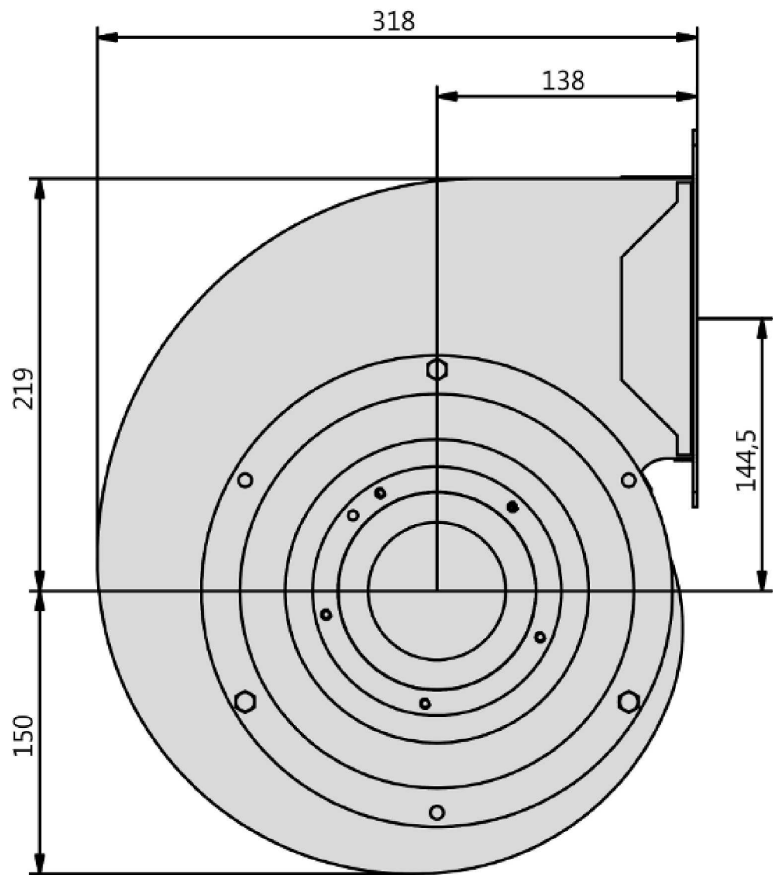
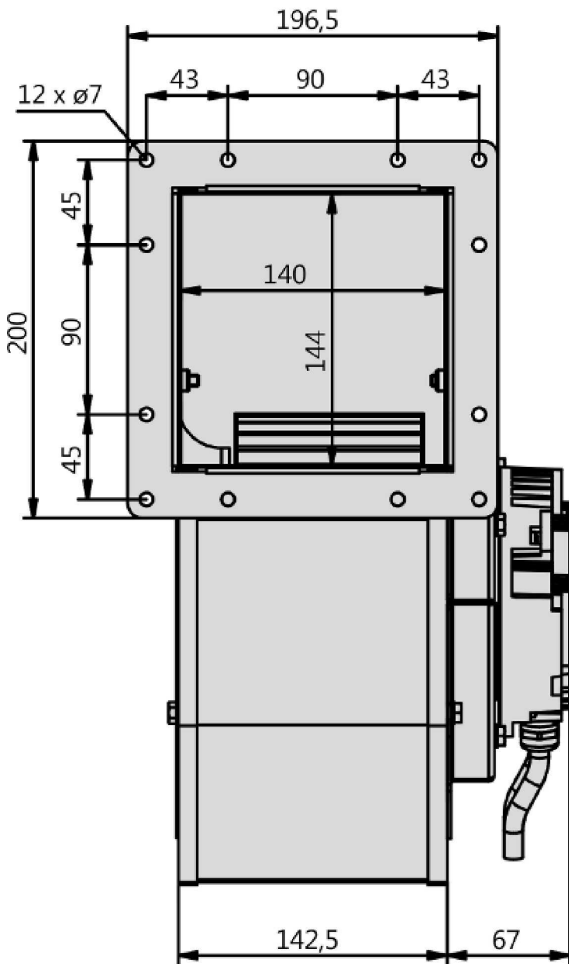
Sound Data:

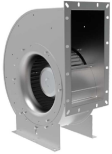
Frequency	Σ	125Hz	250Hz	500Hz	1kHz	2kHz	4kHz	8kHz	Distances	1 m	4 m
LwA(B,in) [dB(A)]	-3	-28	-15	-14	-8	-8	-11	-15	LpA(B,in) [dB(A)]	-10	-20
LwA(B,out) [dB(A)]		-21	-15	-8	-3	-7	-11	-18	LpA(B,out) [dB(A)]	-7	-17



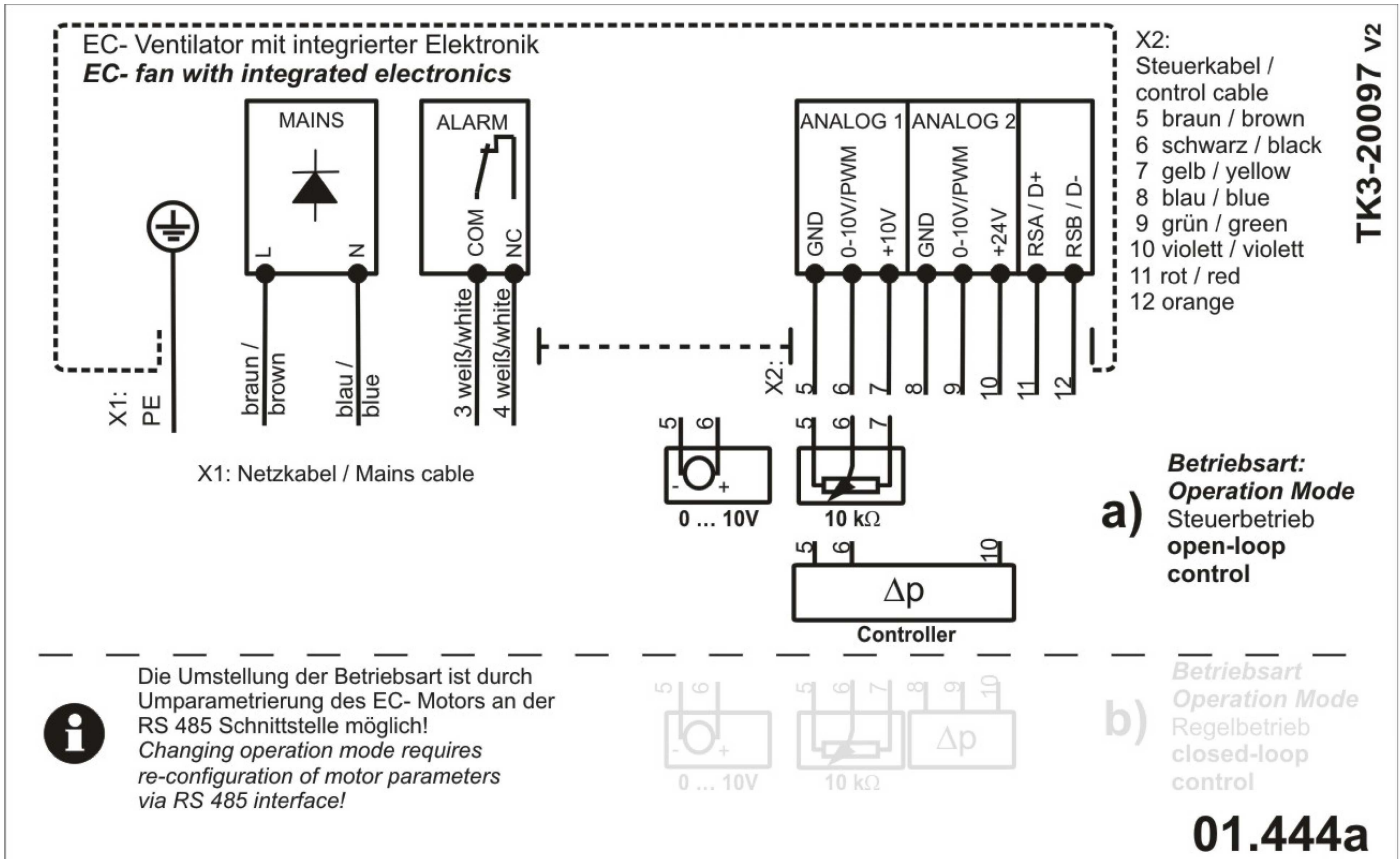
Type: **ERAG 200.4EA HP**

Part no.: B11-20005





Type: **ERAG 200.4EA HP**
 Part no.: B11-20005



EC-Centrifugal Fan

in scroll casing with forward curved impeller

Single inlet impeller made of galvanized steel sheet with forward curved blades. Due to the high number of blades results in a sound optimized and at the same time compact design. Fluidic optimized scroll casing made from galvanised sheet metal. Single inlet. Stands respectively casing mountable in all 90° positions. Motorized Impeller statically and dynamically balanced according to DIN ISO 21940-11 with quality level G2.5. Energy saving EC external-rotor motor exceeds IE4 / Super Premium Efficiency. Maintenance free ball bearings, closed on both sides with long-term lubrication. Magnets without rare earth elements. Motor coated black and/or die casted aluminum. Protection Class IP54. 1-phase types with cable for supply and controlling and integrated active PFC (Power Factor Correction). 3-phase types with integrated terminal box and environmental resistant cable glands (3x M20x1,5). 100% speed controllable with integrated Motor Protection. ModBus RTU Interface integrated. Busconfiguration possible on site by customer. Soft Start. Potential-free Alarm Contact and integrated 24V Supply for Accessories. Applicable in all common energy grids. Low noise commutation.

Fan complies with the guidelines required (Machinery-, EMC- and Low Voltage Directive) to comply with installation and conformity declaration as well as CE marking. Standard version with UL approval.

Nominal Data:

Voltage

1~200-277 V

Frequency

50/60 Hz

Input power

0,53 kW

Current

2,3 A

Speed

2000 r/min

Medium temperature

40 °C

Protection Mode

IP 54

Efficiency Class

IE4

Weight

9 kg

Dimensions

316 mm / 204 mm / 369 mm

Contact:

Rosenberg Ventilatoren BV

Elandlaan 8

NL - 3734 CP Den Dolder

www.rosenberg.nl

Type:

ERAG 200.4EA HP

Article-No.:

B11-20005
