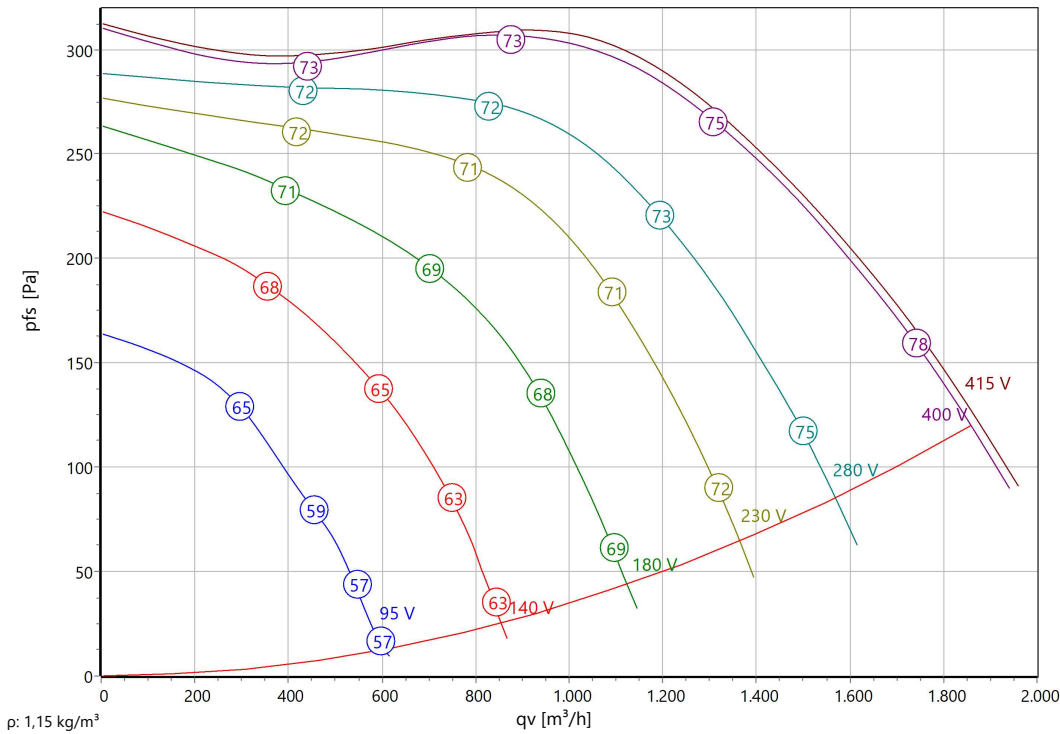


Type: **ERAD 225-4.5DF IE**
Part no.: B10-22541



Curve:



ErP-Data:

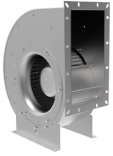
	(EU) Nr. 327/2011	(Lot11)
qV	1005	m³/h
pf	348	Pa
η _{tot}	39,2	%
Pe	0,25	kW
n	1410	r/min
N	49	
v	7,12	m/s

Nominal Data:

U [V]	f [Hz]	C [μF]	Pe [kW]	IN [A]	nN [r/min]	tR [°C]	pfs,min [Pa]	IA / IN	IP	m [kg]
400 D	50	-	0,5	0,9	1280	-25 .. +40	120	5,3	IP 54	13

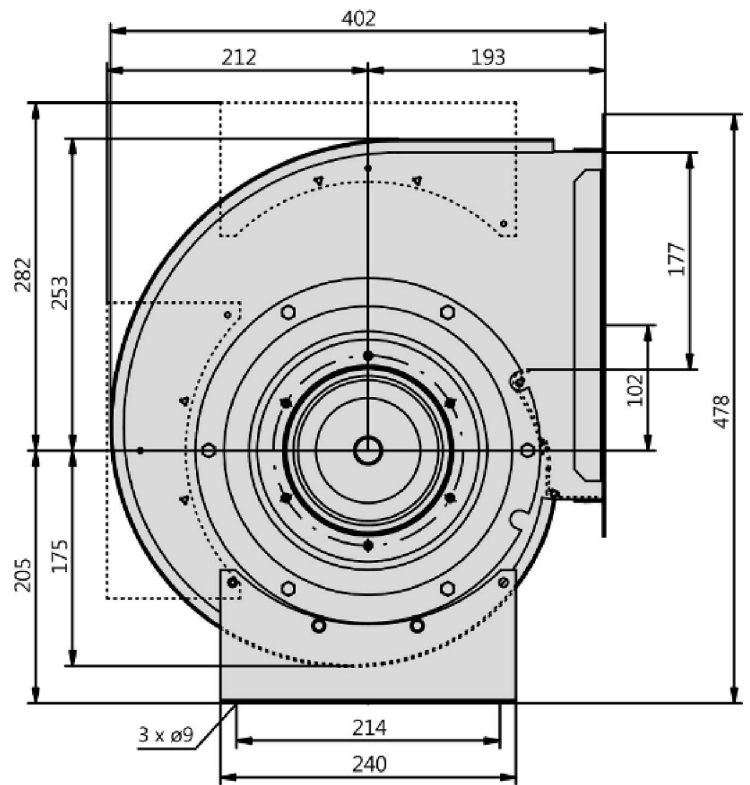
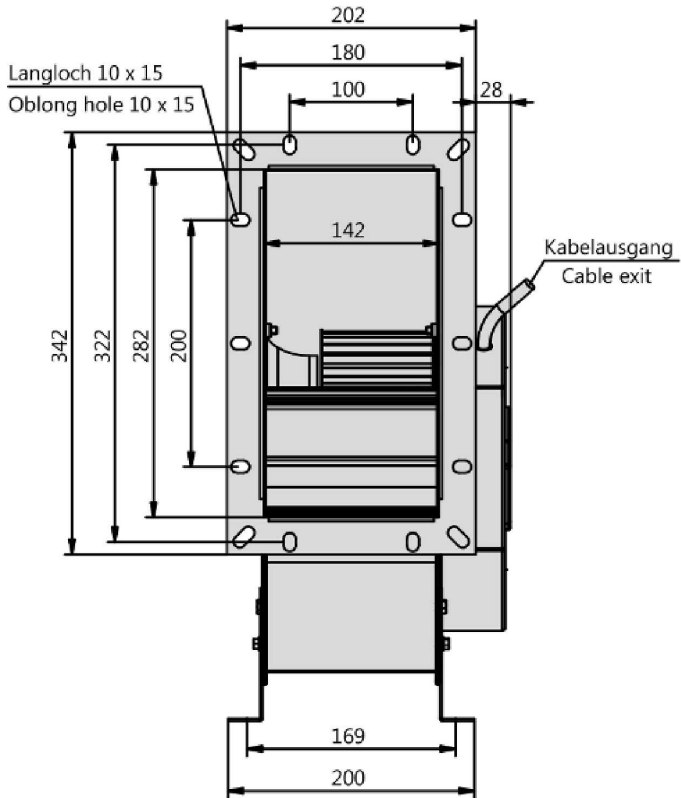
Sound Data:

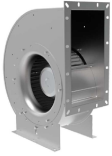
Frequency	Σ	125Hz	250Hz	500Hz	1kHz	2kHz	4kHz	8kHz	Distances	1 m	4 m
LwA(B,in) [dB(A)]	-3	-22	-13	-12	-7	-10	-12	-17	LpA(B,in) [dB(A)]	-10	-20
LwA(B,out) [dB(A)]		-27	-10	-9	-4	-7	-9	-13	LpA(B,out) [dB(A)]	-7	-17



Type: **ERAD 225-4.5DF IE**

Part no.: B10-22541





Type: **ERAD 225-4.5DF IE**
 Part no.: B10-22541

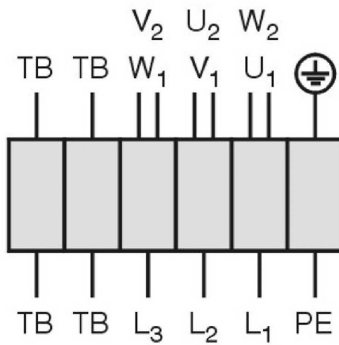


Drehstrommotor in Δ -Schaltung mit Thermostatschalter (TB).
 Drehrichtungsänderung durch Vertauschen von 2 Phasen.

Three phase motor in delta connection with thermostatic switch (TB). Changing of rotation direction by interchanging of 2 phases.

Moteur triphasé branché en triangle avec interrupteur thermostatique (TB). Changement de sens de rotation par inversion de deux phases.

TK3-20004



- U₁ braun / brown / brun
- V₁ blau / blue / bleu
- W₁ schwarz / black / noir
- U₂ rot / red / rouge
- V₂ grau / grey / gris
- W₂ orange / orange / orange
- TB weiß / white / blanc
- PE gelb-grün
yellow-green
jaune-vert

01.006

AC-Centrifugal Fan single inlet

in scroll casing with forward curved impeller

Single inlet impeller made of galvanized steel sheet with forward curved blades. Due to the high number of blades results in a sound optimized and at the same time compact design. Fluidic optimized scroll casing made from galvanised sheet metal. Single inlet. Stands respectively casing mountable in all 90° positions. Motorized Impeller statically and dynamically balanced according to DIN ISO 21940-11 with quality level G2.5. Voltage controllable AC external rotor motor. Maintenance free ball bearings, closed on both sides with long-term lubrication. Motor coated black and/or die casted aluminum. Standard configuration with cable. Motor protection is guaranteed by thermal contacts, which are inlaid into the motor windings. These contacts protect the motor from being overloaded through phase failure, too high medium temperature or locked rotor. Isolation Class F.

Fan complies with the guidelines required (Machinery-, EMC- and Low Voltage Directive) to comply with installation and conformity declaration as well as CE marking. Standard version with UL approval.

Nominal Data:

Voltage

400 D V

Frequency

50 Hz

Input power

0,5 kW

Current

0,9 A

Speed

1280 r/min

Medium temperature

40 °C

Protection Mode

IP 54

Weight

13 kg

Dimensions

402 mm / 225 mm / 478 mm

Contact:

Rosenberg Ventilatoren BV

Elandlaan 8

NL - 3734 CP Den Dolder

www.rosenberg.nl

Type:

ERAD 225-4.5DF IE

Article-No.:

B10-22541