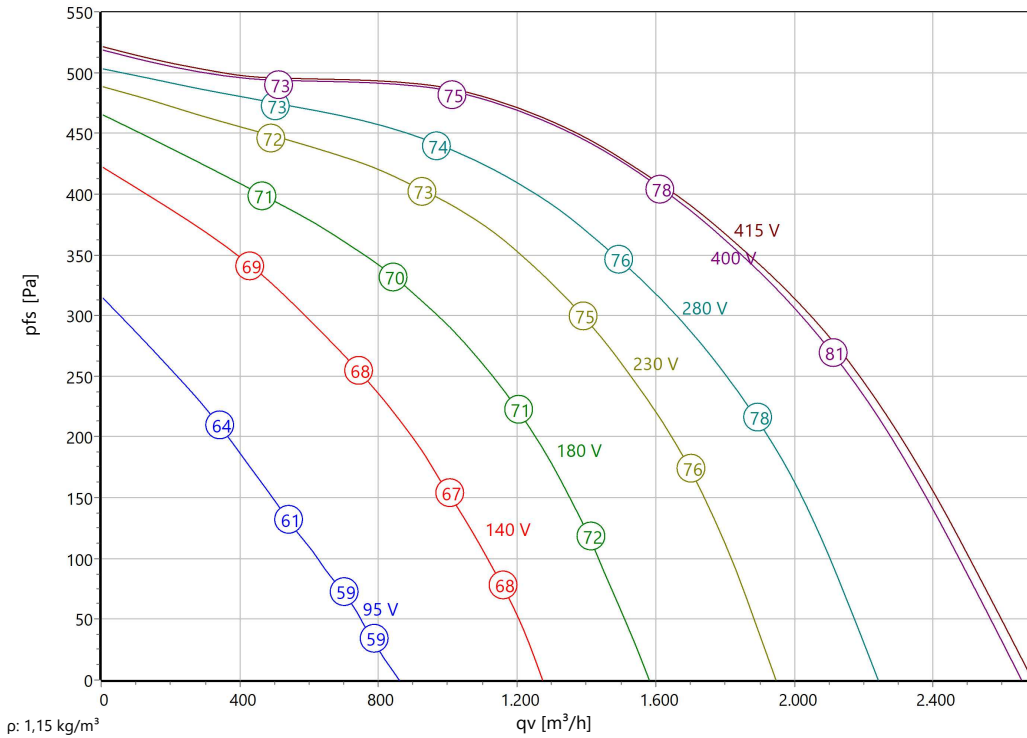


Type: **ERAD 281-4.5HA**

Part no.: B20-28155



**Curve:**



**ErP-Data:**

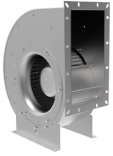
(EU) Nr. 327/2011	(Lot11)
qV	1276 m³/h
pfs	573 Pa
ηfs	37,7 %
Pe	0,45 kW
n	1402 r/min
N	36
v	12,5 m/s

**Nominal Data:**

U [V]	f [Hz]	C [μF]	Pe [kW]	IN [A]	nN [r/min]	tR [°C]	k10 [m²s/h]	IA / IN	IP	m [kg]
400 D	50	-	1,09	1,93	1280	-25 .. +40	-	3,3	IP 54	18

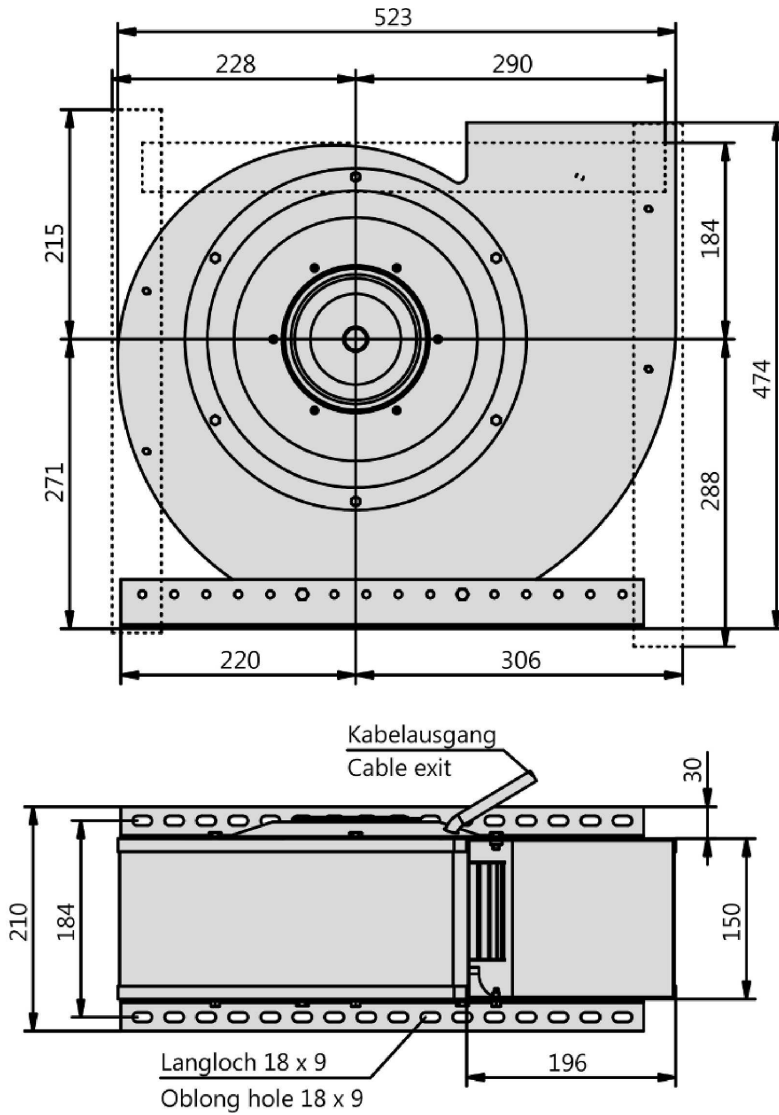
**Sound Data:**

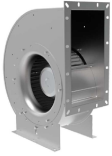
Frequency	Σ	125Hz	250Hz	500Hz	1kHz	2kHz	4kHz	8kHz	Distances	1 m	4 m
LwA(B,in) [dB(A)]	-3	-23	-14	-12	-7	-10	-11	-18	LpA(B,in) [dB(A)]	-10	-20
LwA(B,out) [dB(A)]		-22	-13	-7	-6	-5	-7	-15	LpA(B,out) [dB(A)]	-7	-17



Type: **ERAD 281-4.5HA**

Part no.: B20-28155





Type: **ERAD 281-4.5HA**  
 Part no.: B20-28155

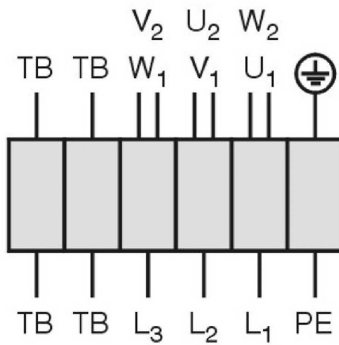


Drehstrommotor in  $\Delta$ -Schaltung mit Thermostatschalter (TB).  
 Drehrichtungsänderung durch Vertauschen von 2 Phasen.

**Three phase motor in delta connection with thermostatic switch (TB). Changing of rotation direction by interchanging of 2 phases.**

**Moteur triphasé branché en triangle avec interrupteur thermostatique (TB). Changement de sens de rotation par inversion de deux phases.**

TK3-20004



- U<sub>1</sub> braun / brown / brun
- V<sub>1</sub> blau / blue / bleu
- W<sub>1</sub> schwarz / black / noir
- U<sub>2</sub> rot / red / rouge
- V<sub>2</sub> grau / grey / gris
- W<sub>2</sub> orange / orange / orange
- TB weiß / white / blanc
- PE gelb-grün  
yellow-green  
jaune-vert

01.006

### **AC-Centrifugal Fan single inlet**

in scroll casing with forward curved impeller

Single inlet impeller made of galvanized steel sheet with forward curved blades. Due to the high number of blades results in a sound optimized and at the same time compact design. Fluidic optimized scroll casing made from galvanised sheet metal. Single inlet. Stands respectively casing mountable in all 90° positions. Motorized Impeller statically and dynamically balanced according to DIN ISO 21940-11 with quality level G2.5. Voltage controllable AC external rotor motor. Maintenance free ball bearings, closed on both sides with long-term lubrication. Motor coated black and/or die casted aluminum. Standard configuration with cable. Motor protection is guaranteed by thermal contacts, which are inlaid into the motor windings. These contacts protect the motor from being overloaded through phase failure, too high medium temperature or locked rotor. Isolation Class F.

Fan complies with the guidelines required (Machinery-, EMC- and Low Voltage Directive) to comply with installation and conformity declaration as well as CE marking. Standard version with UL approval.

### **Nominal Data:**

Voltage  
400 D V  
Frequency  
50 Hz  
Input power  
1,09 kW  
Current  
1,93 A  
Speed  
1280 r/min  
Medium temperature  
40 °C  
Protection Mode  
IP 54  
Weight  
18 kg  
Dimensions  
523 mm / 171 mm / 474 mm

### **Contact:**

Rosenberg Ventilatoren BV  
Elandlaan 8  
NL - 3734 CP Den Dolder  
[www.rosenberg.nl](http://www.rosenberg.nl)

### **Type:**

ERAD 281-4.5HA

### **Article-No.:**

B20-28155