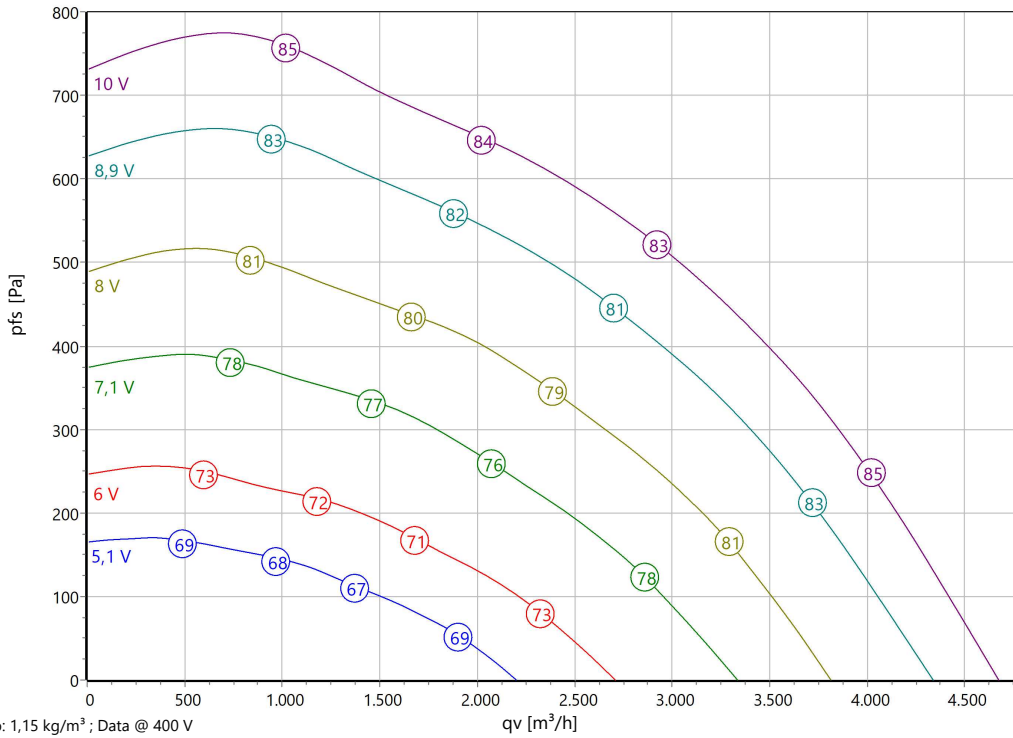




Type: **EHAG 355.5FA**
Part no.: B34-35500



Curve:



p: 1,15 kg/m³ ; Data @ 400 V

ErP-Data:

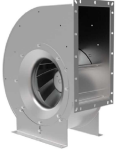
| | (EU) Nr. 327/2011 | (Lot11) |
|------|-------------------|---------|
| qV | 2619 | m³/h |
| pf | 619 | Pa |
| ηtot | 65,9 | % |
| Ped | 0,75 | kW |
| n | 1900 | r/min |
| N | 78 | |
| v | 5,82 | m/s |

Nominal Data:

| U [V] | f [Hz] | Data @ [V] | Ped [kW] | IN [A] | nN [r/min] | tR [°C] | k10 [m²s/h] | Eff.-Rating | IP | m [kg] |
|-----------|--------|------------|----------|--------|------------|------------|-------------|-------------|-------|--------|
| 3~380-480 | 50/60 | 400 | 0,81 | 1,5 | 1900 | -25 .. +50 | - | IE4 | IP 54 | 27 |

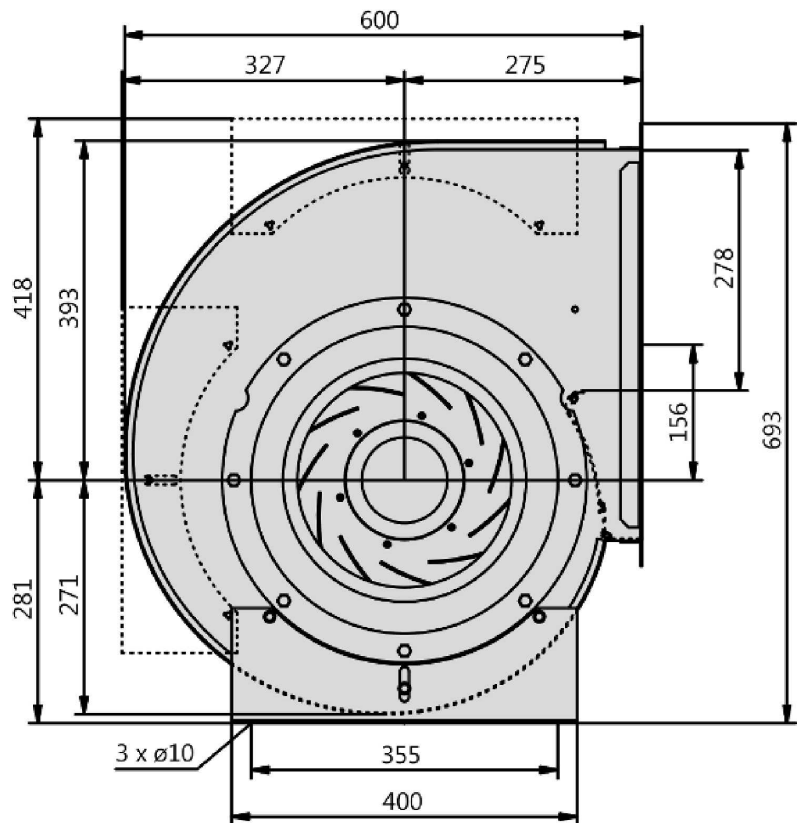
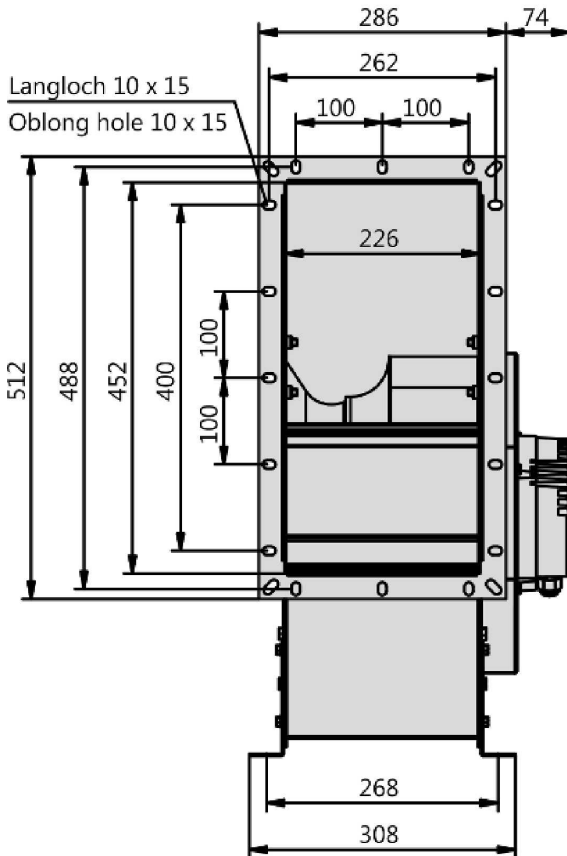
Sound Data:

| Frequency | Σ | 125Hz | 250Hz | 500Hz | 1kHz | 2kHz | 4kHz | 8kHz | Distances | 1 m | 4 m |
|--------------------|----|-------|-------|-------|------|------|------|------|--------------------|-----|-----|
| LwA(B,in) [dB(A)] | -3 | -18 | -10 | -8 | -10 | -11 | -16 | -22 | LpA(B,in) [dB(A)] | -10 | -20 |
| LwA(B,out) [dB(A)] | | -23 | -7 | -6 | -5 | -7 | -17 | -25 | LpA(B,out) [dB(A)] | -7 | -17 |



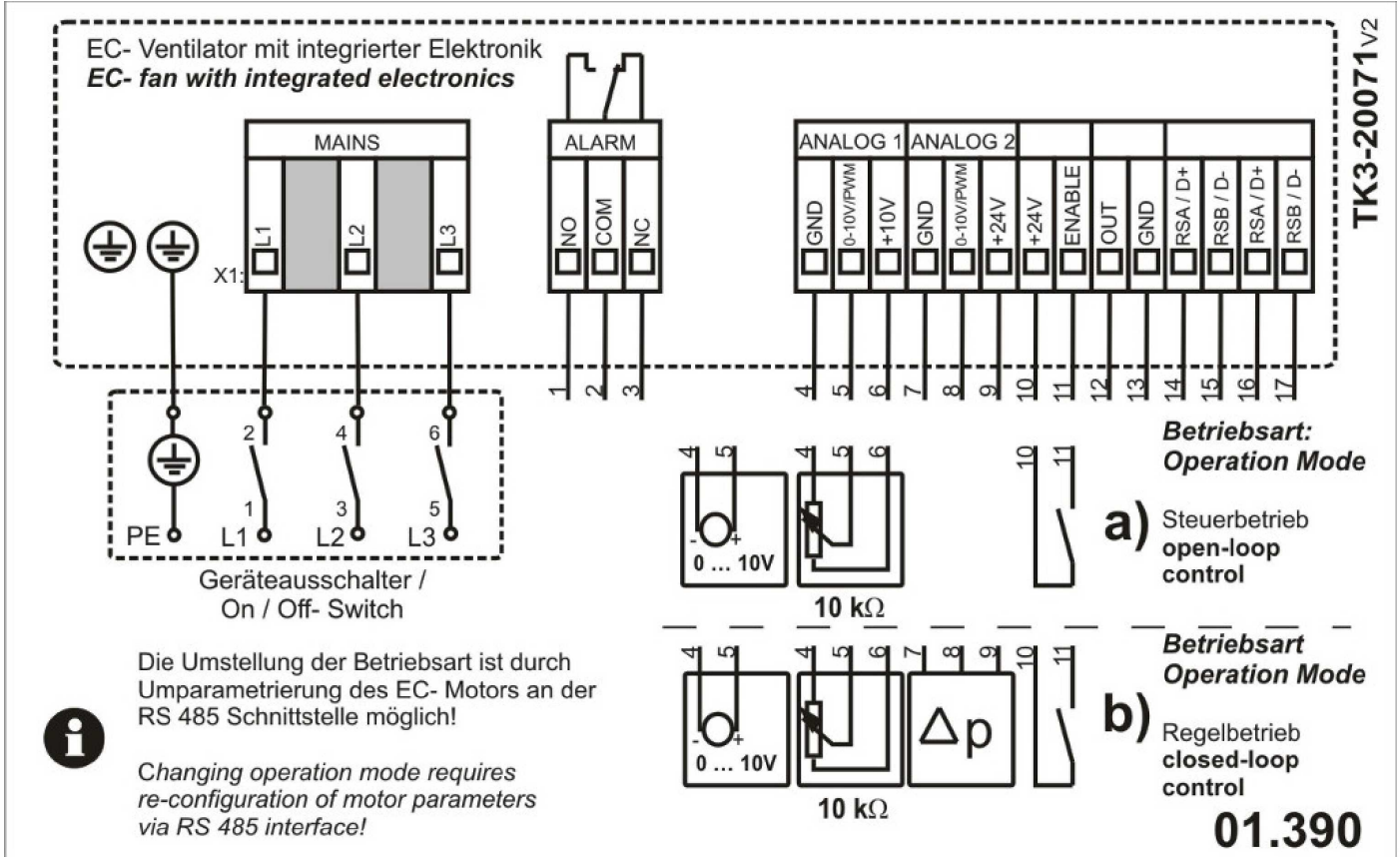
Type: **EHAG 355.5FA**

Part no.: B34-35500





Type: **EHAG 355.5FA**
 Part no.: B34-35500



EC-Centrifugal Fan single inlet

in scroll casing with backward curved impeller

Impeller made of aluminum (AlMg3) with backward curved blades. Fluidic optimized inlet cone made of galvanized sheet metal. Fluidic optimized scroll casing made from galvanised sheet metal. Single inlet. Stands respectively casing mountable in all 90° positions. Motorized Impeller statically and dynamically balanced according to DIN ISO 21940-11 with quality level G2.5. Energy saving EC external-rotor motor exceeds IE4 / Super Premium Efficiency. Maintenance free ball bearings, closed on both sides with long-term lubrication. Magnets without rare earth elements. Motor coated black and/or die casted aluminum. Protection Class IP54. 1-phase types with cable for supply and controlling and integrated active PFC (Power Factor Correction). 3-phase types with integrated terminal box and environmental resistant cable glands (3x M20x1,5). 100% speed controllable with integrated Motor Protection. ModBus RTU Interface integrated. Busconfiguration possible on site by customer. Soft Start. Potential-free Alarm Contact and integrated 24V Supply for Accessories. Applicable in all common energy grids. Low noise commutation.

Fan complies with the guidelines required (Machinery-, EMC- and Low Voltage Directive) to comply with installation and conformity declaration as well as CE marking. Standard version with UL approval.

Nominal Data:

Voltage
3~380-480 V
Frequency
50/60 Hz
Input power
0,81 kW
Current
1,5 A
Speed
1900 r/min
Medium temperature
50 °C
Protection Mode
IP 54
Efficiency Class
IE4
Weight
27 kg
Dimensions
600 mm / 360 mm / 693 mm

Contact:

Rosenberg Ventilatoren BV
Elandlaan 8
NL - 3734 CP Den Dolder
www.rosenberg.nl

Type:

EHAG 355.5FA

Article-No.:

B34-35500

