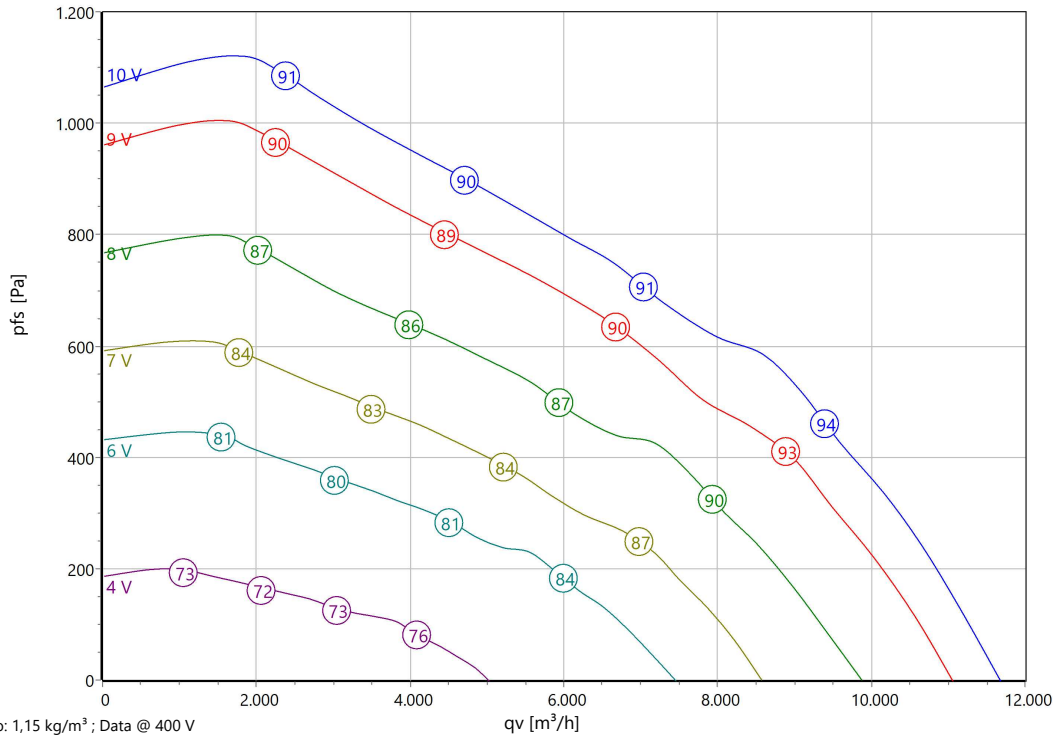


Type: **EHAG 500.6FF**  
Part no.: B34-50004



**Curve:**



**ErP-Data:**

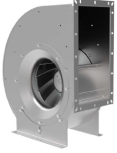
	(EU) Nr. 327/2011	(Lot11)
qV	5941	m³/h
pf	840	Pa
η <sub>tot</sub>	64,9	%
Ped	2,29	kW
n	1600	r/min
N	72	
v	7,93	m/s

**Nominal Data:**

U [V]	f [Hz]	Data @ [V]	Ped [kW]	IN [A]	nN [r/min]	tR [°C]	k10 [m²s/h]	Eff.-Rating	IP	m [kg]
3~380-480	50/60	400	2,95	4,55	1600	-25 .. +50	-	IE5	IP 54	55

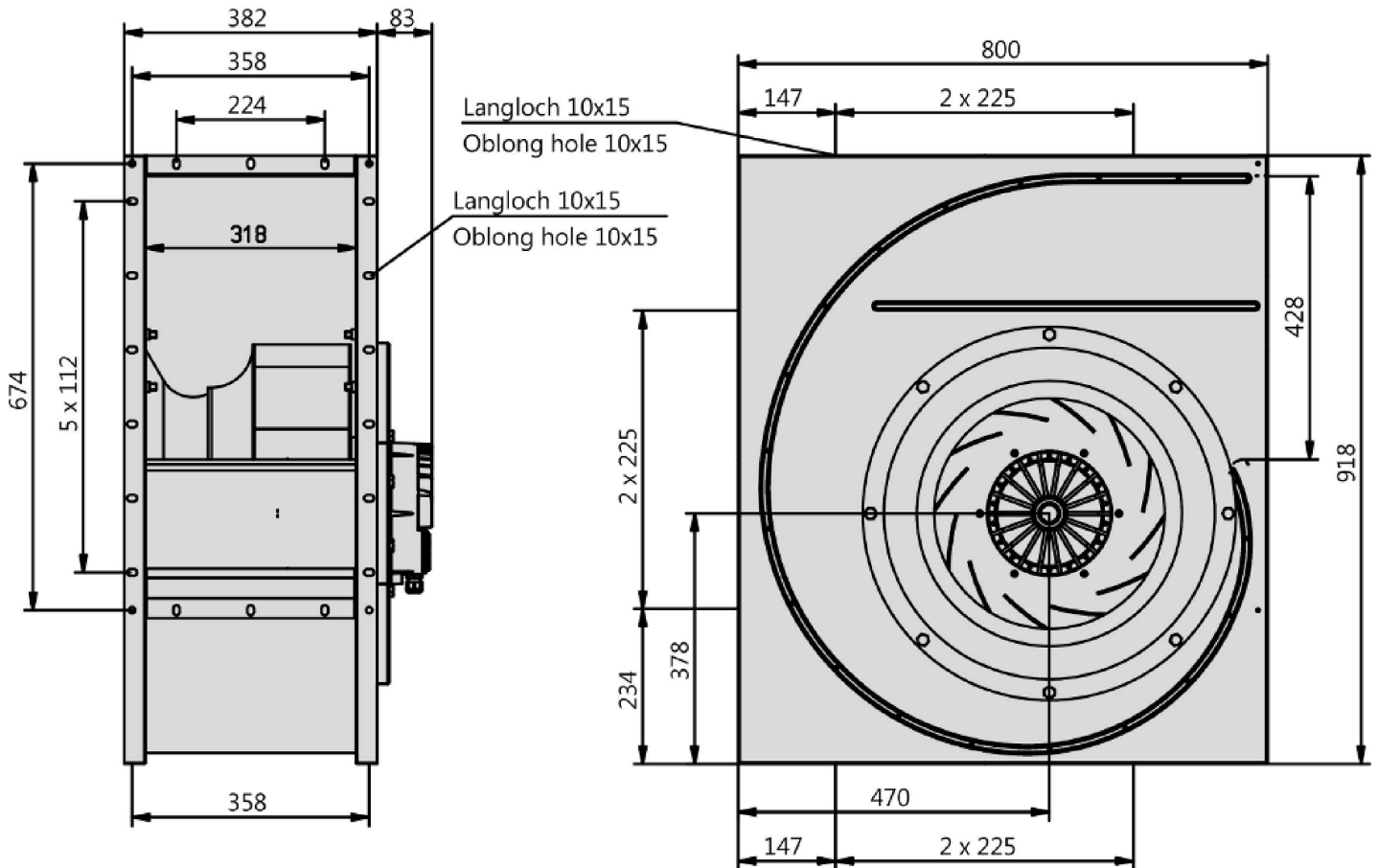
**Sound Data:**

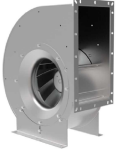
Frequency	Σ	125Hz	250Hz	500Hz	1kHz	2kHz	4kHz	8kHz	Distances	1 m	4 m
LwA(B,in) [dB(A)]	-4	-20	-12	-8	-11	-12	-20	-25	LpA(B,in) [dB(A)]	-11	-21
LwA(B,out) [dB(A)]		-24	-7	-5	-4	-12	-19	-27	LpA(B,out) [dB(A)]	-7	-17



Type: **EHAG 500.6FF**

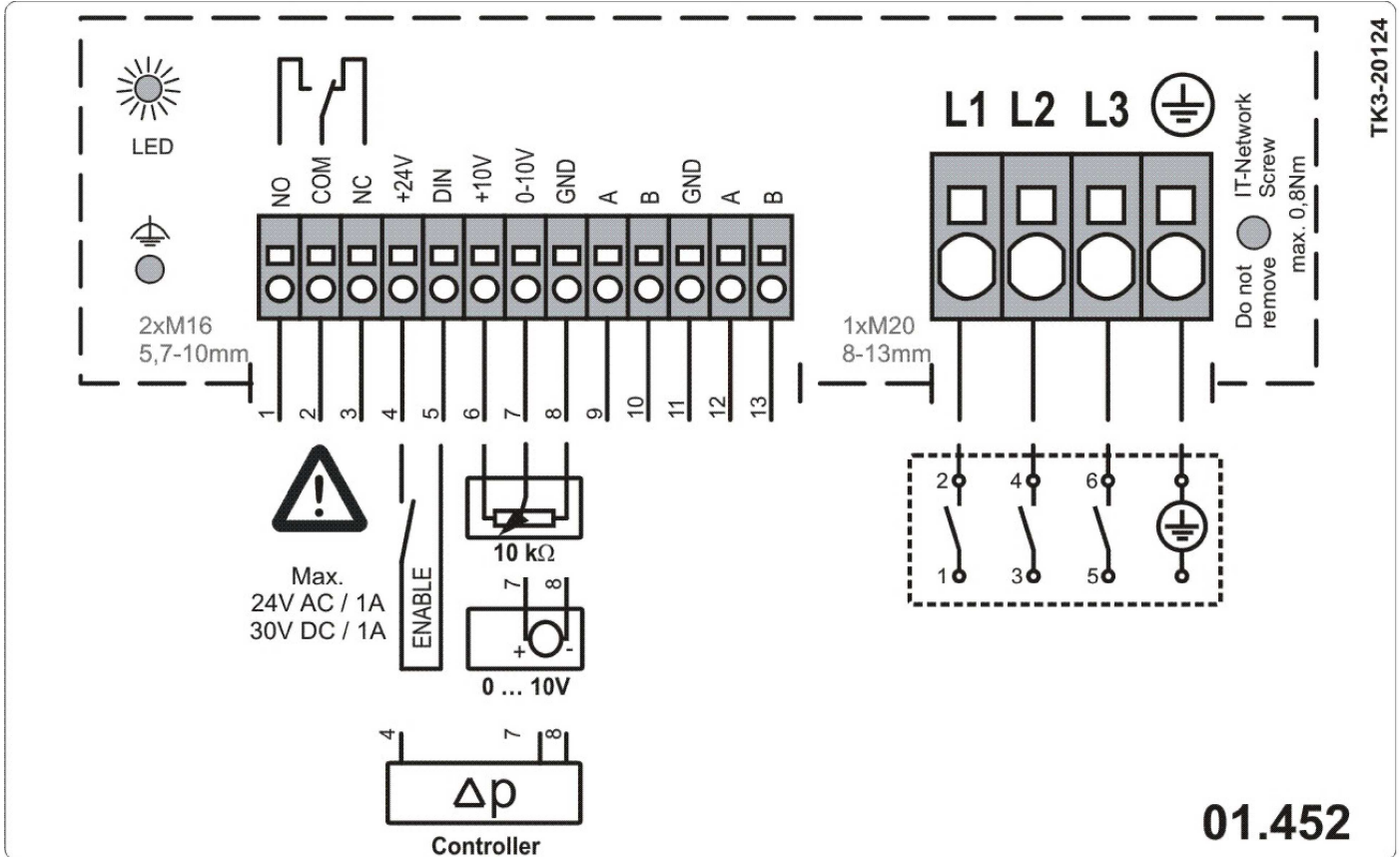
Part no.: B34-50004





Type: **EHAG 500.6FF**

Part no.: B34-50004



### **EC-Centrifugal Fan single inlet**

in scroll casing with backward curved impeller

Impeller made of aluminum (AlMg3) with backward curved blades. Fluidic optimized inlet cone made of galvanized sheet metal. Fluidic optimized scroll casing made from galvanised sheet metal. Single inlet. Stands respectively casing mountable in all 90° positions. Motorized Impeller statically and dynamically balanced according to DIN ISO 21940-11 with quality level G2.5. Energy saving EC external-rotor motor exceeds IE4 / Super Premium Efficiency. Maintenance free ball bearings, closed on both sides with long-term lubrication. Magnets without rare earth elements. Motor coated black and/or die casted aluminum. Protection Class IP54. 1-phase types with cable for supply and controlling and integrated active PFC (Power Factor Correction). 3-phase types with integrated terminal box and environmental resistant cable glands (3x M20x1,5). 100% speed controllable with integrated Motor Protection. ModBus RTU Interface integrated. Busconfiguration possible on site by customer. Soft Start. Potential-free Alarm Contact and integrated 24V Supply for Accessories. Applicable in all common energy grids. Low noise commutation.

Fan complies with the guidelines required (Machinery-, EMC- and Low Voltage Directive) to comply with installation and conformity declaration as well as CE marking. Standard version with UL approval.

### **Nominal Data:**

Voltage  
3~380-480 V  
Frequency  
50/60 Hz  
Input power  
2,95 kW  
Current  
4,55 A  
Speed  
1600 r/min  
Medium temperature  
50 °C  
Protection Mode  
IP 54  
Efficiency Class  
IE5  
Weight  
55 kg  
Dimensions  
800 mm / 465 mm / 918 mm

### **Contact:**

Rosenberg Ventilatoren BV  
Elandlaan 8  
NL - 3734 CP Den Dolder  
[www.rosenberg.nl](http://www.rosenberg.nl)

### **Type:**

EHAG 500.6FF

### **Article-No.:**

B34-50004

