

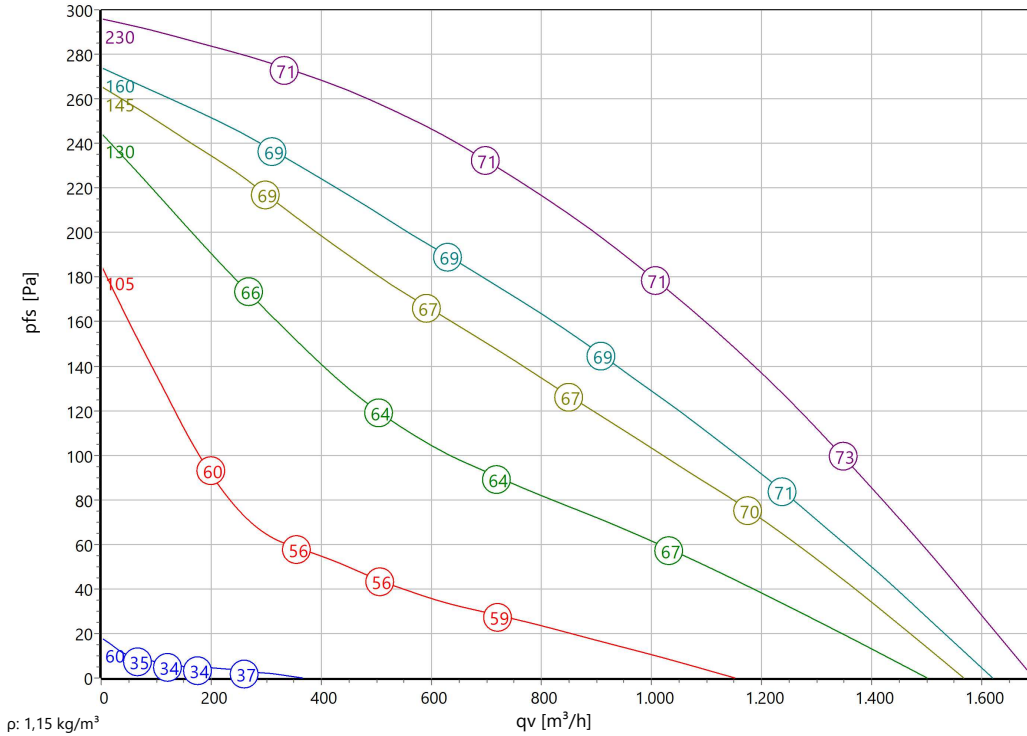


Type: **DVN 310L-4E-GS**

Part no.: A24-31016



Curve:



Nominal Data:

ΔI 41 %

U [V]	f [Hz]	C [μF]	Po [KW]	IN [A]	nN [r/min]	tR [°C]	k10 [m²s/h]	IA / IN	IP	m [kg]
230	50	4	0,18	0,85	1400	120	-	3	IP 54	19

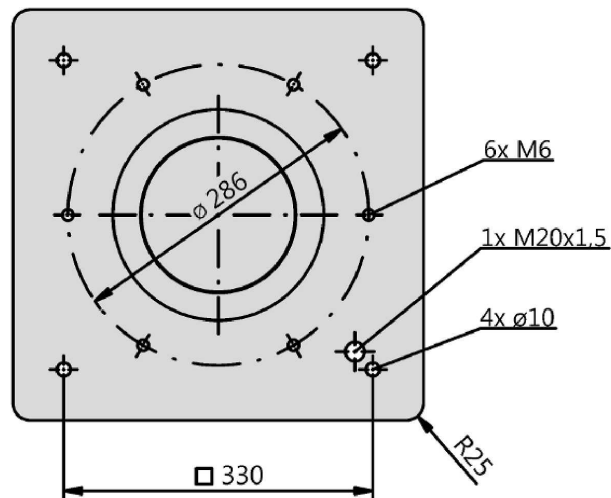
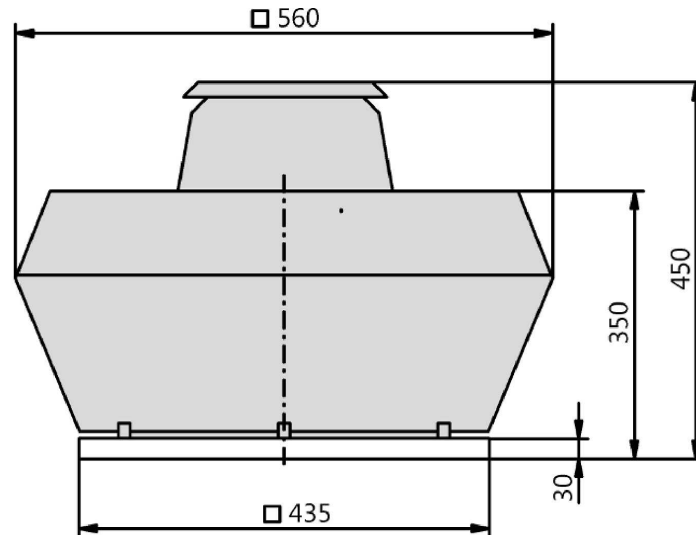
Sound Data:

Frequency	Σ	125Hz	250Hz	500Hz	1kHz	2kHz	4kHz	8kHz	Distances	1 m	4 m
LwA(A,in) [dB(A)]	-3	-26	-14	-10	-9	-8	-12	-19	LpA(A,in) [dB(A)]	-10	-20
LwA(A,out) [dB(A)]		-22	-12	-6	-4	-6	-15	-22	LpA(A,out) [dB(A)]	-7	-17



Type: **DVN 310L-4E-GS**

Part no.: A24-31016





Type: **DVN 310L-4E-GS**
 Part no.: A24-31016

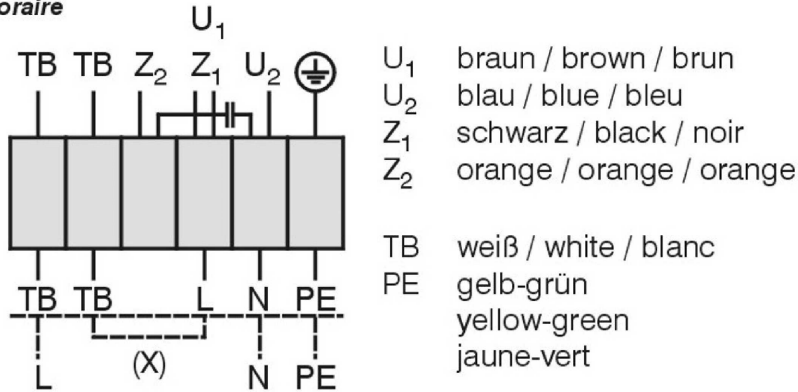


Einphasenwechselstrommotor mit Betriebskondensator und Thermostatschalter.
 Bei Verwendung von RE Steuergeräten TB mit der Wicklung in Reihe schalten.
 Hierfür Brücke (x) einlegen und gestrichelt gezeichnete Anschlüsse belegen.

Single phase A.C. motor with operating capacitor and thermostatic switch.
Thermostatic switch wired in series with windings if RE controllers are used.
Insert bridge (x) and wire connections shown as dash-line on the drawing.

Moteur monophasé avec condensateur permanent et interrupteur thermostatique branché en série avec le bobinage en cas de branchement avec des régulateurs RE. Mettre un pont (x) et brancher toutes les connexions dessinées en hachuré.

Rechtslauf
 clockwise
 rotation horaire



01.024

TK3-20010

Roof fan

vertical outlet with IEC standard motor

Rain protection cover and square housing made of aluminium. Base frame equipped with threaded bolts for tightening accessories on suction side and a bended inlet cone, manufactured of galvanized sheet metal. Motor outside of the air stream weatherproof. Impeller made of aluminum (AlMg3) with 8 backward curved blades. Compact and flexible design. Voltage controllable AC external rotor motor with exported motor shaft. Maintenance free ball bearings, closed on both sides with long-term lubrication. Motor coated black and/or die casted aluminum. Standard configuration with cable. Motor protection is guaranteed by thermal contacts, which are inlaid into the motor windings. These contacts protect the motor from being overloaded through phase failure, too high medium temperature or locked rotor. Isolation Class F. Motorized Impeller statically and dynamically balanced according to DIN ISO 21940-11 at least with quality level G6.3. The electrical connection is possible over the mounted ON/OFF-switch. Air volume control is possible by the use of a step transformer (accessory).

Fan complies with the guidelines required (Machinery-, EMC- and Low Voltage Directive) to comply with installation and conformity declaration as well as CE marking.

Nominal Data:

Voltage
230 V
Frequency
50 Hz
Input power
0,18 kW
Current
0,85 A
Speed
1400 r/min
Medium temperature
120 °C
Protection Mode
IP 54
Weight
19 kg
Dimensions
560 mm / 560 mm / 450 mm

Contact:

Rosenberg Ventilatoren BV
Elandlaan 8
NL - 3734 CP Den Dolder
www.rosenberg.nl

Type:

DVN 310L-4E-GS

Article-No.:

A24-31016