

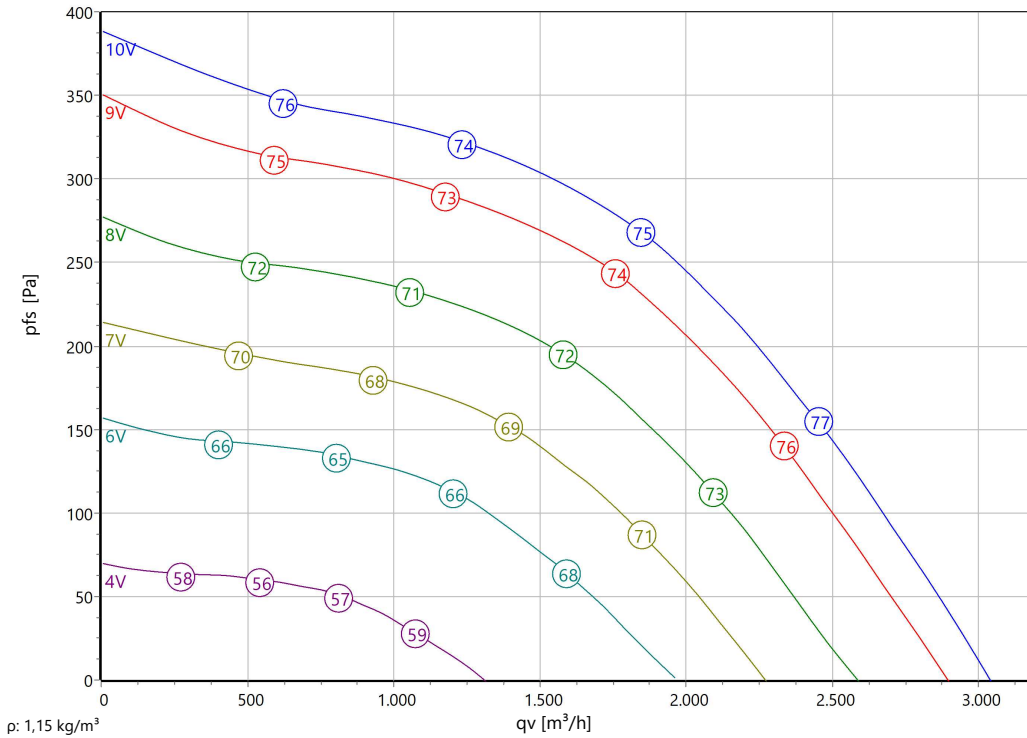


Type: **DVNF 355-4E-GS**

Part no.: A47-35551



Curve:



Nominal Data:

U [V]	f [Hz]	C [μF]	Po [KW]	IN [A]	nN [r/min]	tR [°C]	k10 [m²s/h]	IA / IN	IP	m [kg]
230	50	-	0,32	1,45	1410	120	-	5,2	IP 55	35

Sound Data:

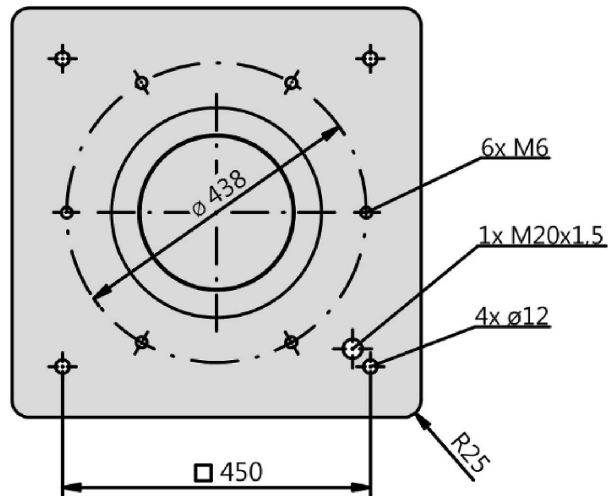
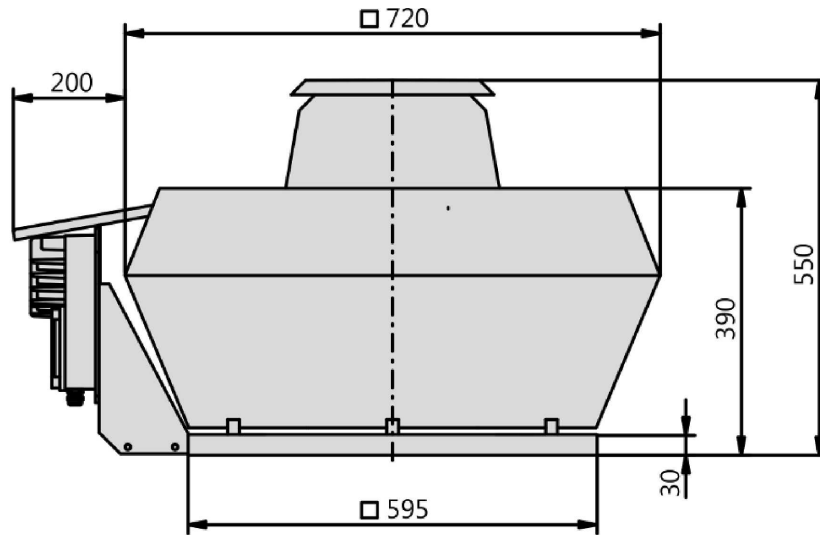
Frequency	Σ	125Hz	250Hz	500Hz	1kHz	2kHz	4kHz	8kHz	Distances	1 m	4 m
LwA(A,in) [dB(A)]	-3	-26	-14	-10	-9	-8	-12	-19	LpA(A,in) [dB(A)]	-10	-20
LwA(A,out) [dB(A)]		-22	-12	-6	-4	-6	-15	-22	LpA(A,out) [dB(A)]	-7	-17

IE3 IEC Motor size 71M with power P_{shaft} 0,37 kW / Current 1,0 A / Rotation speed 1435rpm



Type: **DVNF 355-4E-GS**

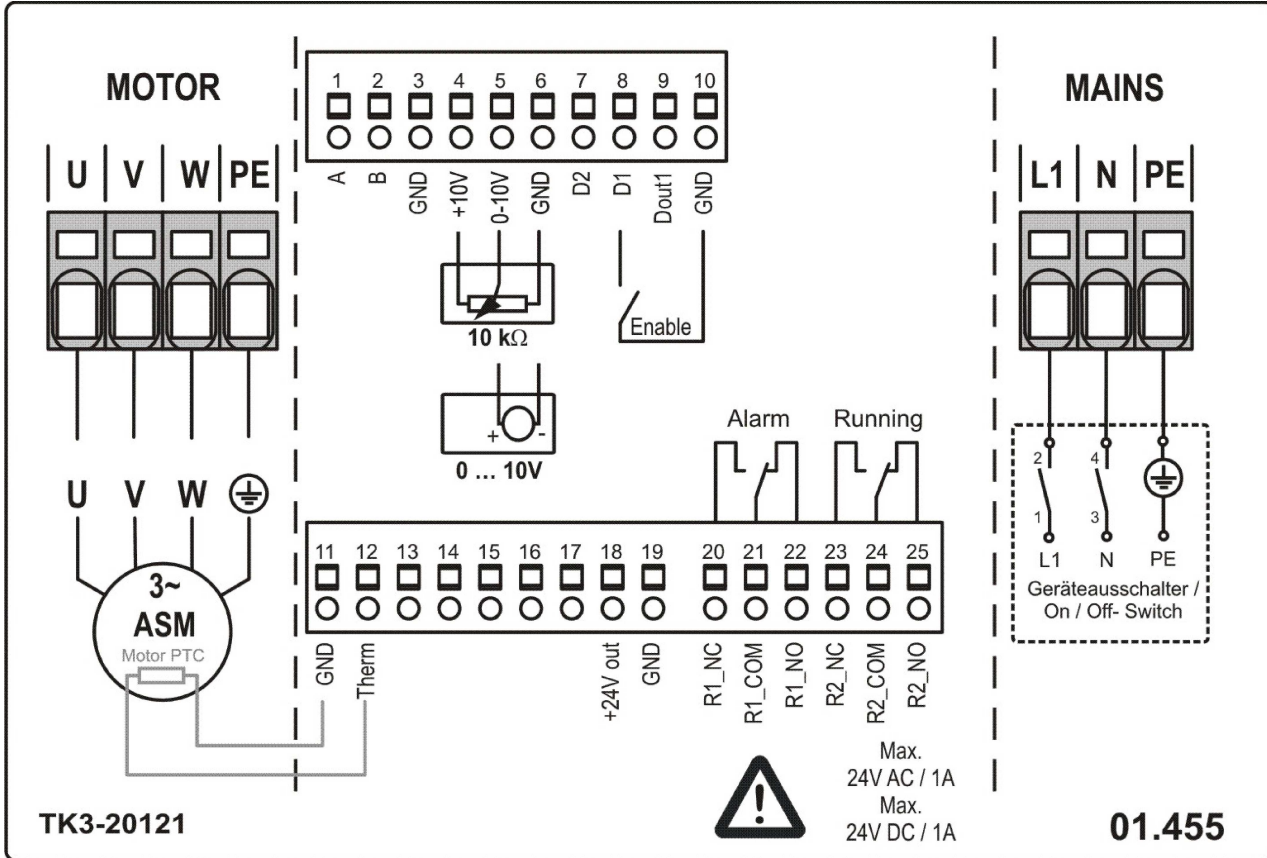
Part no.: A47-35551





Type: **DVNF 355-4E-GS**

Part no.: A47-35551



Roof fan

vertical outlet with IEC standard motor and integrated frequency converter

Rain protection cover and square housing made of aluminium. Base frame equipped with threaded bolts for tightening accessories on suction side and a bended inlet cone, manufactured of galvanized sheet metal. Motor outside of the air stream weatherproof. Impeller made of aluminum (AlMg3) with 8 backward curved blades. Compact and flexible design. IEC motor according to EN 60034 (IEC 60072). Applicable for use with Variable Frequency Drive (VFD). Positive Temperature Coefficient (PTC) thermistor standard. Protection class IP55. 50/60Hz operation possible. Isolation class F. Motorized Impeller statically and dynamically balanced according to DIN ISO 21940-11 at least with quality level G6.3. Frequency converter in Protection Class minimum IP54. Integrated terminal box and environmental resistant cable glands. 100% speed controllable with integrated Motor Protection evaluation. Soft Start. Potential-free Alarm Contact. Electronic variants with 3~400V and 1~230V, 50/60Hz. Air volume control is possible over an 0-10V Signal (accessory). The electrical connection is possible over the mounted ON/OFF-switch.

Fan complies with the guidelines required (Machinery-, EMC- and Low Voltage Directive) to comply with installation and conformity declaration as well as CE marking.

Nominal Data:

Voltage

230 V

Frequency

50 Hz

Input power

0,32 kW

Current

1,45 A

Speed

1410 r/min

Medium temperature

120 °C

Protection Mode

IP 55

Weight

35 kg

Dimensions

920 mm / 720 mm / 550 mm

Contact:

Rosenberg Ventilatoren BV

Elandlaan 8

NL - 3734 CP Den Dolder

www.rosenberg.nl

Type:

DVNF 355-4E-GS

Article-No.:

A47-35551