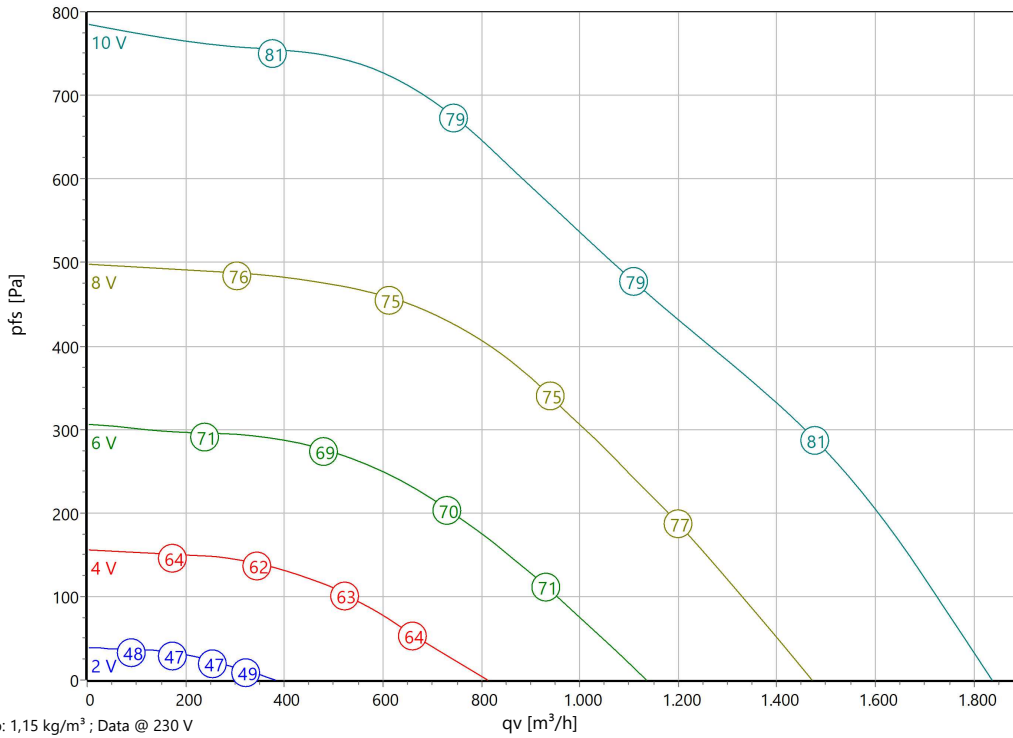




Type: **DVE 250-G.3DI**  
Part no.: A05-25000



**Curve:**



**ErP-Data:**

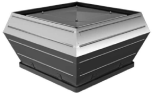
	(EU) Nr. 1253/2014	(Lot6)
qV	886	m³/h
pfs	626	Pa
ηfs	49,8	%
Ped	0,31	kW
n	3250	r/min
N	57	
v	3,86	m/s
ηfs Lot11	60,3	%

**Nominal Data:**

U [V]	f [Hz]	Data @ [V]	Ped [kW]	IN [A]	nN [r/min]	tR [°C]	k10 [m²s/h]	IA / IN	IP	m [kg]
1~200-277	50/60	230	0,31	1,37	3250	-20 .. +50	-	-	IP 54	12,5

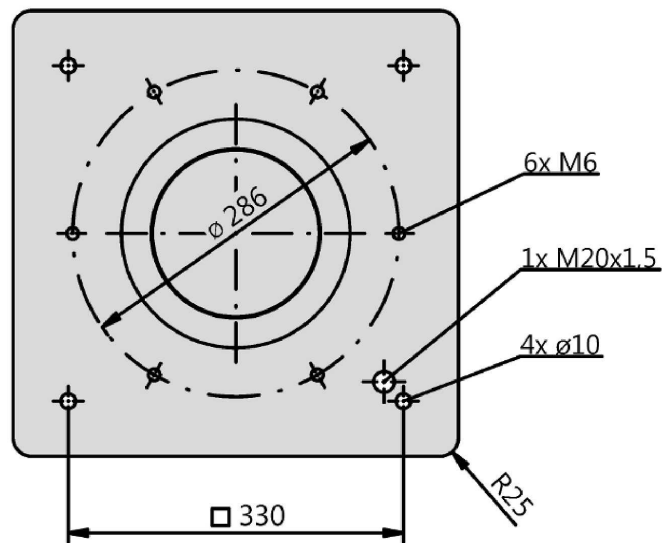
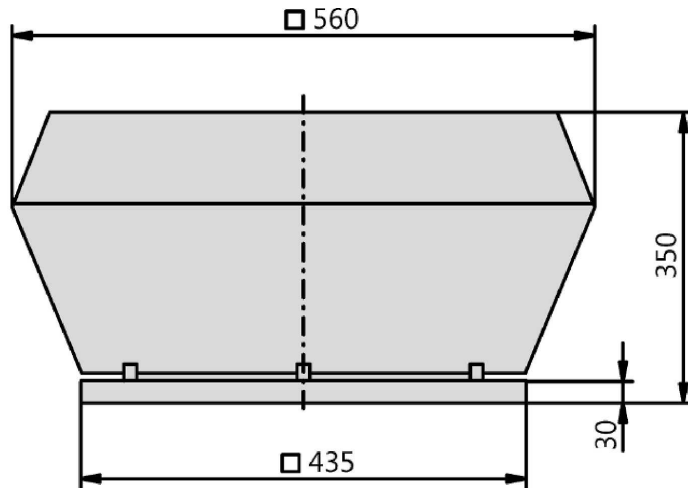
**Sound Data:**

Frequency	Σ	125Hz	250Hz	500Hz	1kHz	2kHz	4kHz	8kHz	Distances	1 m	5 m
LwA(A,in) [dB(A)]	-3	-28	-15	-10	-9	-9	-10	-18	LpA(A,in) [dB(A)]	-10	-21
LwA(A,out) [dB(A)]		-26	-15	-8	-5	-5	-8	-18	LpA(A,out) [dB(A)]	-7	-18



Type: **DVE 250-G.3DI**

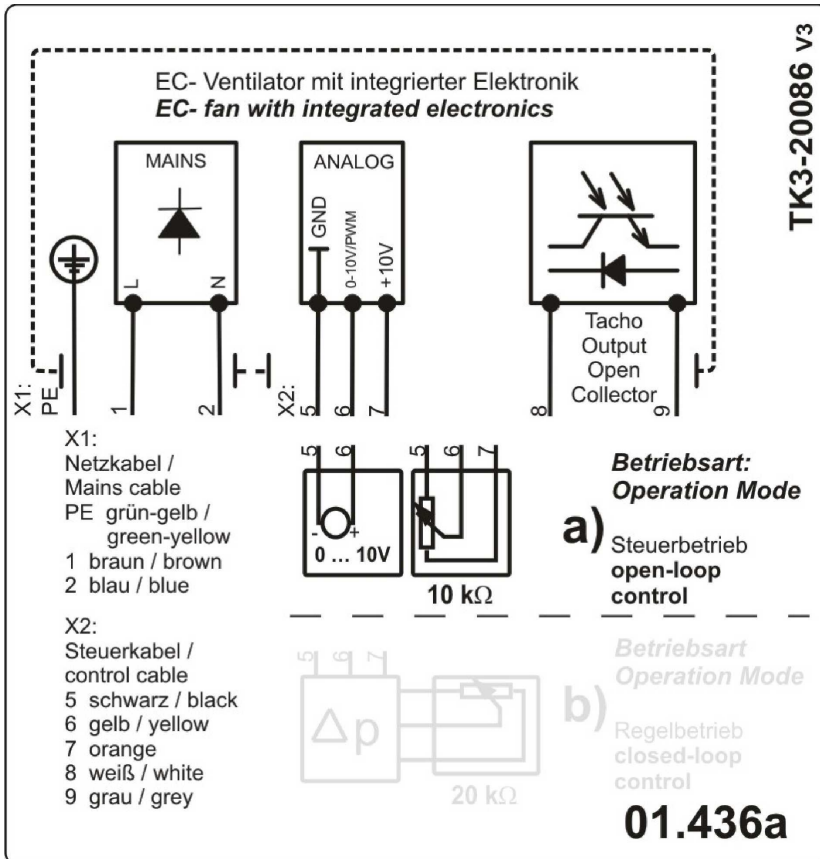
Part no.: A05-25000





Type: **DVE 250-G.3DI**

Part no.: A05-25000



### EC Roof Fan, Open-loop control

vertical outlet

Rain protection cover and square housing made of aluminium. Base frame equipped with threaded bolts for tightening accessories on suction side and a bended inlet cone, manufactured of galvanized sheet metal. Impeller of the E-series (Revolution) made of black, UV-stabilized and long glass fibre reinforced Polypropylene (PP) with 7 backward curved, profiled blades and narrow efficiency optimized circumferential diffusor. Sound and weight optimized. Corrosion resistant and compact design. Air Flow orientated behaviour. Energy saving EC external-rotor motor. Maintenance free ball bearings, closed on both sides with long-term lubrication. Motor coated black and/or electrogalvanized. Cable for supply and controlling connection. 100% speed controllable with integrated Motor Protection. Soft Start. Applicable in all common energy grids. Motorized Impeller statically and dynamically balanced according to DIN ISO 21940-11 with quality level G2.5. The electrical connection is mounted on the housing by a terminal box. The speed can be set via the included potentiometer (Pot-KK). Optionally, the speed can be set infinitely variable via an external 0-10V signal or via a separate potentiometer (accessory).

Fan complies with the guidelines required (Machinery-, EMC- and Low Voltage Directive) to comply with installation and conformity declaration as well as CE marking.

#### Nominal Data:

Voltage

1~200-277 V

Frequency

50/60 Hz

Input power

0,31 kW

Current

1,37 A

Speed

3250 r/min

Medium temperature

50 °C

Protection Mode

IP 54

Weight

12,5 kg

Dimensions

560 mm / 560 mm / 360 mm

#### Contact:

Rosenberg Ventilatoren BV

Elandlaan 8

NL - 3734 CP Den Dolder

[www.rosenberg.nl](http://www.rosenberg.nl)

#### Type:

DVE 250-G.3DI

#### Article-No.:

A05-25000

