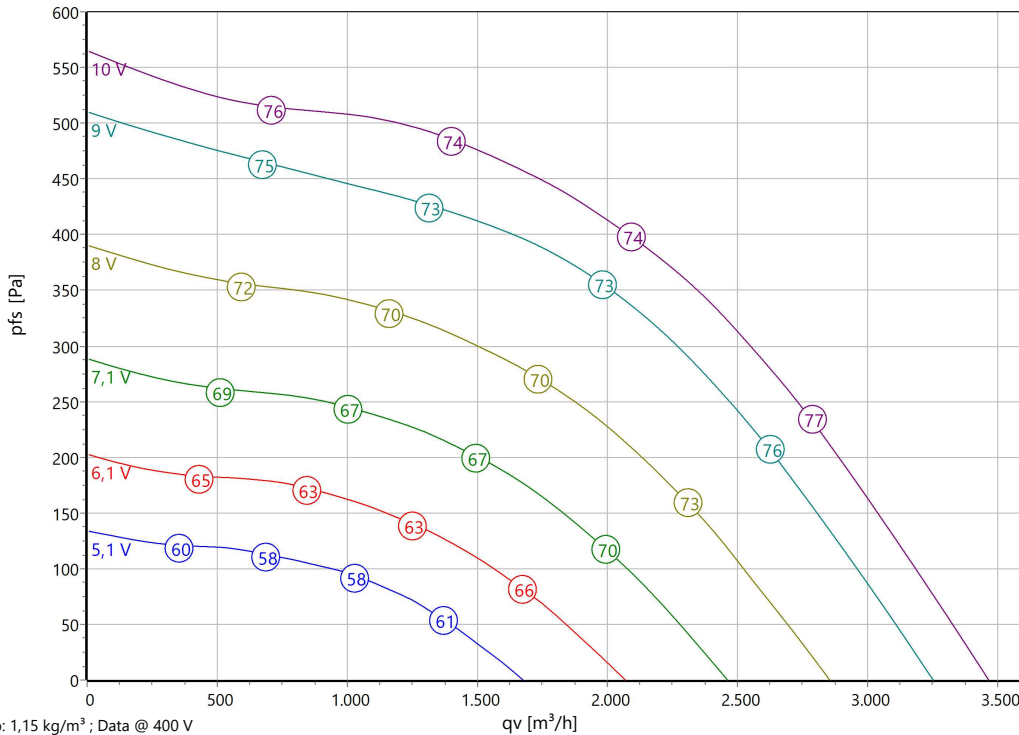




Type: **DVE 355-G.5FA**
Part no.: A05-35546



Curve:



ErP-Data:

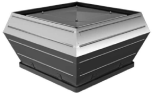
(EU) Nr. 1253/2014	(Lot6)
qV	2094 m ³ /h
pfs	418 Pa
ηfs	49,3 %
Ped	0,49 kW
n	1750 r/min
N	54
v	4,54 m/s
ηfs Lot11	57,9 %

Nominal Data:

U [V]	f [Hz]	Data @ [V]	Ped [kW]	IN [A]	nN [r/min]	tR [°C]	k10 [m ² /h]	Eff.-Rating	IP	m [kg]
3~380-480	50/60	400	0,5	1	1750	-25 .. +60	-	IE4	IP 54	29

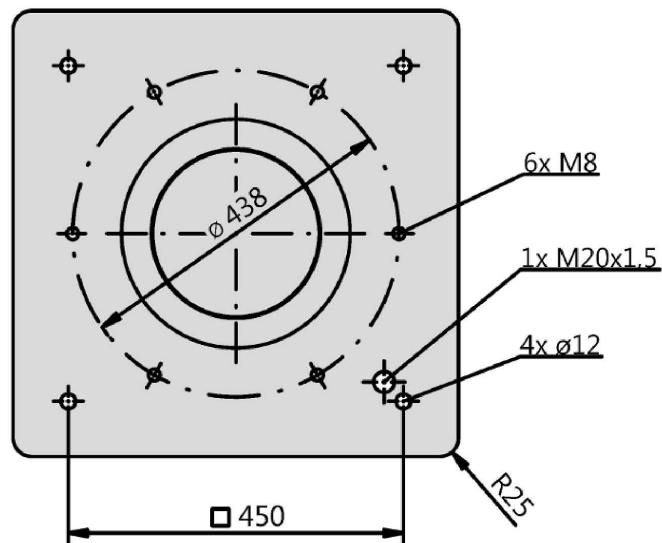
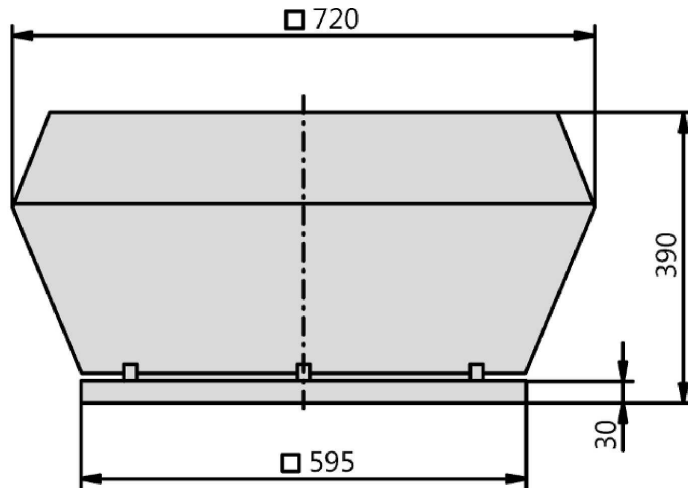
Sound Data:

Frequency	Σ	125Hz	250Hz	500Hz	1kHz	2kHz	4kHz	8kHz	Distances	1 m	5 m
LwA(A,in) [dB(A)]	-4	-21	-13	-10	-10	-10	-15	-22	LpA(A,in) [dB(A)]	-11	-22
LwA(A,out) [dB(A)]		-16	-6	-6	-6	-8	-13	-21	LpA(A,out) [dB(A)]	-7	-18



Type: **DVE 355-G.5FA**

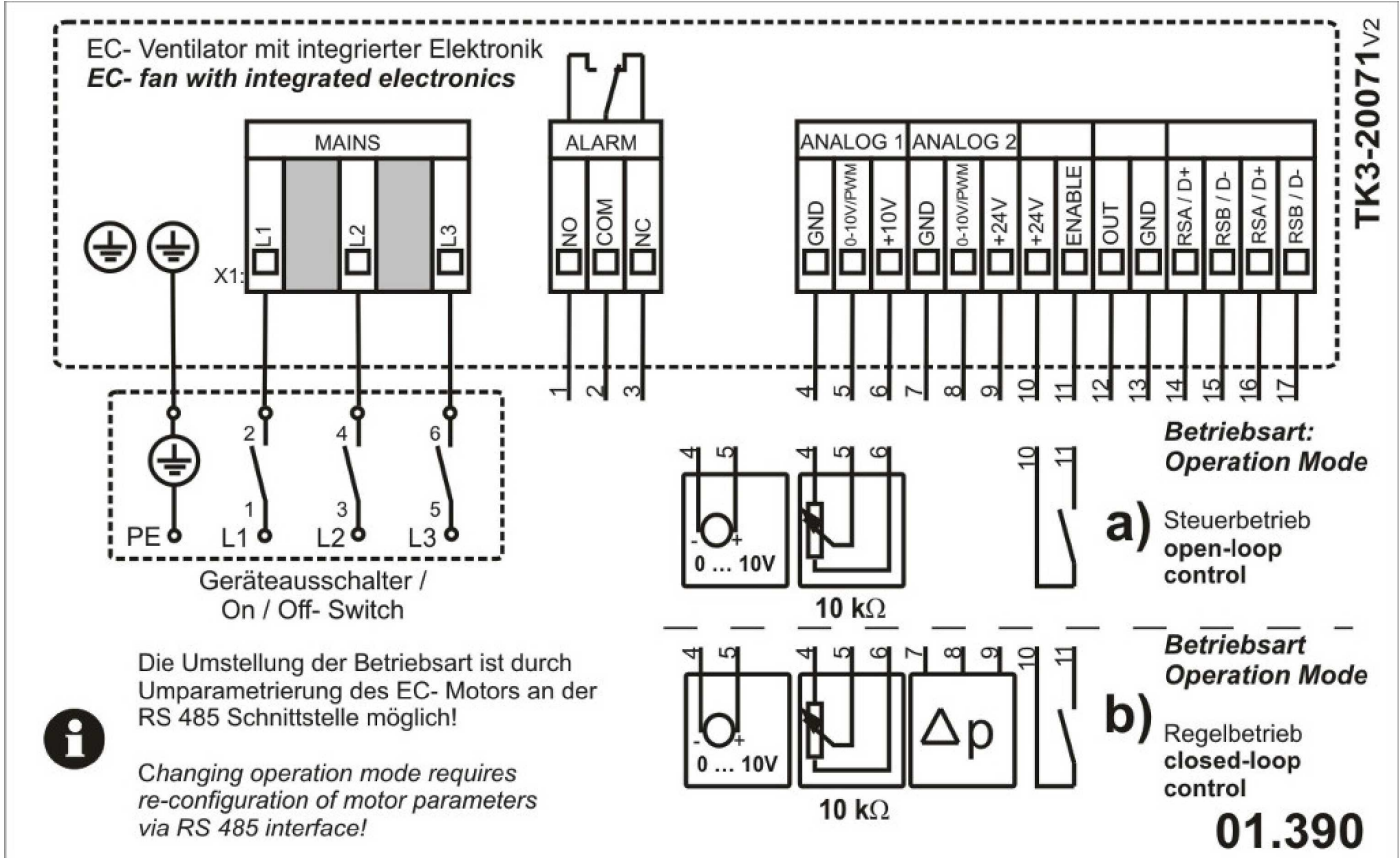
Part no.: A05-35546





Type: **DVE 355-G.5FA**

Part no.: A05-35546



EC Roof Fan, Open-loop control

vertical outlet

Rain protection cover and square housing made of aluminium. Base frame equipped with threaded bolts for tightening accessories on suction side and a bended inlet cone, manufactured of galvanized sheet metal. Impeller of the E-series (Revolution) made of black, UV-stabilized and long glass fibre reinforced Polypropylene (PP) with 7 backward curved, profiled blades and narrow efficiency optimized circumferential diffusor. Sound and weight optimized. Corrosion resistant and compact design. Air Flow orientated behaviour. Energy saving EC external-rotor motor exceeds IE4 / Super Premium Efficiency. Maintenance free ball bearings, closed on both sides with long-term lubrication. Magnets without rare earth elements. Motor coated black and/or die casted aluminum. Protection Class IP54. 1-phase types with cable for supply and controlling and integrated active PFC (Power Factor Correction). 3-phase types with integrated terminal box and environmental resistant cable glands (3x M20x1,5). 100% speed controllable with integrated Motor Protection. ModBus RTU Interface integrated. Busconfiguration possible on site by customer. Soft Start. Potential-free Alarm Contact and integrated 24V Supply for Accessories. Applicable in all common energy grids. Low noise commutation. Motorized Impeller statically and dynamically balanced according to DIN ISO 21940-11 at least with quality level G6.3. The electrical connection is mounted on the housing by a terminal box. The speed can be set via the included potentiometer (Pot-KK). Optionally, the speed can be set infinitely variable via an external 0-10V signal or via a separate potentiometer (accessory).

Fan complies with the guidelines required (Machinery-, EMC- and Low Voltage Directive) to comply with installation and conformity declaration as well as CE marking.

Nominal Data:

Voltage

3~380-480 V

Frequency

50/60 Hz

Input power

0,5 kW

Current

1 A

Speed

1750 r/min

Medium temperature

60 °C

Protection Mode

IP 54

Efficiency Class

IE4

Weight

29 kg

Dimensions

720 mm / 720 mm / 400 mm

Contact:

Rosenberg Ventilatoren BV

Elandlaan 8

NL - 3734 CP Den Dolder

www.rosenberg.nl

Type:

DVE 355-G.5FA

Article-No.:

A05-35546
