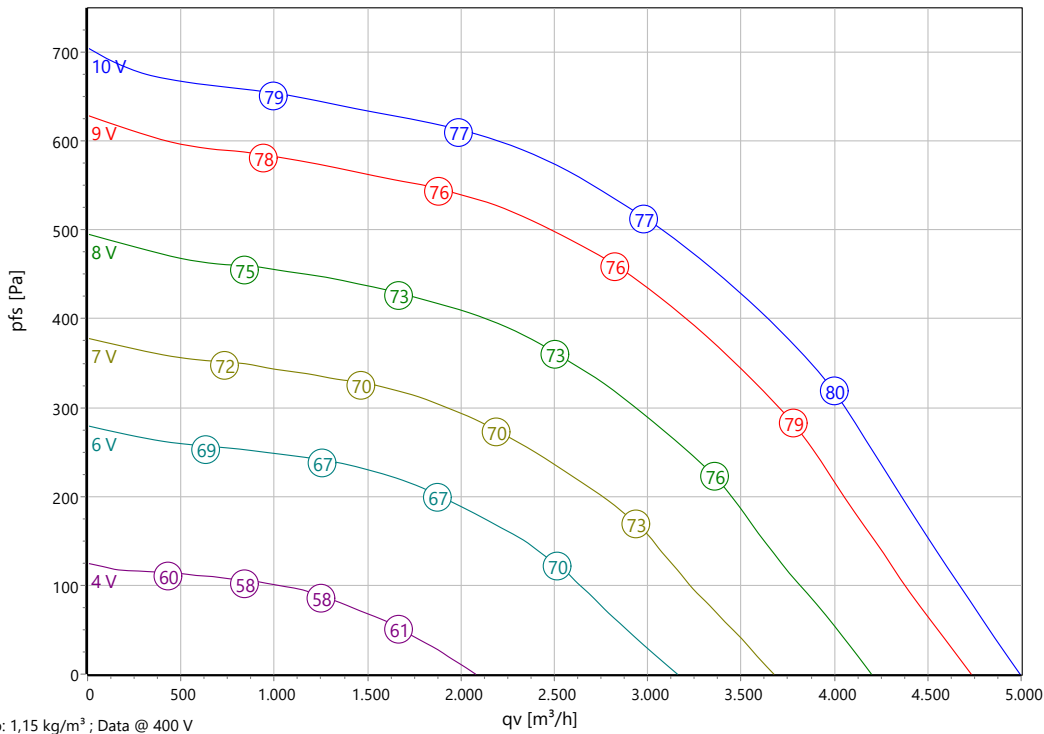




Type: **DVE 400-G.5FA Gen3**
GS4 (speed control, including potentiometer)
Part no.: A05-40068



Curve:



p: 1,15 kg/m³ ; Data @ 400 V

ErP-Data:

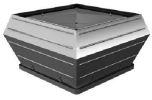
(EU) Nr. 1253/2014 (Lot6)		
Q _v	2685	m³/h
P _{fs}	553	Pa
η _{fs}	53,8	%
P _{ed}	0,768	kW
n	1755	r/min
N	55	N
v	5,29	m/s
η _{fs} Lot11	63	%

Nominal Data:

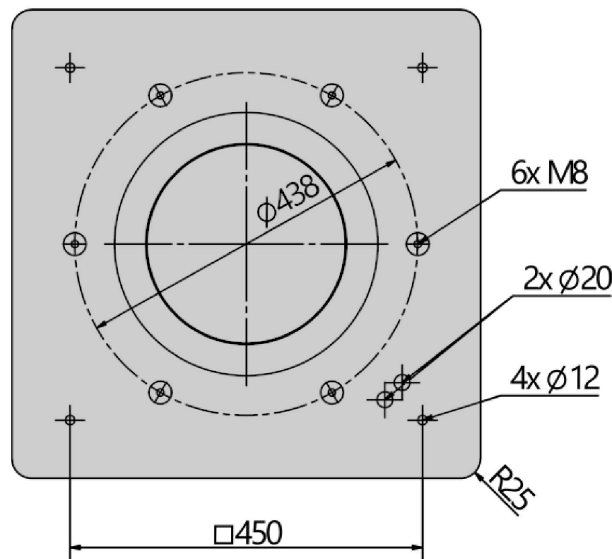
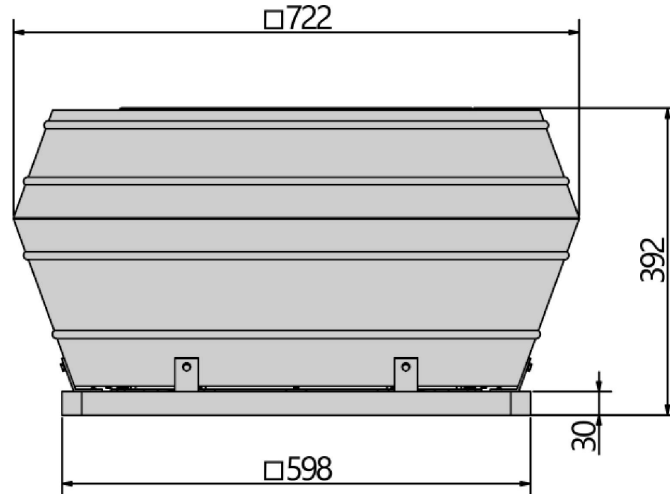
U [V]	f [Hz]	Data @ [V]	P _{ed} [kW]	I _N [A]	n _N [r/min]	t _R [°C]	k ₁₀ [m²s/h]	Eff.-Rating	IP	m [kg]
3~380-480	50/60	400	0,8	1,46	1755	-25 .. +60	-	IE5	IP 54	29

Sound Data:

Frequency	Σ		125Hz	250Hz	500Hz	1kHz	2kHz	4kHz	8kHz	Distances	1 m	6 m
LwA(A,in) [dB(A)]	-5	-	-18	-9	-6	-6	-6	-11	-17	LpA(A,in) [dB(A)]	-12	-24
LwA(A,out) [dB(A)]		-	-19	-6	-6	-5	-9	-15	-22	LpA(A,out) [dB(A)]	-7	-19

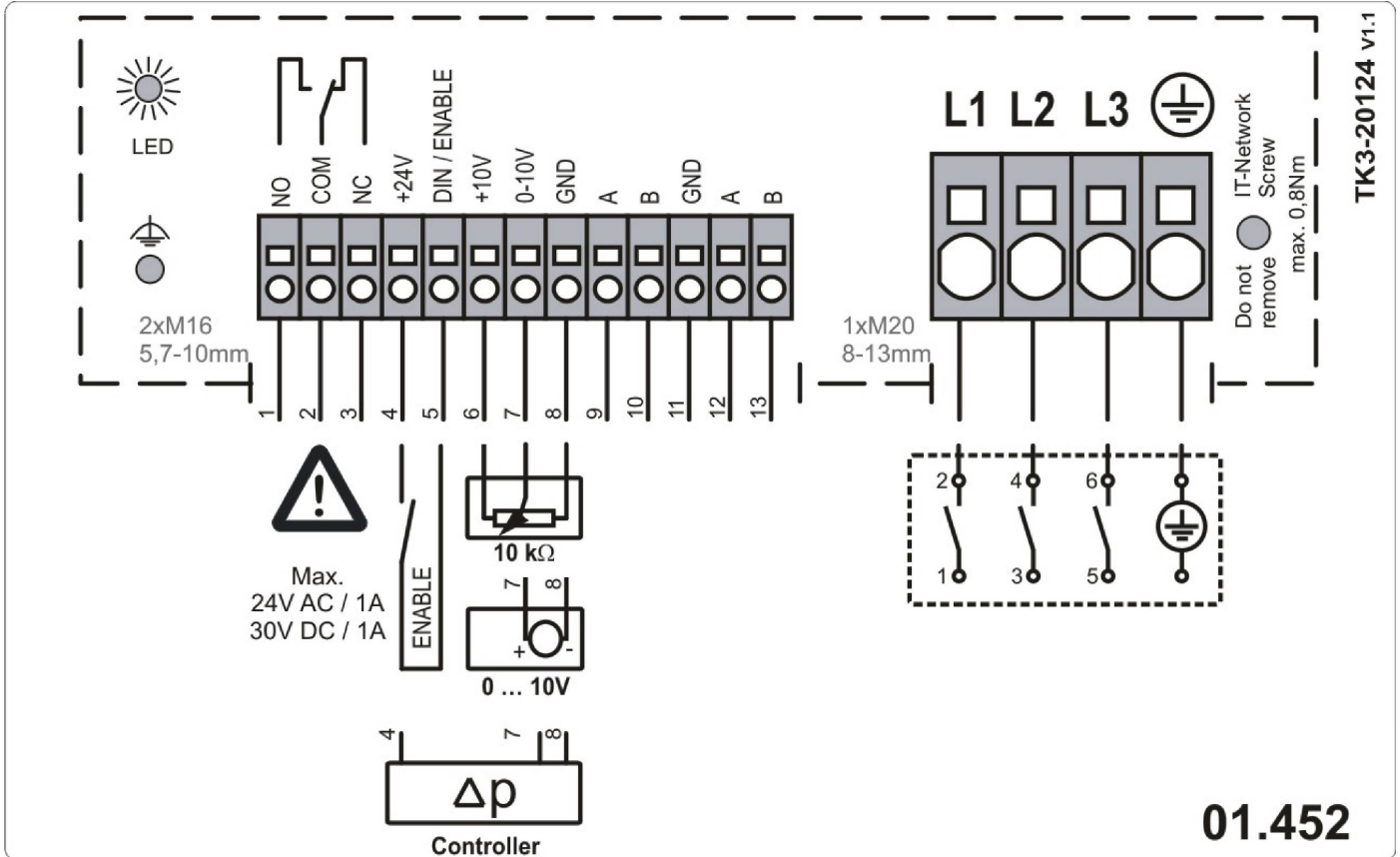


Type: **DVE 400-G.5FA Gen3**
GS4 (speed control, including potentiometer)
Part no.: A05-40068





Type: **DVE 400-G.5FA Gen3**
 GS4 (speed control, including potentiometer)
 Part no.: A05-40068



EC Roof Fan, speed controlled

vertical outlet

Rain protection cover and square housing made of aluminium. Base frame equipped with threaded bolts for tightening accessories on suction side and a bended inlet cone, manufactured of galvanized sheet metal. Impeller of the E-series (Revolution) made of black, UV-stabilized and long glass fibre reinforced Polypropylene (PP) with 7 backward curved, profiled blades and narrow efficiency optimized circumferential diffusor. Sound and weight optimized. Corrosion resistant and compact design. Air Flow orientated behaviour. Energy saving EC external -rotor motor of the 3rd generation. Exceeds in accordance with IEC 60034 -30-2 minimum requirements for IE5 (Ultra Premium Efficiency). Maintenance free ball bearings, closed on both sides with long-term lubrication. Magnets without rare earth elements. Motor made of die casted aluminum. Protection Class IP54 and insulation class F. Electronic with integrated terminal box and environmental resistant cable glands (2x M16 and 1x M20). Status LED integrated. 100% speed controllable with integrated Motor Protection and Soft Start. ModBus RTU Interface integrated. Busconfiguration possible on site by customer. Potential-free Alarm Contact and integrated 24V Supply for accessories. Applicable in all common energy grids and IT-Network. Low noise commutation. Motorized Impeller statically and dynamically balanced according to DIN ISO 21940-11 at least with quality level G6.3. The electrical connection is possible over the mounted ON/OFF - switch. The speed can be set via the included potentiometer (Pot -KK). Optionally, the speed can be set infinitely variable via an external 0-10V signal or via a separate potentiometer (accessory).

Fan complies with the guidelines required (Machinery -, EMC- and Low Voltage Directive) to comply with installation and conformity declaration as well as CE marking.

Nominal Data:

Voltage

3~380-480 V

Frequency

50/60 Hz

Input power

0,8 kW

Current

1,46 A

Speed

1755 r/min

Medium temperature

60 °C

Protection Mode

IP 54

Efficiency Class

IE5

Weight

29 kg

Dimensions

900 mm / 900 mm / 450 mm

Contact:

Rosenberg Ventilatoren BV

Elandlaan 8

NL - 3734 CP Den Dolder

www.rosenberg.nl

Type:

DVE 400-G.5FA Gen3

Article-No.:

A05-40068

GS - ON/OFF-switch

ON/OFF-Switch of category AC-23 (switch from engines or other high -inductive loads) according to DIN VDE 0660 part 100. For the security and the electrical equipment of machines the regulations DIN VDE 0113 part 1 and/or EN 60204 part 1 apply. Enclosure IP 65.

Handling of the connection diagram: On the connection diagram (e.g. 1/2; 3/4; ...) the operated condition of the switching contacts is marked by an X. The number and kind of the main and auxiliary contacts are defined in switching position 0/OFF. NO corresponds to "normally open" and NC "normally closed". Example GS 1: If the switch is in position 0, then the switching contact 11/12 of the ON/OFF -switch is closed. This is operated by an X mark. Will the switch moved by the 0 position into the 1position, then the contacts are 1/2; 3/4; 5/6; 7/8; 9/10 are closed.

Scope of delivery:

ON/OFF switch (GS)

Documentation

Technical Data:

Voltage: 230/400 V

Frequency: 50 Hz

Switching capacity: 4,0/7,5 kW

Main contact: 3 NO

Protection Class: IP 65

Width: 90,5 mm

Height: 90,5 mm

Depth: 102 mm

Weight: 0,25 kg

Color: red/yellow

Type:

GS 4

Article-No.:

H80-00033rtge

POT-KK - Differential pressure controller

Potentiometer 20kOhm. Rotating Section 0 -270°. Scaling 0-100%. PCB with cable. Protection Class IP20.

Scope of delivery:

Potentiometer (POT-KK)

Documentation

Technical Data:

Width: 20 mm

Height: 10 mm

Depth: 10 mm

Weight: 100 g

Type:

POT-KK

Article-No.:

H55-00057
