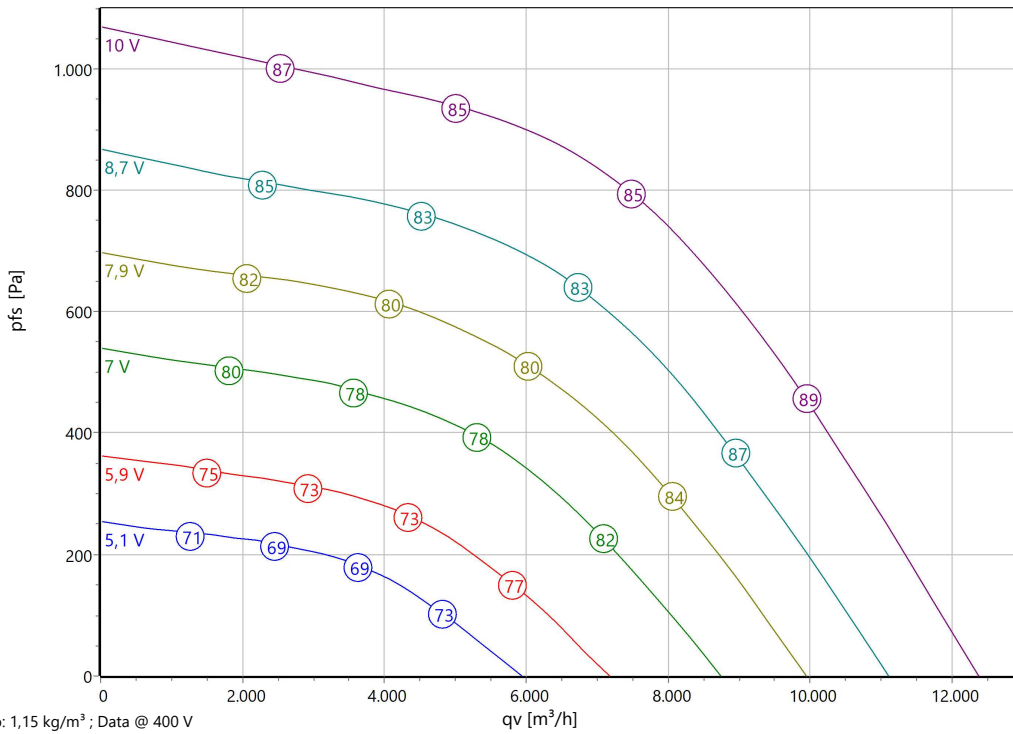




Type: **DVE 560-G.6IF**  
Part no.: A05-56042



**Curve:**



**ErP-Data:**

	(EU) Nr. 1253/2014	(Lot6)
qV	7928	m³/h
pfs	781	Pa
ηfs	54,9	%
Ped	3,13	kW
n	1550	r/min
N	48	
v	7,81	m/s
ηfs Lot11	60	%

**Nominal Data:**

U [V]	f [Hz]	Data @ [V]	Ped [kW]	IN [A]	nN [r/min]	tR [°C]	k10 [m²s/h]	Eff.-Rating	IP	m [kg]
3~380-480	50/60	400	3,15	4,7	1550	-25 .. +50	-	IE4	IP 54	77

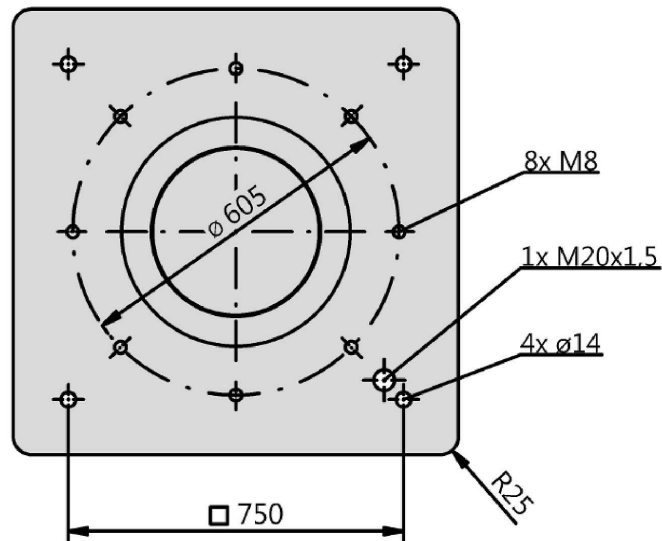
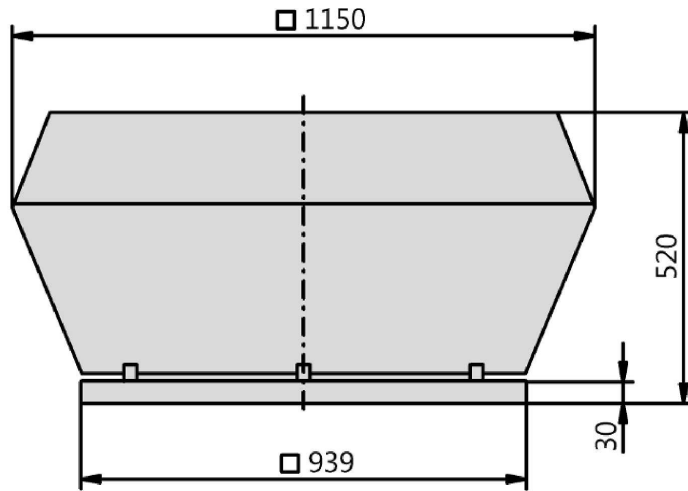
**Sound Data:**

Frequency	Σ	125Hz	250Hz	500Hz	1kHz	2kHz	4kHz	8kHz	Distances	1 m	5 m
LwA(A,in) [dB(A)]	-6	-20	-12	-12	-12	-14	-21	-25	LpA(A,in) [dB(A)]	-13	-24
LwA(A,out) [dB(A)]		-13	-5	-5	-5	-9	-17	-23	LpA(A,out) [dB(A)]	-7	-18



Type: **DVE 560-G.6IF**

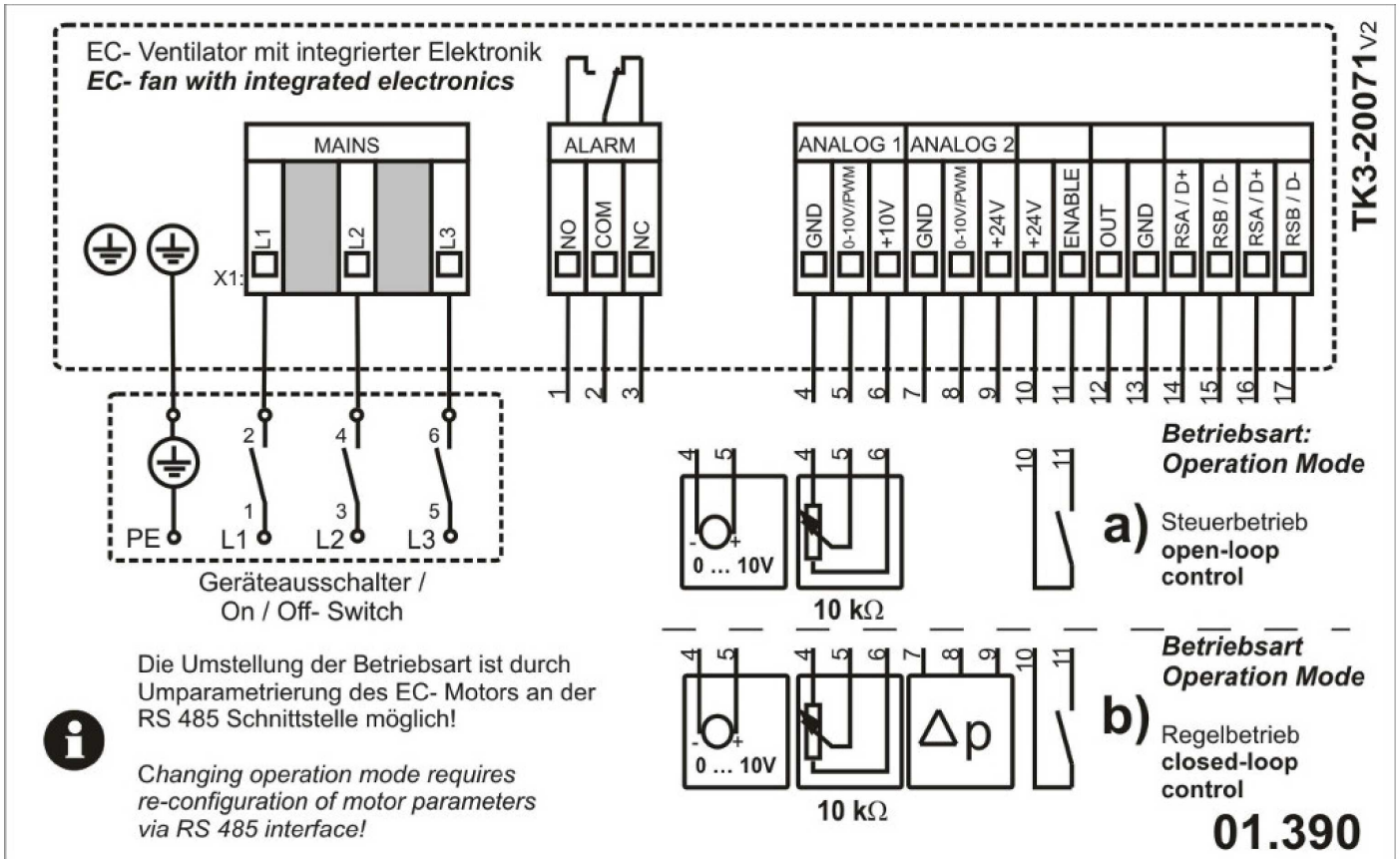
Part no.: A05-56042





Type: **DVE 560-G.6IF**

Part no.: A05-56042



### EC Roof Fan, Open-loop control

vertical outlet

Rain protection cover and square housing made of aluminium. Base frame equipped with threaded bolts for tightening accessories on suction side and a bended inlet cone, manufactured of galvanized sheet metal. Impeller of the E-series (Revolution) made of black, UV-stabilized and long glass fibre reinforced Polypropylene (PP) with 7 backward curved, profiled blades and narrow efficiency optimized circumferential diffusor. Sound and weight optimized. Corrosion resistant and compact design. Air Flow orientated behaviour. Energy saving EC external-rotor motor exceeds IE4 / Super Premium Efficiency. Maintenance free ball bearings, closed on both sides with long-term lubrication. Magnets without rare earth elements. Motor coated black and/or die casted aluminum. Protection Class IP54. 1-phase types with cable for supply and controlling and integrated active PFC (Power Factor Correction). 3-phase types with integrated terminal box and environmental resistant cable glands (3x M20x1,5). 100% speed controllable with integrated Motor Protection. ModBus RTU Interface integrated. Busconfiguration possible on site by customer. Soft Start. Potential-free Alarm Contact and integrated 24V Supply for Accessories. Applicable in all common energy grids. Low noise commutation. Motorized Impeller statically and dynamically balanced according to DIN ISO 21940-11 at least with quality level G6.3. The electrical connection is mounted on the housing by a terminal box. The speed can be set via the included potentiometer (Pot-KK). Optionally, the speed can be set infinitely variable via an external 0-10V signal or via a separate potentiometer (accessory).

Fan complies with the guidelines required (Machinery-, EMC- and Low Voltage Directive) to comply with installation and conformity declaration as well as CE marking.

#### Nominal Data:

Voltage

3~380-480 V

Frequency

50/60 Hz

Input power

3,15 kW

Current

4,7 A

Speed

1550 r/min

Medium temperature

50 °C

Protection Mode

IP 54

Efficiency Class

IE4

Weight

77 kg

Dimensions

1150 mm / 1150 mm / 570 mm

#### Contact:

Rosenberg Ventilatoren BV

Elandlaan 8

NL - 3734 CP Den Dolder

[www.rosenberg.nl](http://www.rosenberg.nl)

**Type:**

DVE 560-G.6IF

**Article-No.:**

A05-56042

---