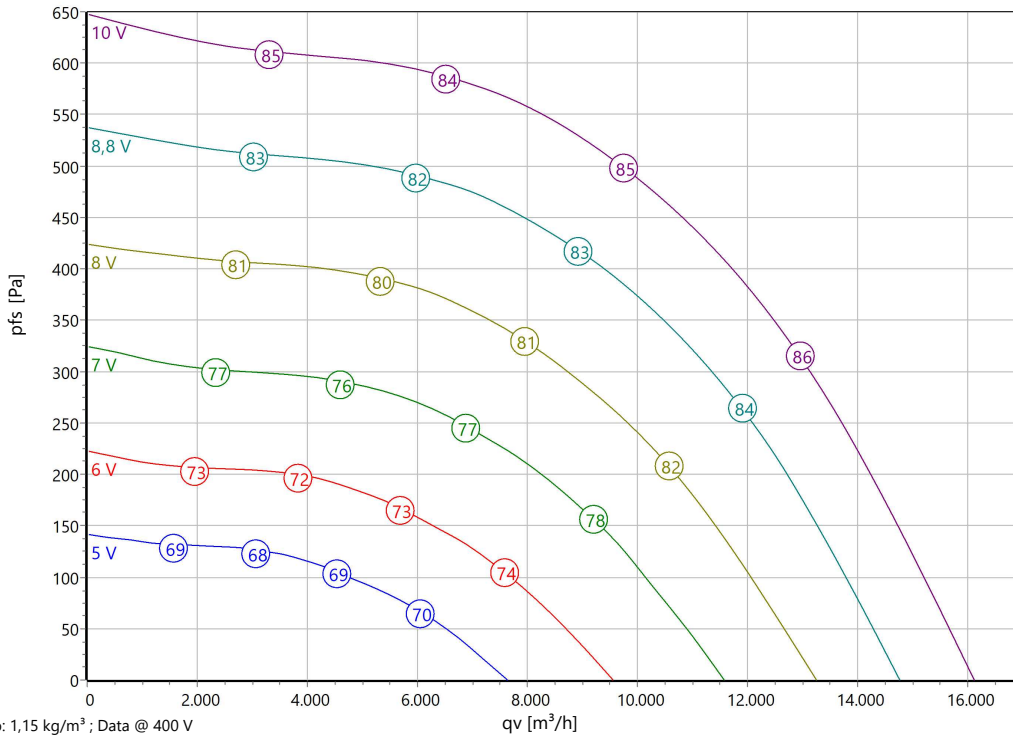


Type: **DVW 710-G.6NA**  
Part no.: A05-71010



**Curve:**



**ErP-Data:**

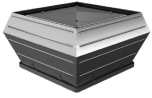
	(EU) Nr. 1253/2014	(Lot6)
qV	9820	m³/h
pfs	517	Pa
ηfs	53,1	%
Ped	2,65	kW
n	940	r/min
N	47	
v	6,75	m/s
ηfs Lot11	56,6	%

**Nominal Data:**

U [V]	f [Hz]	Data @ [V]	Ped [kW]	IN [A]	nN [r/min]	tR [°C]	k10 [m²s/h]	Eff.-Rating	IP	m [kg]
3~380-480	50/60	400	2,65	4,1	940	-25 .. +50	-	IE4	IP 54	110

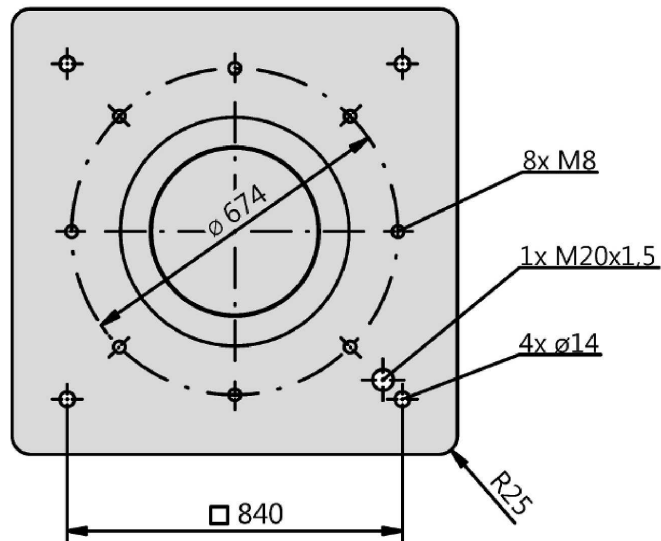
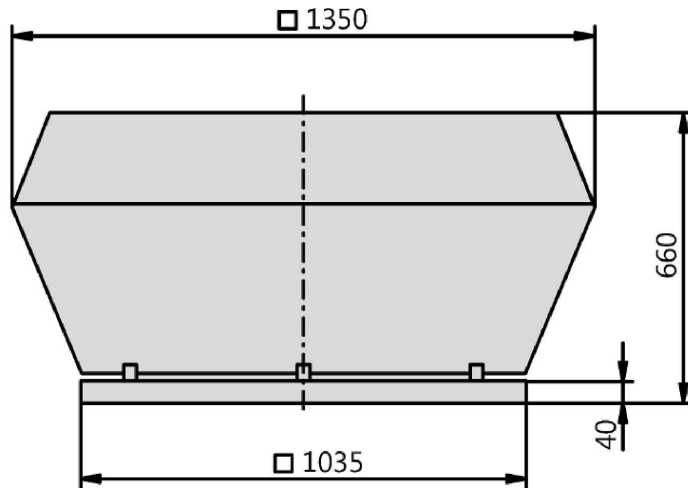
**Sound Data:**

Frequency	Σ	125Hz	250Hz	500Hz	1kHz	2kHz	4kHz	8kHz	Distances	1 m	5 m
LwA(A,in) [dB(A)]	-3	-18	-13	-8	-7	-12	-20	-29	LpA(A,in) [dB(A)]	-10	-21
LwA(A,out) [dB(A)]		-16	-9	-5	-5	-8	-13	-21	LpA(A,out) [dB(A)]	-7	-18



Type: **DVW 710-G.6NA**

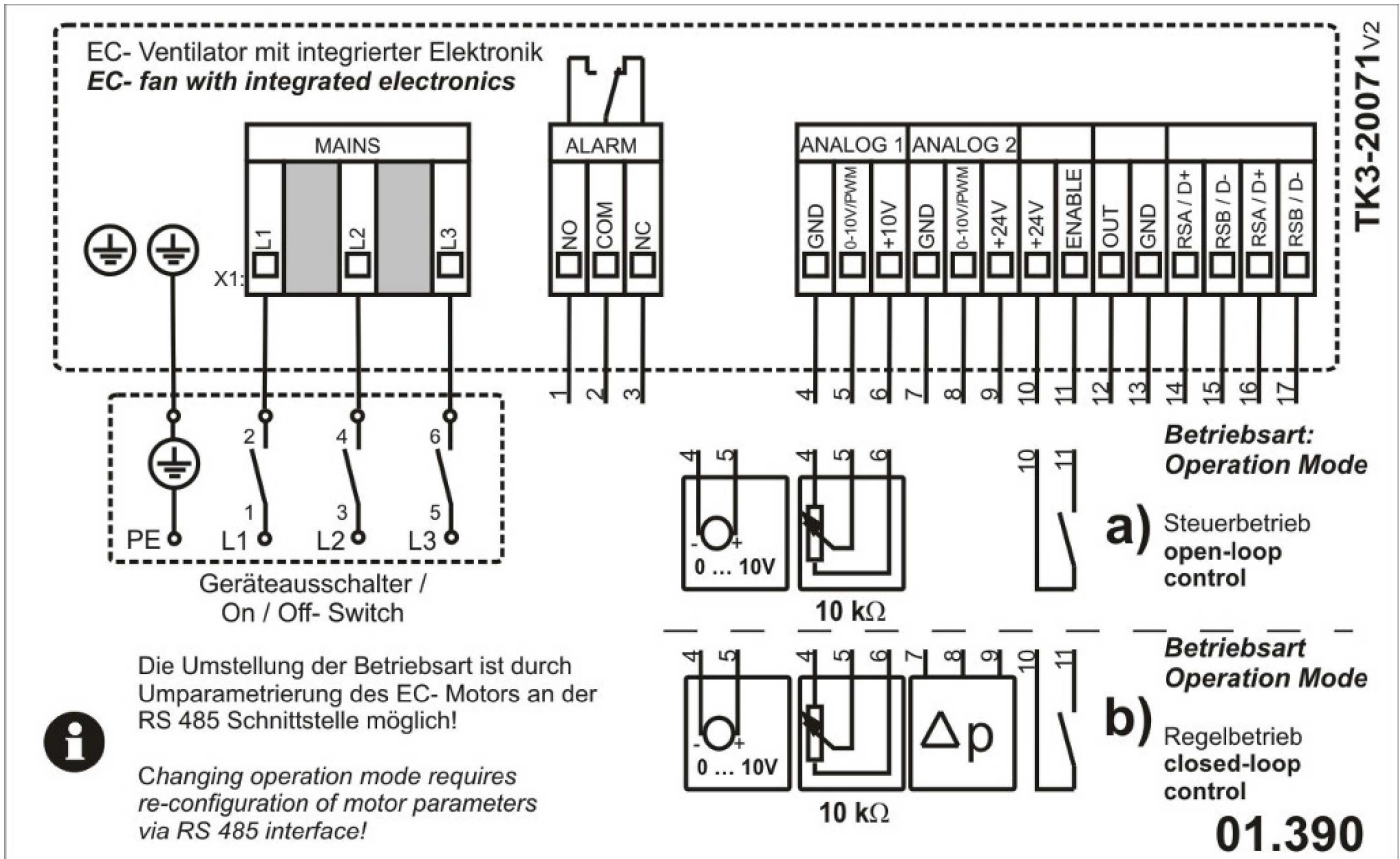
Part no.: A05-71010





Type: **DVW 710-G.6NA**

Part no.: A05-71010



### EC Roof Fan, Open-loop control

vertical outlet

Rain protection cover and square housing made of aluminium. Base frame equipped with threaded bolts for tightening accessories on suction side and a bended inlet cone, manufactured of galvanized sheet metal. Impeller made of aluminum (AlMg3) with 8 backward curved blades. Compact and flexible design. Energy saving EC external-rotor motor exceeds IE4 / Super Premium Efficiency. Maintenance free ball bearings, closed on both sides with long-term lubrication. Magnets without rare earth elements. Motor coated black and/or die casted aluminum. Protection Class IP54. 1-phase types with cable for supply and controlling and integrated active PFC (Power Factor Correction). 3-phase types with integrated terminal box and environmental resistant cable glands (3x M20x1,5). 100% speed controllable with integrated Motor Protection. ModBus RTU Interface integrated. Busconfiguration possible on site by customer. Soft Start. Potential-free Alarm Contact and integrated 24V Supply for Accessories. Applicable in all common energy grids. Low noise commutation. Motorized Impeller statically and dynamically balanced according to DIN ISO 21940-11 at least with quality level G6.3. The electrical connection is mounted on the housing by a terminal box. The speed can be set via the included potentiometer (Pot-KK). Optionally, the speed can be set infinitely variable via an external 0-10V signal or via a separate potentiometer (accessory).

Fan complies with the guidelines required (Machinery-, EMC- and Low Voltage Directive) to comply with installation and conformity declaration as well as CE marking.

### Nominal Data:

Voltage

3~380-480 V

Frequency

50/60 Hz

Input power

2,65 kW

Current

4,1 A

Speed

940 r/min

Medium temperature

50 °C

Protection Mode

IP 54

Efficiency Class

IE4

Weight

110 kg

Dimensions

1350 mm / 1350 mm / 680 mm

### Contact:

Rosenberg Ventilatoren BV

Elandlaan 8

NL - 3734 CP Den Dolder

[www.rosenberg.nl](http://www.rosenberg.nl)

### Type:

DVW 710-G.6NA

**Article-No.:**

A05-71010

---