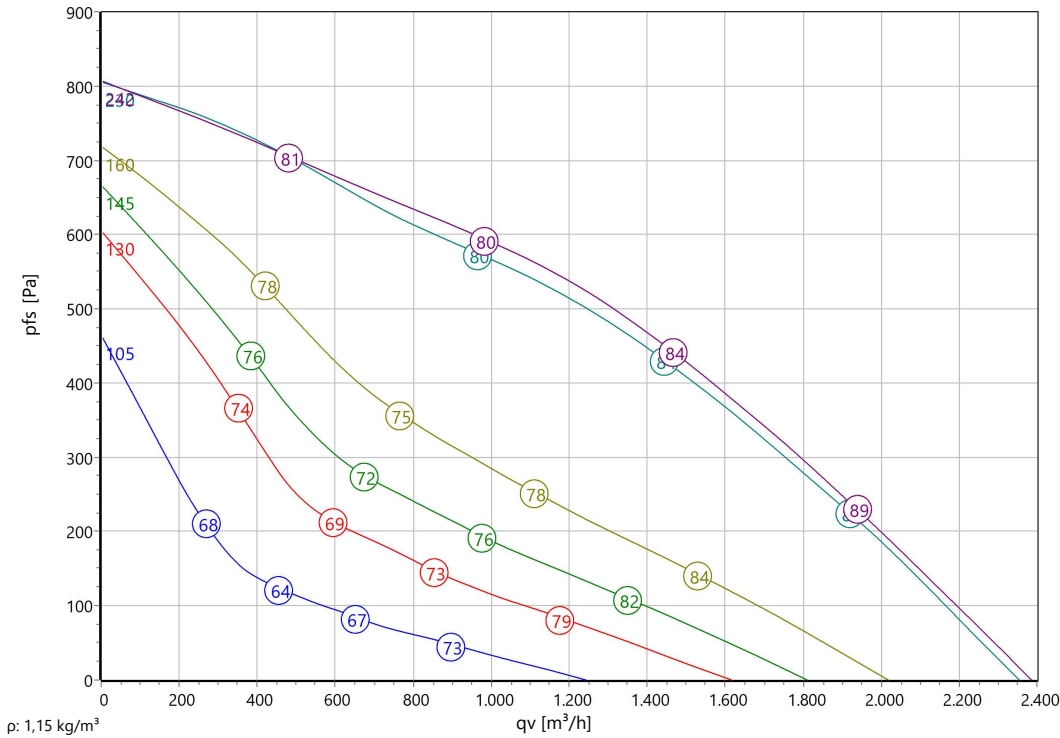




Type: **KHAE 280-2.5DF W**
Part no.: D14-28001



Curve:



ErP-Data:

(EU) Nr. 1253/2014	(Lot6)	
qV	1352	m³/h
pfs	484	Pa
ηfs	37,4	%
Pe	0,48	kW
n	2498	r/min
N	42	
v	3,00	m/s
ηfs Lot11	50,5	%

Nominal Data:

U [V]	f [Hz]	C [μF]	Pe [kW]	IN [A]	nN [r/min]	tR [°C]	k10 [m²s/h]	IA / IN	IP	m [kg]	ΔI
1~230	50	10	0,48	2,16	2500	-25 .. +60	-	2,1	IP 54	28	2,8 %

Sound Data:

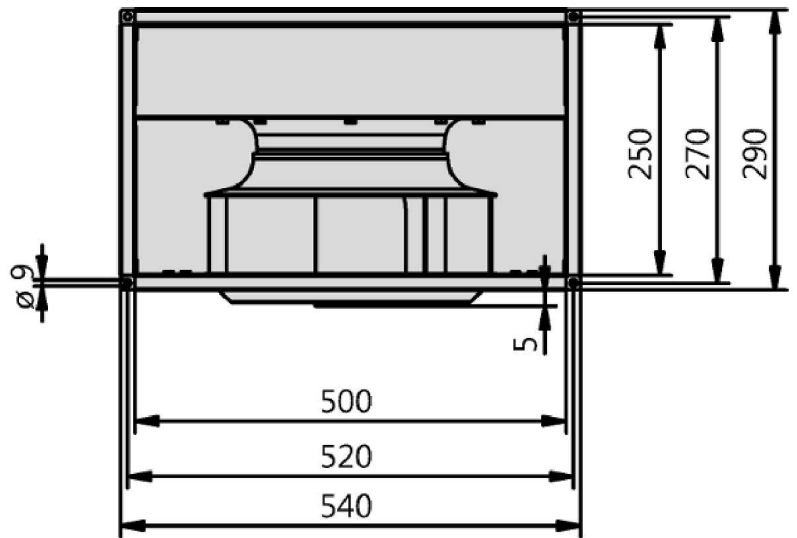
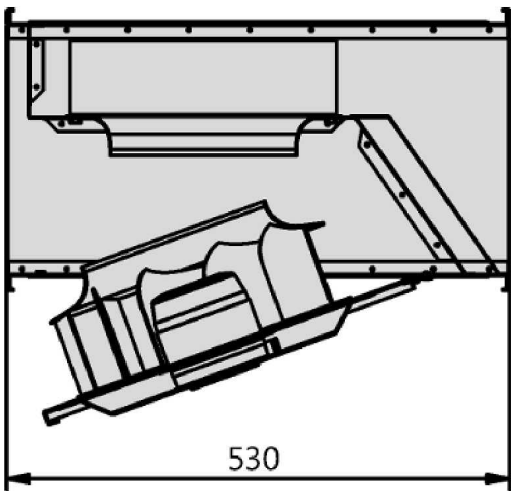
Frequency	Σ	125Hz	250Hz	500Hz	1kHz	2kHz	4kHz	8kHz	Distances	1 m	4 m
LwA(D,in) [dB(A)]	-5	-29	-10	-10	-12	-15	-18	-23	LpA(D,in) [dB(A)]	-12	-22
LwA(D,out) [dB(A)]		-26	-5	-6	-8	-8	-11	-15	LpA(D,out) [dB(A)]	-7	-17
LwA(D,cas) [dB(A)]	-12	-28	-17	-18	-19	-21	-24	-29	LpA(D,cas) [dB(A)]	-19	-29

LwA(cas) = LwA(out) - 12dB
LwA(in) = LwA(out) - 5dB



Type: **KHAE 280-2.5DF W**

Part no.: D14-28001





Type: **KHAE 280-2.5DF W**
 Part no.: D14-28001

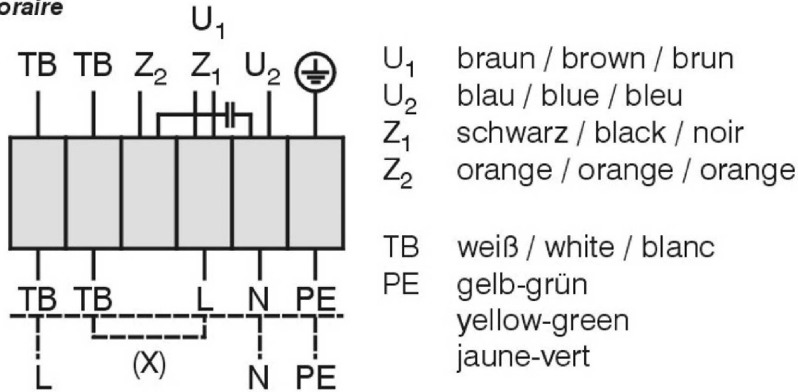


Einphasenwechselstrommotor mit Betriebskondensator und Thermostatschalter.
 Bei Verwendung von RE Steuergeräten TB mit der Wicklung in Reihe schalten.
 Hierfür Brücke (x) einlegen und gestrichelt gezeichnete Anschlüsse belegen.

Single phase A.C. motor with operating capacitor and thermostatic switch.
Thermostatic switch wired in series with windings if RE controllers are used.
Insert bridge (x) and wire connections shown as dash-line on the drawing.

Moteur monophasé avec condensateur permanent et interrupteur thermo-
statique branché en série avec le bobinage en cas de branchement avec des
régulateurs RE. Mettre un pont (x) et brancher toutes les connexions
dessinées en hachuré.

Rechtslauf
 clockwise
 rotation horaire



01.024

TK3-20010

Duct fan

with backward curved impellers and swing out motorized impellers

Casing made from galvanized steel, formed as a rectangular duct, for direct installation into air ducts. On inlet and outlet side 20 mms wide standard flanges. Equipped with complete swing-out motorized impellers for easy inspection cleaning and maintenance. Mounting either with horizontal or vertical motor shaft. Impeller made of aluminum (AlMg3) with 8 backward curved blades. Compact and flexible design. Voltage controllable AC external rotor motor. Maintenance free ball bearings, closed on both sides with long-term lubrication. Motor coated black and/or die casted aluminum. Standard configuration with cable. Motor protection is guaranteed by thermal contacts, which are inlaid into the motor windings. These contacts protect the motor from being overloaded through phase failure, too high medium temperature or locked rotor. Isolation Class F. Motorized Impeller statically and dynamically balanced according to DIN ISO 21940-11 at least with quality level G6.3. The electrical connection is mounted by a terminal box (loose). Air volume control: possible by the use of an electronic speed controller or a step transformer (accessory).

Fan complies with the guidelines required (Machinery-, EMC- and Low Voltage Directive) to comply with installation and conformity declaration as well as CE marking.

Nominal Data:

Voltage

1~230 V

Frequency

50 Hz

Input power

0,48 kW

Current

2,16 A

Speed

2500 r/min

Medium temperature

60 °C

Protection Mode

IP 54

Weight

28 kg

Dimensions

530 mm / 540 mm / 290 mm

Contact:

Rosenberg Ventilatoren BV

Elandlaan 8

NL - 3734 CP Den Dolder

www.rosenberg.nl

Type:

KHAE 280-2.5DF W

Article-No.:

D14-28001