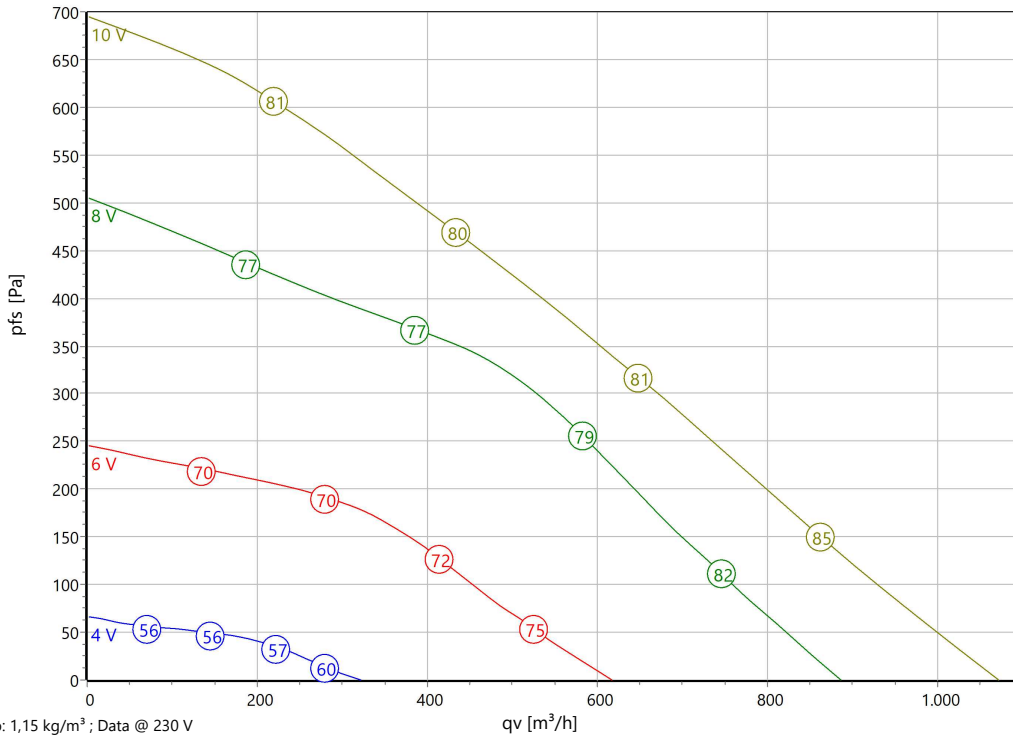




Type: **KHAG 225.3BK W**
Part no.: D15-22500



Curve:



p: 1,15 kg/m³ ; Data @ 230 V

ErP-Data:

	(EU) Nr. 1253/2014	(Lot6)
qV	545	m³/h
pfs	409	Pa
ηfs	39,8	%
Ped	0,156	kW
n	3157	r/min
N	51	
v	1,89	m/s
ηfs Lot11	53,6	%

Nominal Data:

U [V]	f [Hz]	Data @ [V]	Ped [kW]	IN [A]	nN [r/min]	tR [°C]	k10 [m²s/h]	IA / IN	IP	m [kg]
1~200-240	50/60	230	0,16	1,1	3200	-20 .. +50	-	-	IP 44	12,5

Sound Data:

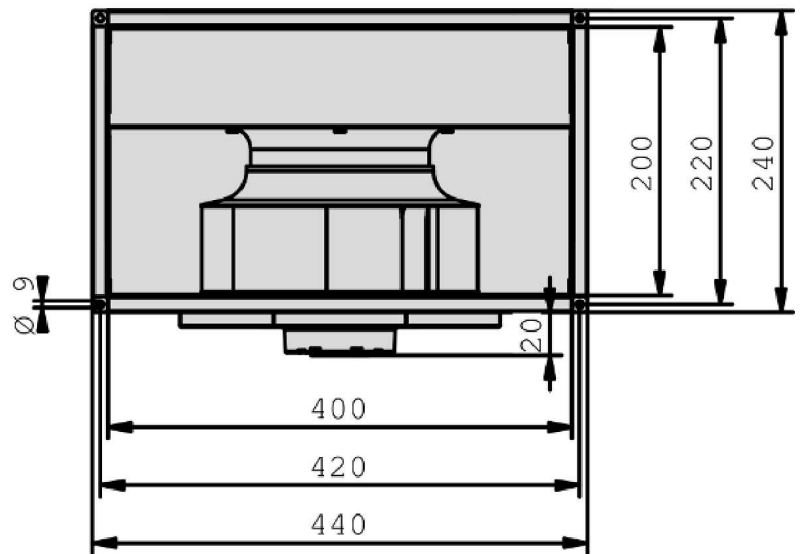
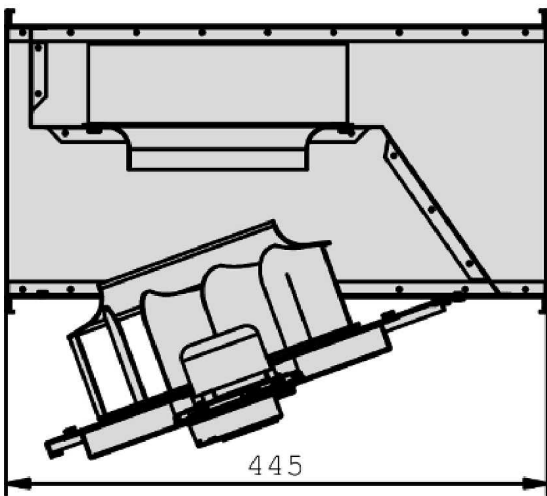
Frequency	Σ	125Hz	250Hz	500Hz	1kHz	2kHz	4kHz	8kHz	Distances	1 m	4 m
LwA(D,in) [dB(A)]	-5	-26	-15	-13	-9	-11	-17	-24	LpA(D,in) [dB(A)]	-12	-22
LwA(D,out) [dB(A)]		-27	-14	-4	-6	-7	-10	-21	LpA(D,out) [dB(A)]	-7	-17
LwA(D,cas) [dB(A)]	-16	-32	-22	-19	-24	-32	-36	-40	LpA(D,cas) [dB(A)]	-23	-33

LwA(cas) = LwA(out) - 17dB
LwA(in) = LwA(out) - 8dB



Type: **KHAG 225.3BK W**

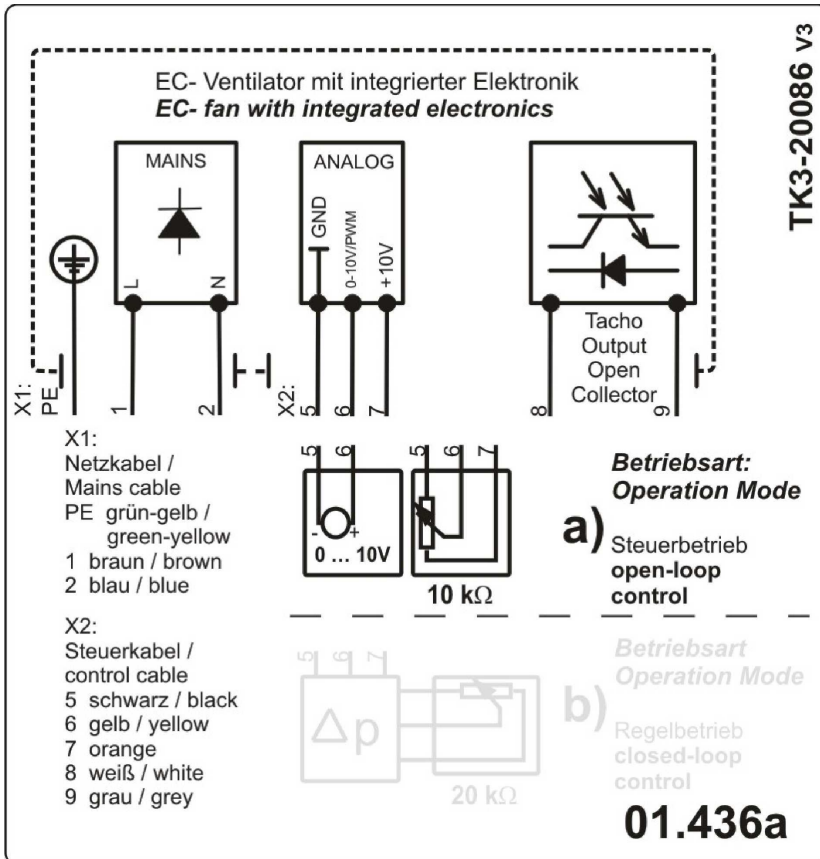
Part no.: D15-22500





Type: **KHAG 225.3BK W**

Part no.: D15-22500



EC-Duct fans (Duct dimensions 400x200mm)

with backward curved impellers and swing out motorized impellers

Casing made from galvanized steel, formed as a rectangular duct, for direct installation into air ducts. On inlet and outlet side 20 mms wide standard flanges. Equipped with complete swing-out motorized impellers for easy inspection cleaning and maintenance. Mounting either with horizontal or vertical motor shaft. Impeller made of aluminum (AlMg3) with 8 backward curved blades. Compact and flexible design. Energy saving EC external-rotor motor. Maintenance free ball bearings, closed on both sides with long-term lubrication. Motor coated black and/or electrogalvanized. Cable for supply and controlling connection. 100% speed controllable with integrated Motor Protection. Soft Start. Applicable in all common energy grids. Motorized Impeller statically and dynamically balanced according to DIN ISO 21940-11 with quality level G2.5. The electrical connection is mounted on the housing by a terminal box. Air volume control is possible over an 0-10V Signal (accessory).

Fan complies with the guidelines required (Machinery-, EMC- and Low Voltage Directive) to comply with installation and conformity declaration as well as CE marking.

Nominal Data:

Voltage

1~200-240 V

Frequency

50/60 Hz

Input power

0,16 kW

Current

1,1 A

Speed

3200 r/min

Medium temperature

50 °C

Protection Mode

IP 44

Weight

12,5 kg

Dimensions

445 mm / 440 mm / 240 mm

Contact:

Rosenberg Ventilatoren BV

Elandlaan 8

NL - 3734 CP Den Dolder

www.rosenberg.nl

Type:

KHAG 225.3BK W

Article-No.:

D15-22500