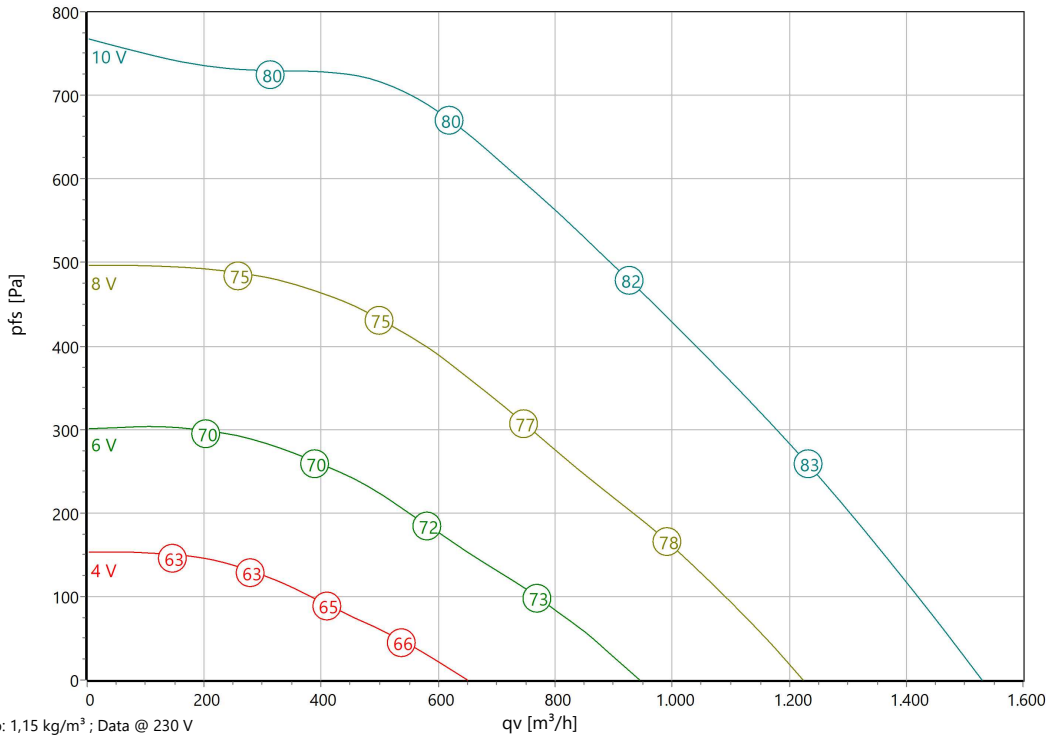




Type: **KHAG 250.3DI R**
Part no.: D15-25001



Curve:



p: 1,15 kg/m³ ; Data @ 230 V

ErP-Data:

	(EU) Nr. 1253/2014	(Lot6)
qV	761	m³/h
pfs	613	Pa
ηfs	42,5	%
Ped	0,3	kW
n	3400	r/min
N	50	
v	2,64	m/s
ηfs Lot11	60,3	%

Nominal Data:

U [V]	f [Hz]	Data @ [V]	Ped [kW]	IN [A]	nN [r/min]	tR [°C]	k10 [m²s/h]	IA / IN	IP	m [kg]
1~200-277	50/60	230	0,3	1,33	3400	-20 .. +50	-	-	IP 54	14,5

Sound Data:

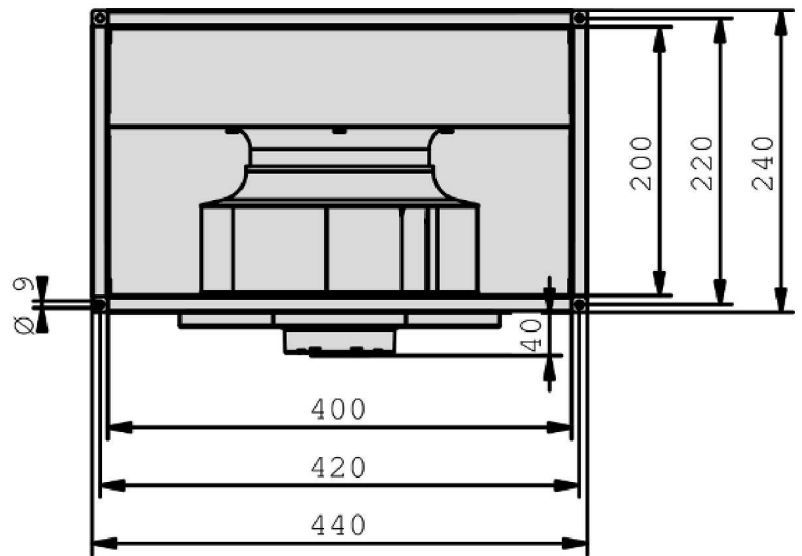
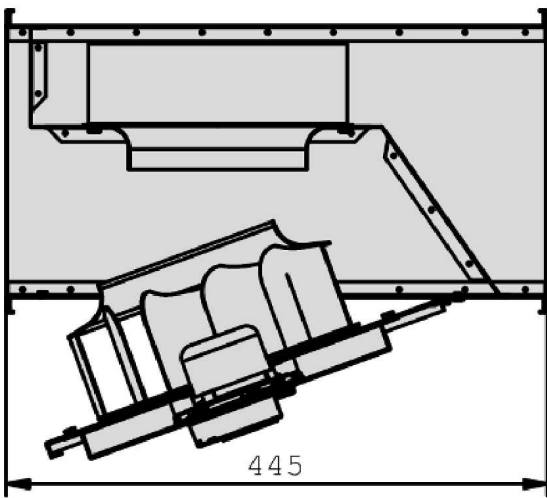
Frequency	Σ	125Hz	250Hz	500Hz	1kHz	2kHz	4kHz	8kHz	Distances	1 m	4 m
LwA(D,in) [dB(A)]	-3	-24	-10	-10	-9	-10	-12	-22	LpA(D,in) [dB(A)]	-10	-20
LwA(D,out) [dB(A)]		-27	-10	-6	-6	-6	-9	-20	LpA(D,out) [dB(A)]	-7	-17
LwA(D,cas) [dB(A)]	-21	-33	-27	-27	-28	-29	-33	-42	LpA(D,cas) [dB(A)]	-28	-38

LwA(cas) = LwA(out) - 21dB
LwA(in) = LwA(out) - 3dB



Type: **KHAG 250.3DI R**

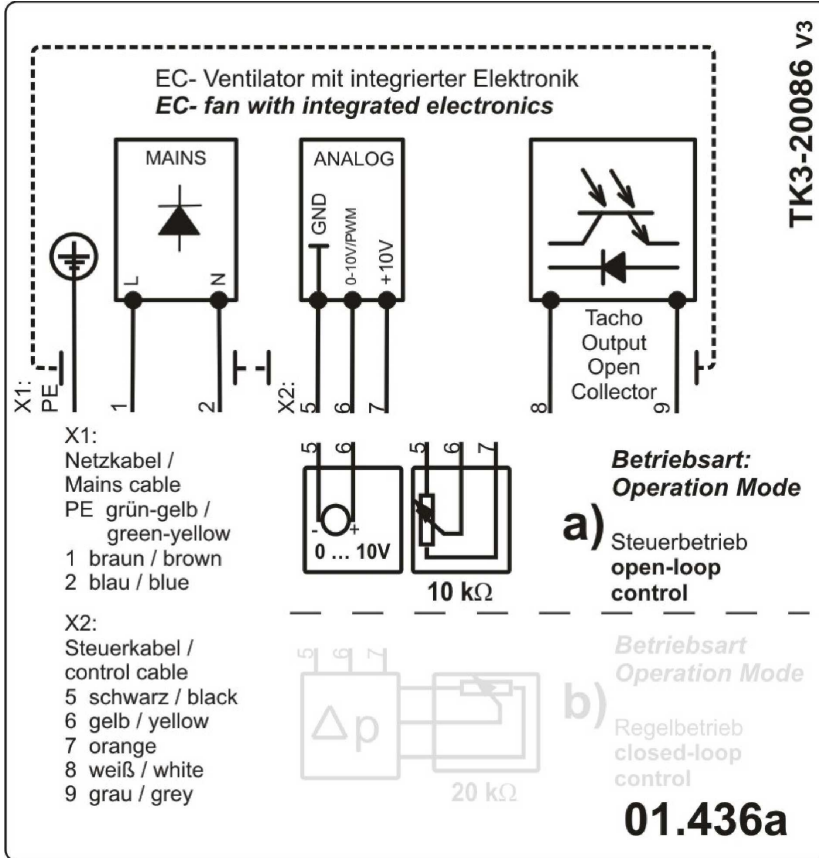
Part no.: D15-25001





Type: **KHAG 250.3DI R**

Part no.: D15-25001



EC-Duct fans (Duct dimensions 400x200mm)

with backward curved impellers and swing out motorized impellers

Casing made from galvanized steel, formed as a rectangular duct, for direct installation into air ducts. On inlet and outlet side 20 mms wide standard flanges. Equipped with complete swing-out motorized impellers for easy inspection cleaning and maintenance. Mounting either with horizontal or vertical motor shaft. Impeller of the E-series (Revolution) made of black, UV-stabilized and long glass fibre reinforced Polypropylene (PP) with 7 backward curved, profiled blades and narrow efficiency optimized circumferential diffusor. Sound and weight optimized. Corrosion resistant and compact design. Air Flow orientated behaviour. Energy saving EC external-rotor motor. Maintenance free ball bearings, closed on both sides with long-term lubrication. Motor coated black and/or electrogalvanized. Cable for supply and controlling connection. 100% speed controllable with integrated Motor Protection. Soft Start. Applicable in all common energy grids. Motorized Impeller statically and dynamically balanced according to DIN ISO 21940-11 with quality level G2.5. The electrical connection is mounted on the housing by a terminal box. Air volume control is possible over an 0-10V Signal (accessory).

Fan complies with the guidelines required (Machinery-, EMC- and Low Voltage Directive) to comply with installation and conformity declaration as well as CE marking.

Nominal Data:

Voltage

1~200-277 V

Frequency

50/60 Hz

Input power

0,3 kW

Current

1,33 A

Speed

3400 r/min

Medium temperature

50 °C

Protection Mode

IP 54

Weight

14,5 kg

Dimensions

445 mm / 440 mm / 240 mm

Contact:

Rosenberg Ventilatoren BV

Elandlaan 8

NL - 3734 CP Den Dolder

www.rosenberg.nl

Type:

KHAG 250.3DI R

Article-No.:

D15-25001

