

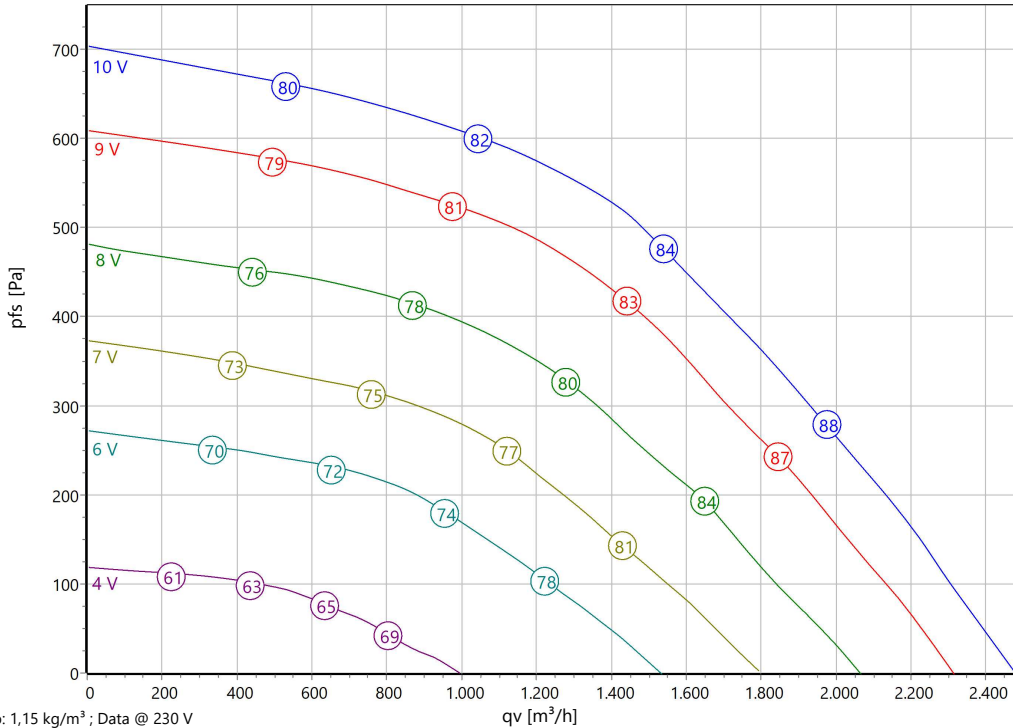


Type: **KHAG 280.4EA W**

Part no.: D15-28003



Curve:



p: 1,15 kg/m³ ; Data @ 230 V

ErP-Data:

(EU) Nr. 1253/2014	(Lot6)	
qV	1417	m³/h
pfs	523	Pa
ηfs	48,1	%
Ped	0,43	kW
n	2440	r/min
N	53	
v	3,15	m/s
ηfs Lot11	54,1	%

Nominal Data:

U [V]	f [Hz]	Data @ [V]	Ped [kW]	IN [A]	nN [r/min]	tR [°C]	k10 [m²s/h]	Eff.-Rating	IP	m [kg]
1~200-277	50/60	230	0,43	1,92	2440	-25 .. +50	-	IE4	IP 54	19,3

Sound Data:

Frequency	Σ	125Hz	250Hz	500Hz	1kHz	2kHz	4kHz	8kHz	Distances	1 m	4 m
LwA(D,in) [dB(A)]	-8	-31	-16	-14	-13	-16	-19	-24	LpA(D,in) [dB(A)]	-15	-25
LwA(D,out) [dB(A)]		-27	-8	-5	-6	-7	-12	-21	LpA(D,out) [dB(A)]	-7	-17
LwA(D,cas) [dB(A)]	-17	-30	-20	-23	-27	-31	-38	-47	LpA(D,cas) [dB(A)]	-24	-34

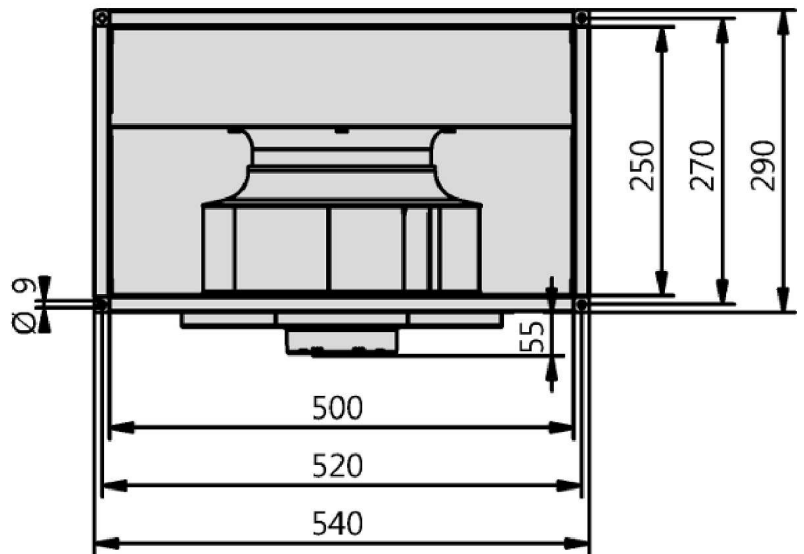
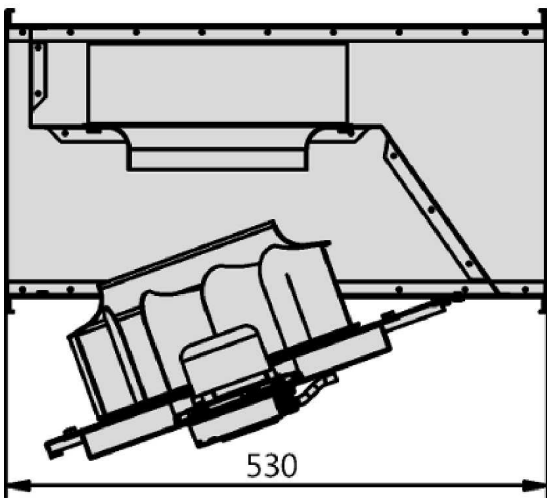
LwA(cas) = LwA(out) - 17dB

LwA(in) = LwA(out) - 8dB



Type: **KHAG 280.4EA W**

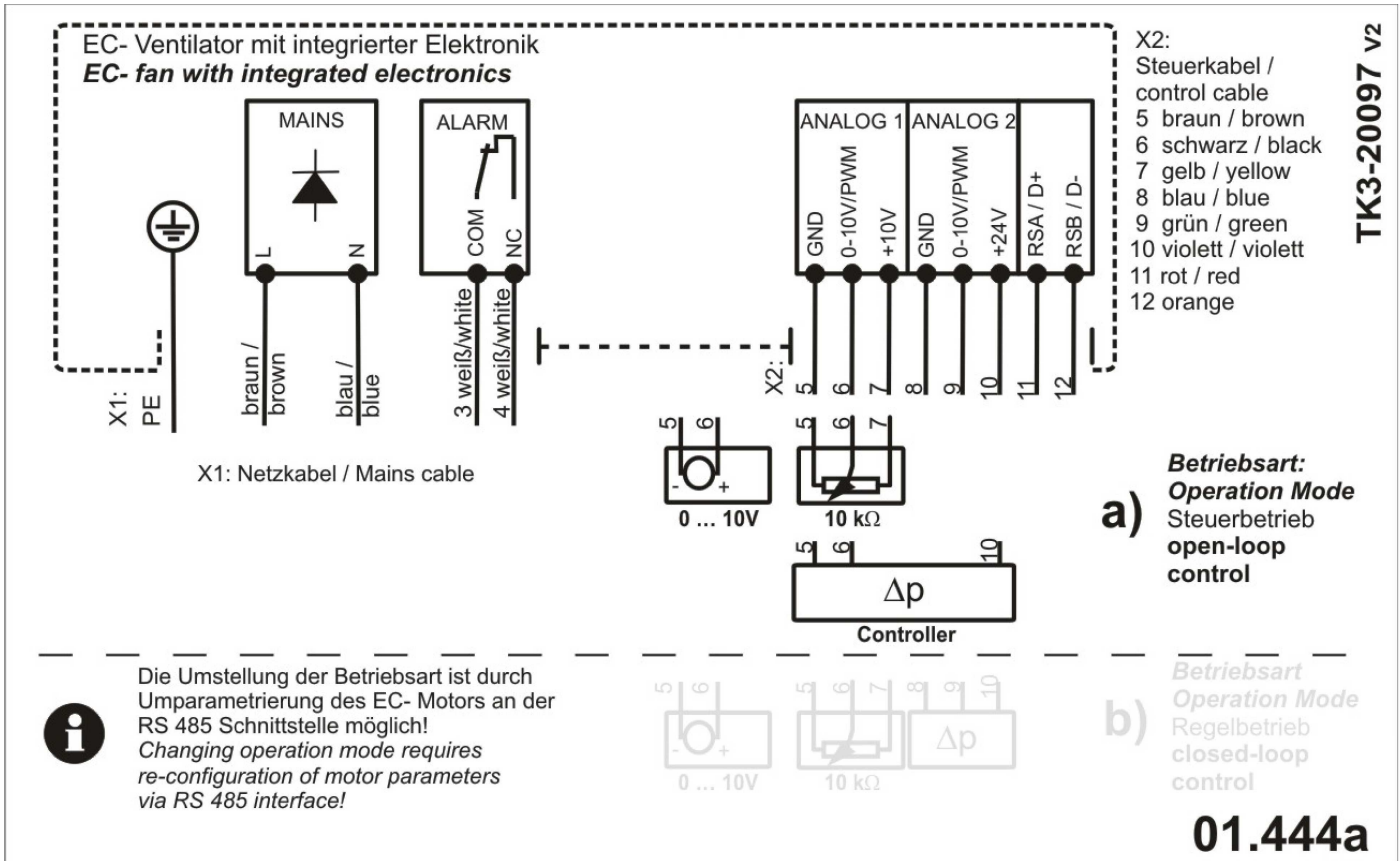
Part no.: D15-28003





Type: **KHAG 280.4EA W**

Part no.: D15-28003



EC-Duct fans (Duct dimensions 500x250mm)

with backward curved impellers and swing out motorized impellers

Casing made from galvanized steel, formed as a rectangular duct, for direct installation into air ducts. On inlet and outlet side 20 mms wide standard flanges. Equipped with complete swing-out motorized impellers for easy inspection cleaning and maintenance. Mounting either with horizontal or vertical motor shaft. Impeller made of aluminum (AlMg3) with 8 backward curved blades. Compact and flexible design. Energy saving EC external-rotor motor exceeds IE4 / Super Premium Efficiency. Maintenance free ball bearings, closed on both sides with long-term lubrication. Magnets without rare earth elements. Motor coated black and/or die casted aluminum. Protection Class IP54. 1-phase types with cable for supply and controlling and integrated active PFC (Power Factor Correction). 3-phase types with integrated terminal box and environmental resistant cable glands (3x M20x1,5). 100% speed controllable with integrated Motor Protection. ModBus RTU Interface integrated. Busconfiguration possible on site by customer. Soft Start. Potential-free Alarm Contact and integrated 24V Supply for Accessories. Applicable in all common energy grids. Low noise commutation. Motorized Impeller statically and dynamically balanced according to DIN ISO 21940-11 at least with quality level G6.3. The electrical connection is mounted on the housing by a terminal box. Air volume control is possible over an 0-10V Signal (accessory).

Fan complies with the guidelines required (Machinery-, EMC- and Low Voltage Directive) to comply with installation and conformity declaration as well as CE marking.

Nominal Data:

Voltage

1~200-277 V

Frequency

50/60 Hz

Input power

0,43 kW

Current

1,92 A

Speed

2440 r/min

Medium temperature

50 °C

Protection Mode

IP 54

Efficiency Class

IE4

Weight

19,3 kg

Dimensions

530 mm / 540 mm / 290 mm

Contact:

Rosenberg Ventilatoren BV

Elandlaan 8

NL - 3734 CP Den Dolder

www.rosenberg.nl

Type:

KHAG 280.4EA W

Article-No.:

D15-28003