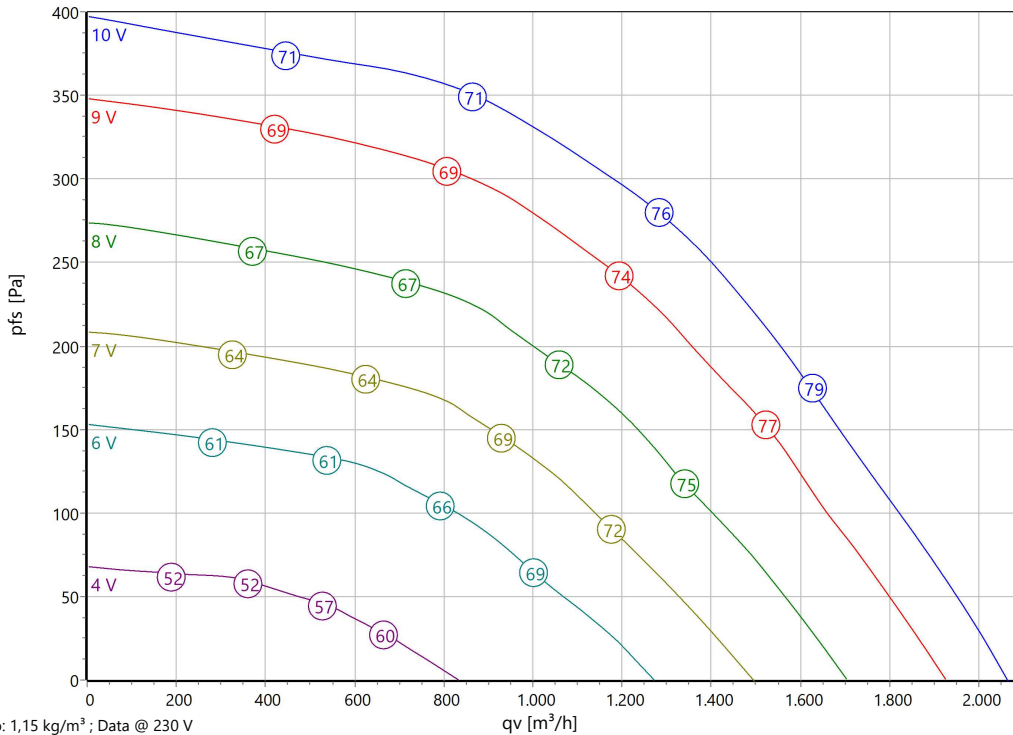




Type: **KHAG 315.4EA W**
 Part no.: D15-31501



Curve:



ErP-Data:

	(EU) Nr. 1253/2014	(Lot6)
qV	1094	m³/h
pfs	315	Pa
ηfs	46,7	%
Ped	0,21	kW
n	1650	r/min
N	56	
v	2,37	m/s
ηfs Lot11	53,6	%

Nominal Data:

U [V]	f [Hz]	Data @ [V]	Ped [kW]	IN [A]	nN [r/min]	tR [°C]	k10 [m²s/h]	Eff.-Rating	IP	m [kg]
1~200-277	50/60	230	0,21	0,96	1650	-25 .. +50	-	IE4	IP 54	27

Sound Data:

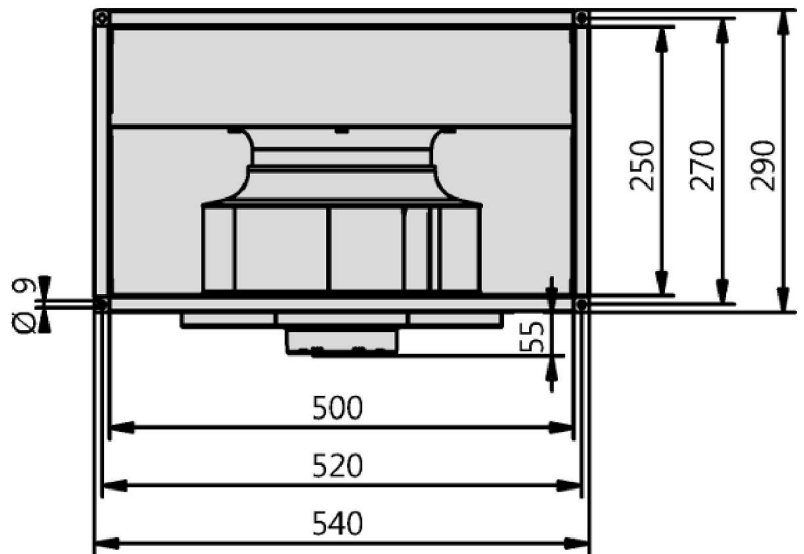
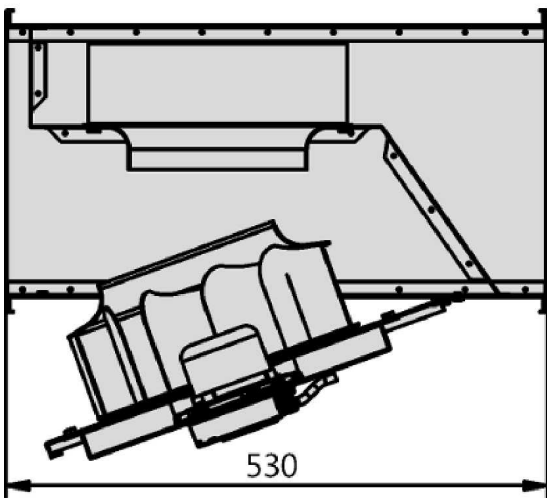
Frequency	Σ	125Hz	250Hz	500Hz	1kHz	2kHz	4kHz	8kHz	Distances	1 m	4 m
LwA(D,in) [dB(A)]	-5	-15	-13	-12	-10	-12	-20	-32	LpA(D,in) [dB(A)]	-12	-22
LwA(D,out) [dB(A)]		-13	-9	-7	-5	-6	-13	-21	LpA(D,out) [dB(A)]	-7	-17
LwA(D,cas) [dB(A)]	-14	-21	-19	-23	-25	-26	-33	-40	LpA(D,cas) [dB(A)]	-21	-31

LwA(cas) = LwA(out) - 14dB
 LwA(in) = LwA(out) - 5dB



Type: **KHAG 315.4EA W**

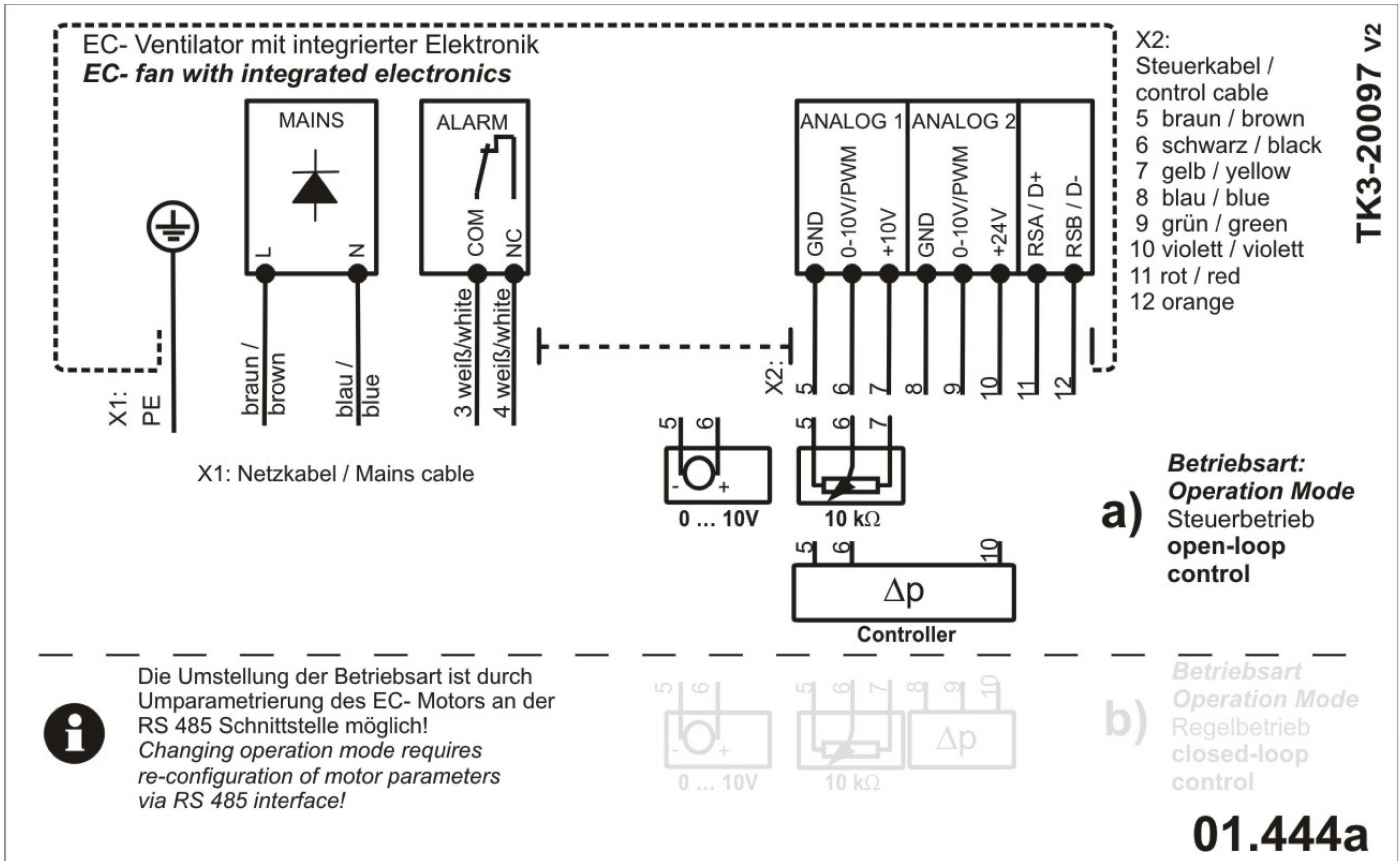
Part no.: D15-31501





Type: **KHAG 315.4EA W**

Part no.: D15-31501



EC-Duct fans (Duct dimensions 500x250mm)

with backward curved impellers and swing out motorized impellers

Casing made from galvanized steel, formed as a rectangular duct, for direct installation into air ducts. On inlet and outlet side 20 mms wide standard flanges. Equipped with complete swing-out motorized impellers for easy inspection cleaning and maintenance. Mounting either with horizontal or vertical motor shaft. Impeller made of aluminum (AlMg3) with 8 backward curved blades. Compact and flexible design. Energy saving EC external-rotor motor exceeds IE4 / Super Premium Efficiency. Maintenance free ball bearings, closed on both sides with long-term lubrication. Magnets without rare earth elements. Motor coated black and/or die casted aluminum. Protection Class IP54. 1-phase types with cable for supply and controlling and integrated active PFC (Power Factor Correction). 3-phase types with integrated terminal box and environmental resistant cable glands (3x M20x1,5). 100% speed controllable with integrated Motor Protection. ModBus RTU Interface integrated. Busconfiguration possible on site by customer. Soft Start. Potential-free Alarm Contact and integrated 24V Supply for Accessories. Applicable in all common energy grids. Low noise commutation. Motorized Impeller statically and dynamically balanced according to DIN ISO 21940-11 at least with quality level G6.3. The electrical connection is mounted on the housing by a terminal box. Air volume control is possible over an 0-10V Signal (accessory).

Fan complies with the guidelines required (Machinery-, EMC- and Low Voltage Directive) to comply with installation and conformity declaration as well as CE marking.

Nominal Data:

Voltage

1~200-277 V

Frequency

50/60 Hz

Input power

0,21 kW

Current

0,96 A

Speed

1650 r/min

Medium temperature

50 °C

Protection Mode

IP 54

Efficiency Class

IE4

Weight

27 kg

Dimensions

530 mm / 540 mm / 290 mm

Contact:

Rosenberg Ventilatoren BV

Elandlaan 8

NL - 3734 CP Den Dolder

www.rosenberg.nl

Type:

KHAG 315.4EA W

Article-No.:

D15-31501
