

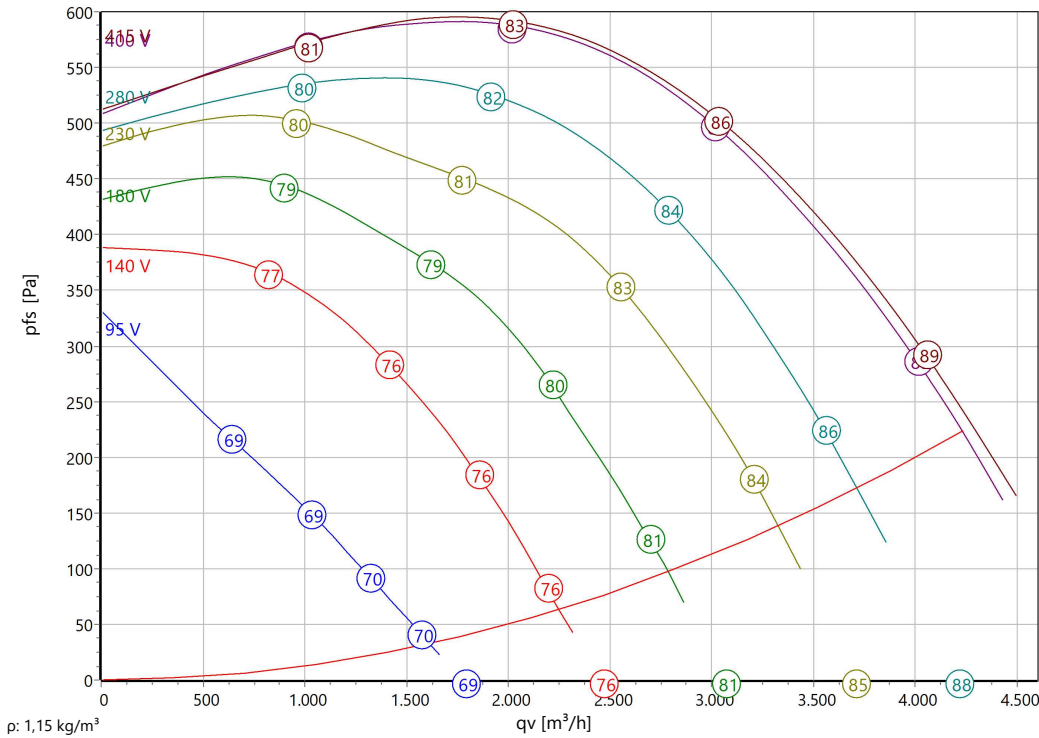


Type: **EKAD 315-4.6HF**

Part no.: D00-31550



**Curve:**



**ErP-Data:**

	(EU) Nr. 1253/2014	(Lot6)
qV	1849	m <sup>3</sup> /h
pfs	616	Pa
$\eta_{fs}$	42,1	%
Pe	0,75	kW
n	1435	r/min
N	44	
v	2,45	m/s
$\eta_{fs}$ Lot11	43,4	%

**Nominal Data:**

U [V]	f [Hz]	C [ $\mu$ F]	Pe [kW]	IN [A]	nN [r/min]	tR [°C]	pfs,min [Pa]	IA / IN	IP	m [kg]
400 D	50	-	1,95	4,1	1320	-25 .. +40	230	3,5	IP 54	46,5

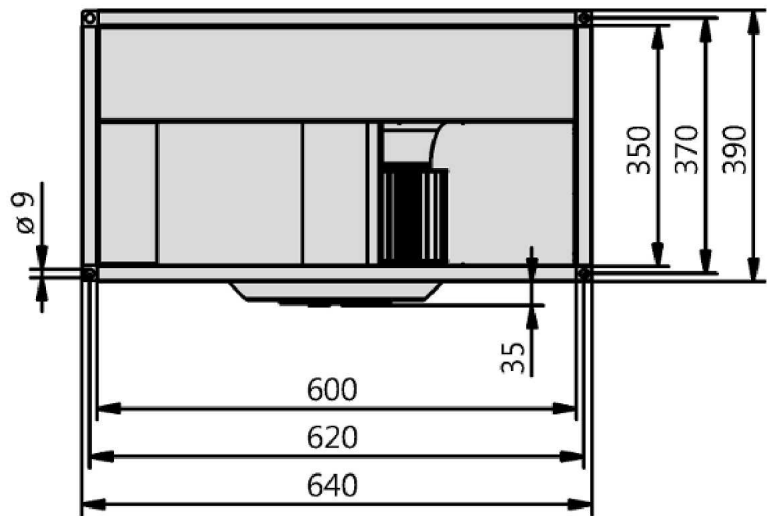
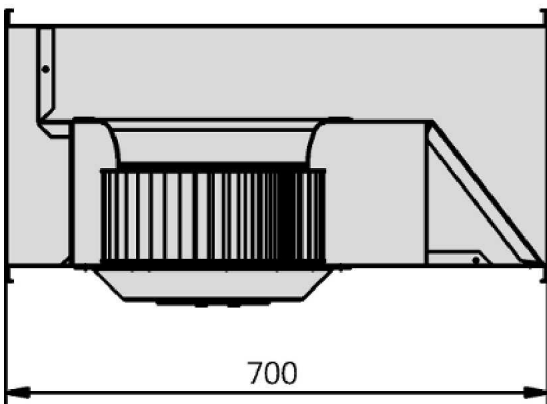
**Sound Data:**

Frequency	$\Sigma$	63Hz	125Hz	250Hz	500Hz	1kHz	2kHz	4kHz	8kHz	Distances	1 m	4 m
LwA(D,in) [dB(A)]	-6	-29	-19	-21	-12	-11	-13	-15	-24	LpA(D,in) [dB(A)]	-13	-23
LwA(D,out) [dB(A)]		-27	-16	-14	-8	-5	-6	-7	-17	LpA(D,out) [dB(A)]	-7	-17
LwA(D,cas) [dB(A)]	-17	-31	-22	-24	-26	-24	-29	-34	-41	LpA(D,cas) [dB(A)]	-24	-34



Type: **EKAD 315-4.6HF**

Part no.: D00-31550





Type: **EKAD 315-4.6HF**  
 Part no.: D00-31550

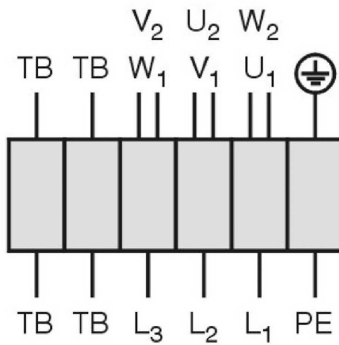


Drehstrommotor in  $\Delta$ -Schaltung mit Thermostatschalter (TB).  
 Drehrichtungsänderung durch Vertauschen von 2 Phasen.

**Three phase motor in delta connection with thermostatic switch (TB). Changing of rotation direction by interchanging of 2 phases.**

**Moteur triphasé branché en triangle avec interrupteur thermostatique (TB). Changement de sens de rotation par inversion de deux phases.**

TK3-20004



U <sub>1</sub>	braun / brown / brun
V <sub>1</sub>	blau / blue / bleu
W <sub>1</sub>	schwarz / black / noir
U <sub>2</sub>	rot / red / rouge
V <sub>2</sub>	grau / grey / gris
W <sub>2</sub>	orange / orange / orange
TB	weiß / white / blanc
PE	gelb-grün yellow-green jaune-vert

01.006

### Duct fan

with forward curved impellers

Casings are made of galvanized sheet steel, formed as a rectangular duct for direct installation into air ducts. Standard flanges are installed on inlet and outlet side. This allows simple and quick connection to the duct section. Mounting either with horizontal or vertical motor shaft. Single inlet impeller made of galvanized steel sheet with forward curved blades. Due to the high number of blades results in a sound optimized and at the same time compact design. Voltage controllable AC external rotor motor. Maintenance free ball bearings, closed on both sides with long-term lubrication. Motor coated black and/or die casted aluminum. Standard configuration with cable. Motor protection is guaranteed by thermal contacts, which are inlaid into the motor windings. These contacts protect the motor from being overloaded through phase failure, too high medium temperature or locked rotor. Isolation Class F. Motorized Impeller statically and dynamically balanced according to DIN ISO 21940-11 at least with quality level G6.3. The electrical connection is mounted by a terminal box (loose). Air volume control is possible by the use of a frequency converter (max. 50Hz) or a step transformer (accessory).

Fan complies with the guidelines required (Machinery-, EMC- and Low Voltage Directive) to comply with installation and conformity declaration as well as CE marking.

### Nominal Data:

Voltage

400 D V

Frequency

50 Hz

Input power

1,95 kW

Current

4,1 A

Speed

1320 r/min

Medium temperature

40 °C

Protection Mode

IP 54

Weight

46,5 kg

Dimensions

700 mm / 640 mm / 425 mm

### Contact:

Rosenberg Ventilatoren BV

Elandlaan 8

NL - 3734 CP Den Dolder

[www.rosenberg.nl](http://www.rosenberg.nl)

### Type:

EKAD 315-4.6HF

### Article-No.:

D00-31550

