

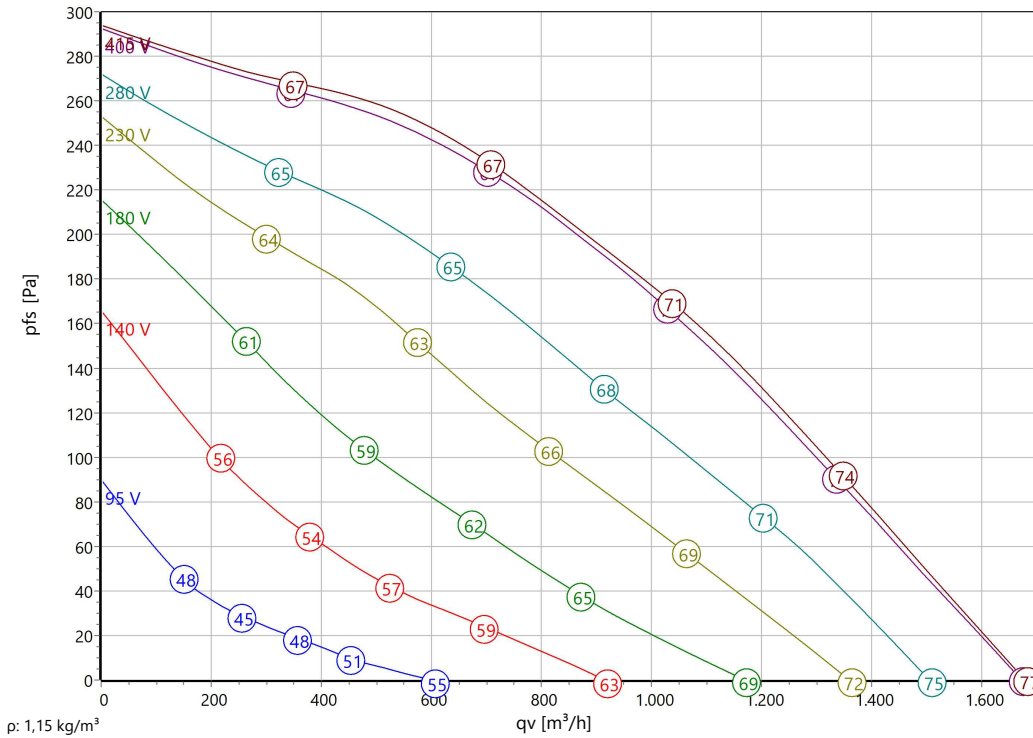


Type: **KHAD 315-4.4DA W**

Part no.: D14-31550



**Curve:**



**ErP-Data:**

(EU) Nr. 1253/2014	(Lot6)	
qV	877	m³/h
pfs	206	Pa
ηfs	35,6	%
Pe	0,141	kW
n	1345	r/min
N	48	
v	1,95	m/s
ηfs Lot11	46,9	%

**Nominal Data:**

U [V]	f [Hz]	C [μF]	Pe [kW]	IN [A]	nN [r/min]	tR [°C]	k10 [m²s/h]	IA / IN	IP	m [kg]
400 D	50	-	0,15	0,31	1340	-25 .. +70	-	2,8	IP 54	24,5

**Sound Data:**

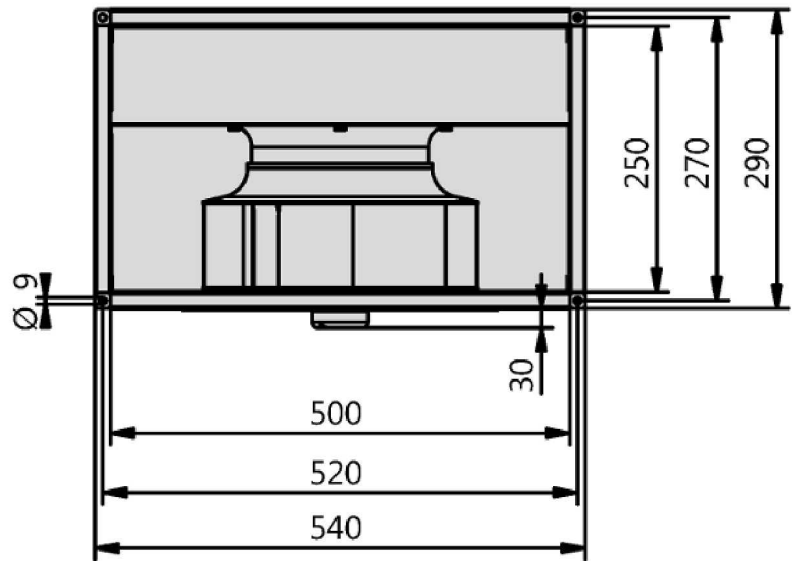
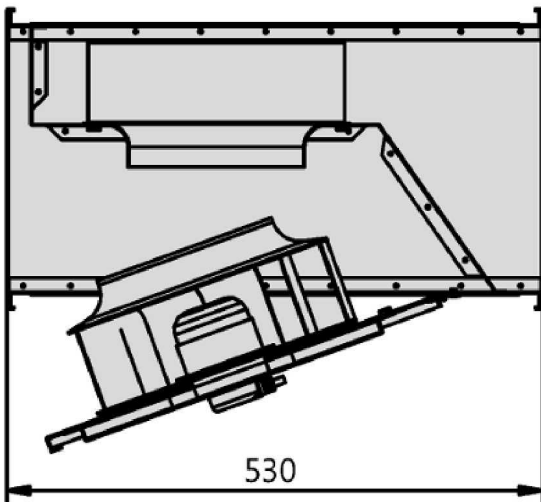
Frequency	Σ	125Hz	250Hz	500Hz	1kHz	2kHz	4kHz	8kHz	Distances	1 m	4 m
LwA(D,in) [dB(A)]	-4	-12	-11	-10	-10	-13	-20	-32	LpA(D,in) [dB(A)]	-11	-21
LwA(D,out) [dB(A)]		-15	-7	-5	-5	-6	-14	-21	LpA(D,out) [dB(A)]	-7	-17
LwA(D,cas) [dB(A)]	-13	-18	-16	-24	-25	-27	-32	-40	LpA(D,cas) [dB(A)]	-20	-30

LwA(cas) = LwA(out) - 13dB  
LwA(in) = LwA(out) - 4dB



Type: **KHAD 315-4.4DA W**

Part no.: D14-31550





Type: **KHAD 315-4.4DA W**  
 Part no.: D14-31550

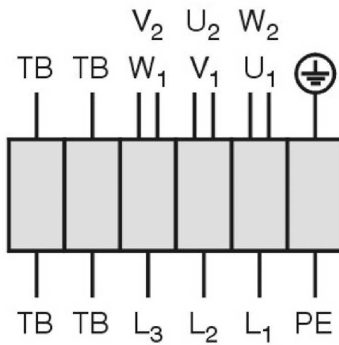


Drehstrommotor in  $\Delta$ -Schaltung mit Thermostatschalter (TB).  
 Drehrichtungsänderung durch Vertauschen von 2 Phasen.

**Three phase motor in delta connection with thermostatic switch (TB). Changing of rotation direction by interchanging of 2 phases.**

**Moteur triphasé branché en triangle avec interrupteur thermostatique (TB). Changement de sens de rotation par inversion de deux phases.**

TK3-20004



- U<sub>1</sub> braun / brown / brun
- V<sub>1</sub> blau / blue / bleu
- W<sub>1</sub> schwarz / black / noir
- U<sub>2</sub> rot / red / rouge
- V<sub>2</sub> grau / grey / gris
- W<sub>2</sub> orange / orange / orange
- TB weiß / white / blanc
- PE gelb-grün  
yellow-green  
jaune-vert

01.006

### Duct fan

with backward curved impellers and swing out motorized impellers

Casing made from galvanized steel, formed as a rectangular duct, for direct installation into air ducts. On inlet and outlet side 20 mms wide standard flanges. Equipped with complete swing-out motorized impellers for easy inspection cleaning and maintenance. Mounting either with horizontal or vertical motor shaft. Impeller made of aluminum (AlMg3) with 8 backward curved blades. Compact and flexible design. Voltage controllable AC external rotor motor. Maintenance free ball bearings, closed on both sides with long-term lubrication. Motor coated black and/or die casted aluminum. Standard configuration with cable. Motor protection is guaranteed by thermal contacts, which are inlaid into the motor windings. These contacts protect the motor from being overloaded through phase failure, too high medium temperature or locked rotor. Isolation Class F. Motorized Impeller statically and dynamically balanced according to DIN ISO 21940-11 at least with quality level G6.3. The electrical connection is mounted by a terminal box (loose). Air volume control is possible by the use of an frequency converter (max. 50Hz) or a step transformer (accessory).

Fan complies with the guidelines required (Machinery-, EMC- and Low Voltage Directive) to comply with installation and conformity declaration as well as CE marking.

### Nominal Data:

Voltage

400 D V

Frequency

50 Hz

Input power

0,15 kW

Current

0,31 A

Speed

1340 r/min

Medium temperature

70 °C

Protection Mode

IP 54

Weight

24,5 kg

Dimensions

530 mm / 540 mm / 290 mm

### Contact:

Rosenberg Ventilatoren BV

Elandlaan 8

NL - 3734 CP Den Dolder

[www.rosenberg.nl](http://www.rosenberg.nl)

### Type:

KHAD 315-4.4DA W

### Article-No.:

D14-31550