

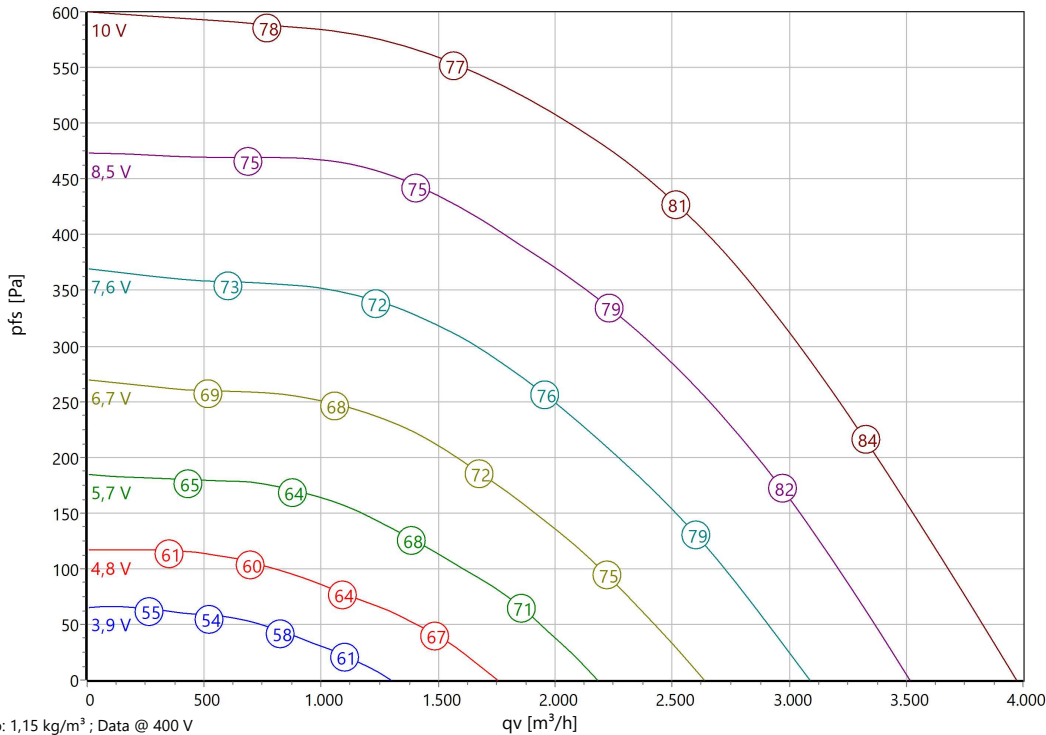


Type: **KHAG 355.5FA W**

Part no.: D15-35500



Curve:



ErP-Data:

| (EU) Nr. 1253/2014 | (Lot6) | |
|--------------------|--------|-------------------|
| qV | 2246 | m ³ /h |
| pfs | 495 | Pa |
| ηfs | 51,6 | % |
| Ped | 0,598 | kW |
| n | 1795 | r/min |
| N | 55 | |
| v | 2,97 | m/s |
| ηfs Lot11 | 57,5 | % |

Nominal Data:

| U [V] | f [Hz] | Data @ [V] | Ped [kW] | IN [A] | nN [r/min] | tR [°C] | k10 [m ² /s/h] | Eff.-Rating | IP | m [kg] |
|-----------|--------|------------|----------|--------|------------|------------|---------------------------|-------------|-------|--------|
| 3~380-480 | 50/60 | 400 | 0,6 | 1,2 | 1800 | -25 .. +60 | - | IE4 | IP 54 | 42 |

Sound Data:

| Frequency | Σ | 125Hz | 250Hz | 500Hz | 1kHz | 2kHz | 4kHz | 8kHz | Distances | 1 m | 4 m |
|--------------------|-----|-------|-------|-------|------|------|------|------|--------------------|-----|-----|
| LwA(D,in) [dB(A)] | -6 | -18 | -16 | -14 | -13 | -11 | -17 | -23 | LpA(D,in) [dB(A)] | -13 | -23 |
| LwA(D,out) [dB(A)] | | -16 | -7 | -6 | -6 | -7 | -14 | -21 | LpA(D,out) [dB(A)] | -7 | -17 |
| LwA(D,cas) [dB(A)] | -16 | -25 | -19 | -25 | -28 | -31 | -34 | -36 | LpA(D,cas) [dB(A)] | -23 | -33 |

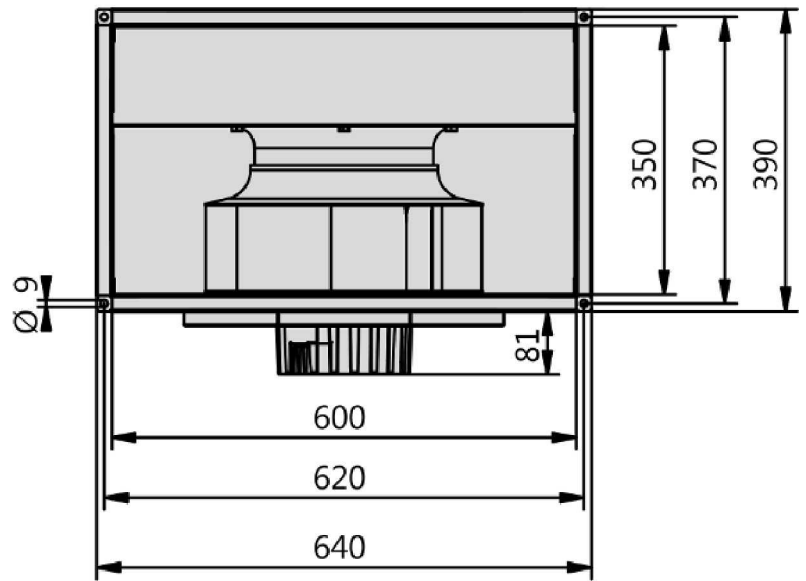
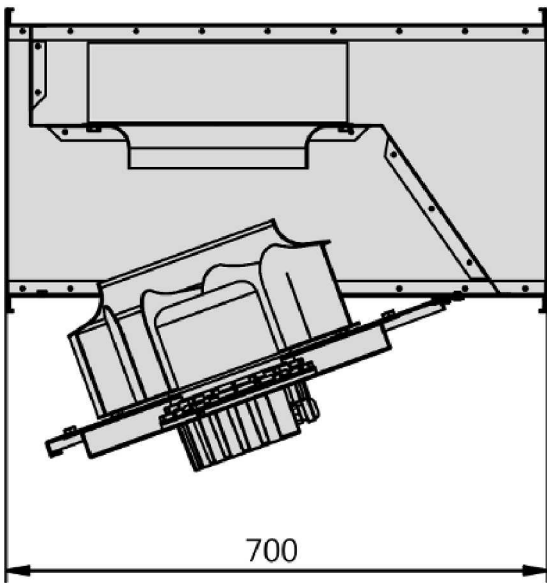
LwA(cas) = LwA(out) - 16dB

LwA(in) = LwA(out) - 6dB



Type: **KHAG 355.5FA W**

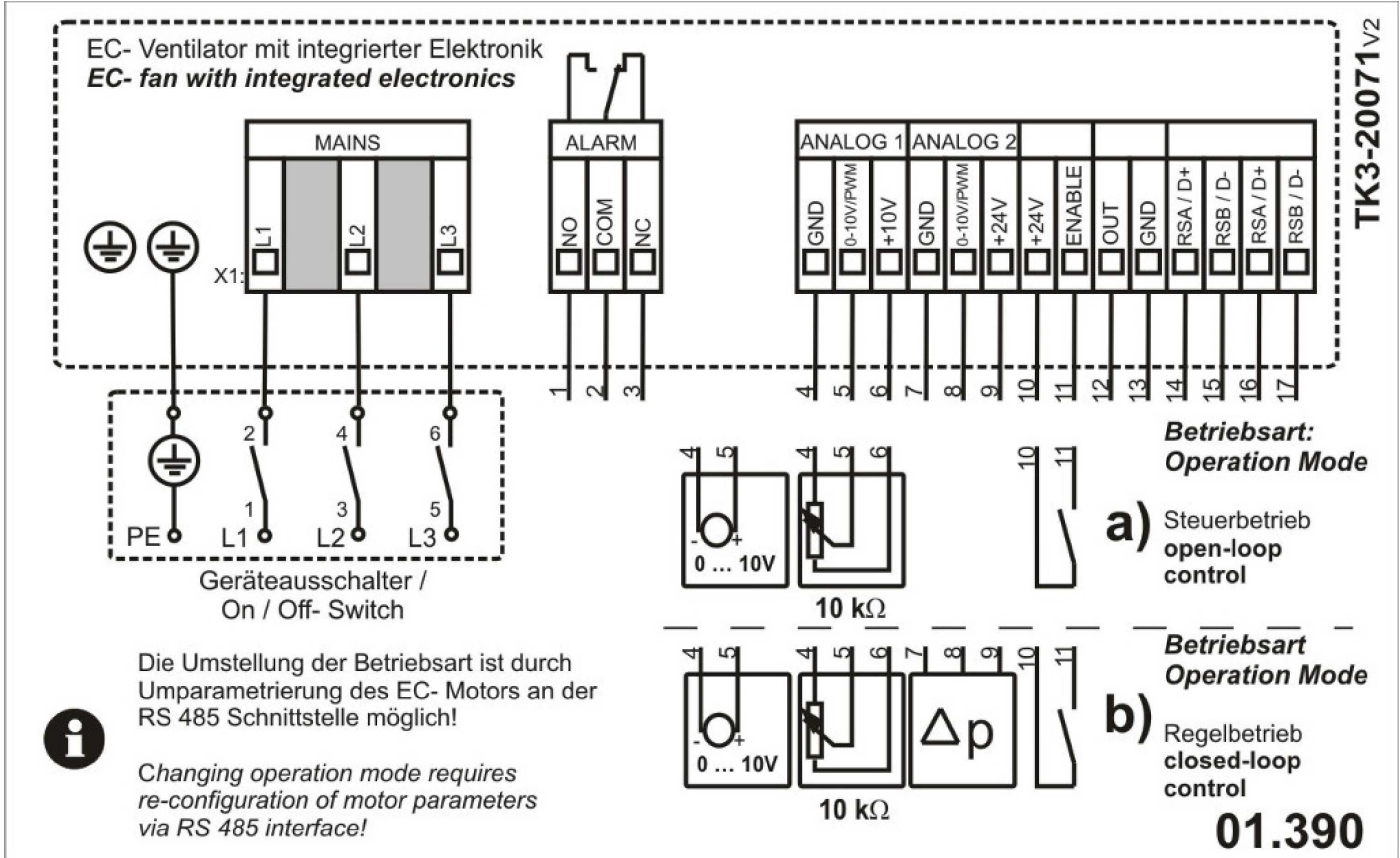
Part no.: D15-35500





Type: **KHAG 355.5FA W**

Part no.: D15-35500



EC-Duct fans (Duct dimensions 600x350mm)

with backward curved impellers and swing out motorized impellers

Casing made from galvanized steel, formed as a rectangular duct, for direct installation into air ducts. On inlet and outlet side 20 mms wide standard flanges. Equipped with complete swing-out motorized impellers for easy inspection cleaning and maintenance. Mounting either with horizontal or vertical motor shaft. Impeller made of aluminum (AlMg3) with 8 backward curved blades. Compact and flexible design. Energy saving EC external-rotor motor exceeds IE4 / Super Premium Efficiency. Maintenance free ball bearings, closed on both sides with long-term lubrication. Magnets without rare earth elements. Motor coated black and/or die casted aluminum. Protection Class IP54. 1-phase types with cable for supply and controlling and integrated active PFC (Power Factor Correction). 3-phase types with integrated terminal box and environmental resistant cable glands (3x M20x1,5). 100% speed controllable with integrated Motor Protection. ModBus RTU Interface integrated. Busconfiguration possible on site by customer. Soft Start. Potential-free Alarm Contact and integrated 24V Supply for Accessories. Applicable in all common energy grids. Low noise commutation. Motorized Impeller statically and dynamically balanced according to DIN ISO 21940-11 at least with quality level G6.3. The electrical connection is mounted on the housing by a terminal box. Air volume control is possible over an 0-10V Signal (accessory).

Fan complies with the guidelines required (Machinery-, EMC- and Low Voltage Directive) to comply with installation and conformity declaration as well as CE marking.

Nominal Data:

Voltage

3~380-480 V

Frequency

50/60 Hz

Input power

0,6 kW

Current

1,2 A

Speed

1800 r/min

Medium temperature

60 °C

Protection Mode

IP 54

Efficiency Class

IE4

Weight

42 kg

Dimensions

700 mm / 640 mm / 390 mm

Contact:

Rosenberg Ventilatoren BV

Elandlaan 8

NL - 3734 CP Den Dolder

www.rosenberg.nl

Type:

KHAG 355.5FA W

Article-No.:

D15-35500
