

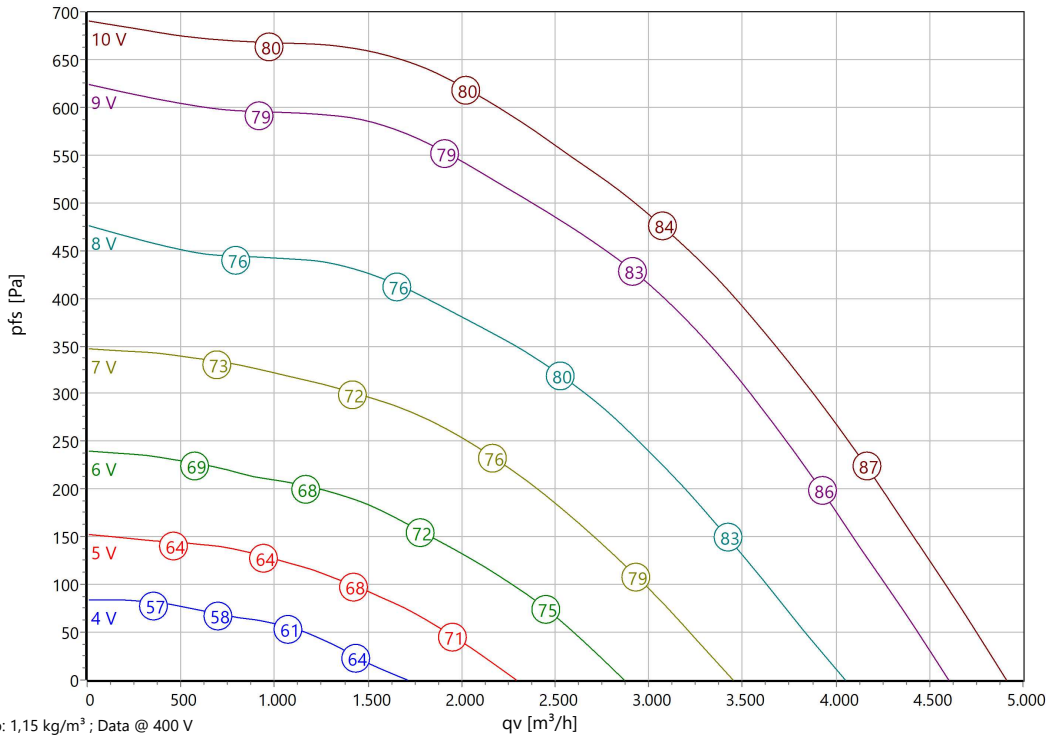


Type: **KHAG 400.5FA W**

Part no.: D15-40000



Curve:



ErP-Data:

	(EU) Nr. 1253/2014	(Lot6)
qV	2645	m ³ /h
pfs	564	Pa
ηfs	56,7	%
Ped	0,732	kW
n	1700	r/min
N	59	
v	3,50	m/s
ηfs Lot11	60,8	%

Nominal Data:

U [V]	f [Hz]	Data @ [V]	Ped [kW]	IN [A]	nN [r/min]	tR [°C]	k10 [m ² /s/h]	Eff.-Rating	IP	m [kg]
3~380-480	50/60	400	0,8	1,5	1700	-25 .. +50	-	IE4	IP 54	42

Sound Data:

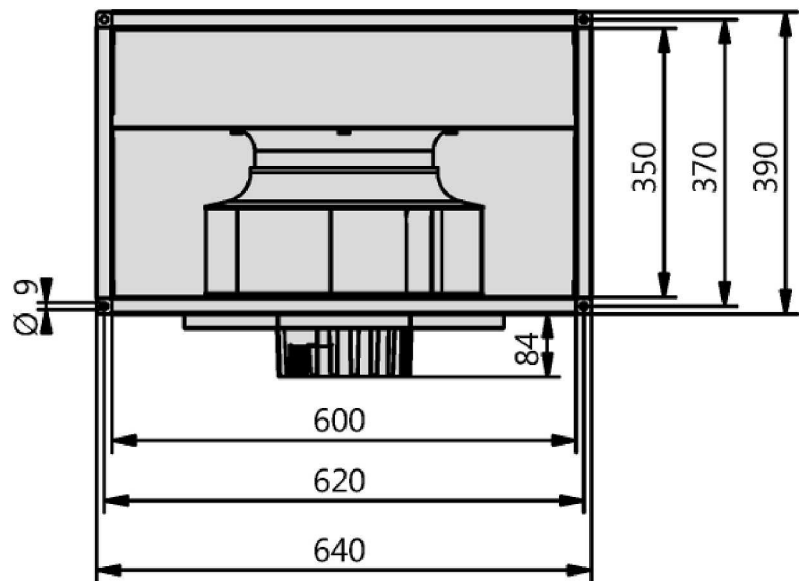
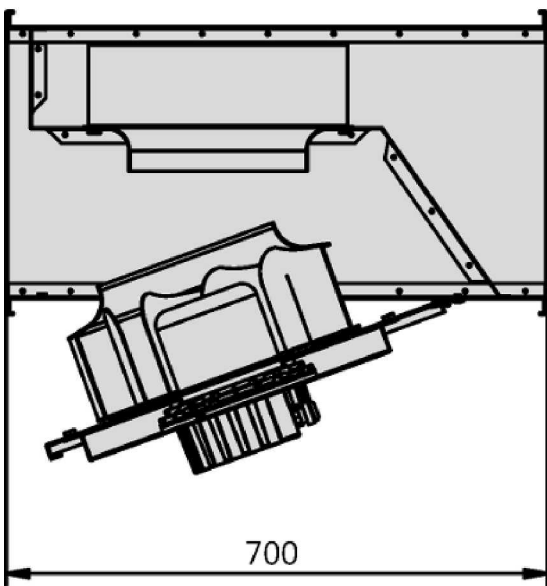
Frequency	Σ	125Hz	250Hz	500Hz	1kHz	2kHz	4kHz	8kHz	Distances	1 m	4 m
LwA(D,in) [dB(A)]	-6	-18	-16	-14	-12	-11	-17	-22	LpA(D,in) [dB(A)]	-13	-23
LwA(D,out) [dB(A)]		-14	-7	-6	-6	-7	-13	-21	LpA(D,out) [dB(A)]	-7	-17
LwA(D,cas) [dB(A)]	-16	-25	-18	-25	-28	-31	-34	-36	LpA(D,cas) [dB(A)]	-23	-33

LwA(cas) = LwA(out) - 16dB
 LwA(in) = LwA(out) - 6dB



Type: **KHAG 400.5FA W**

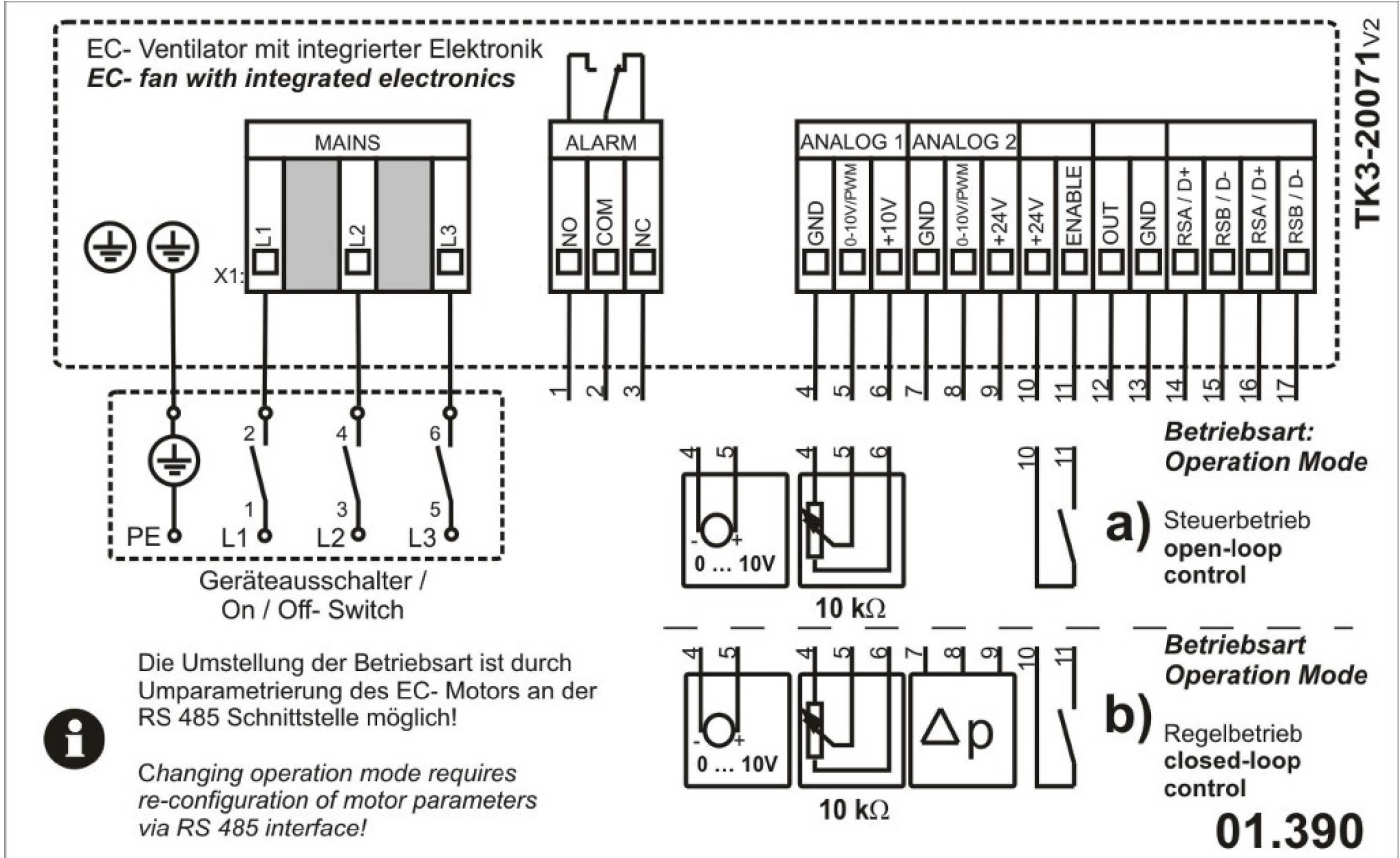
Part no.: D15-40000





Type: **KHAG 400.5FA W**

Part no.: D15-40000



EC-Duct fans (Duct dimensions 600x350mm)

with backward curved impellers and swing out motorized impellers

Casing made from galvanized steel, formed as a rectangular duct, for direct installation into air ducts. On inlet and outlet side 20 mms wide standard flanges. Equipped with complete swing-out motorized impellers for easy inspection cleaning and maintenance. Mounting either with horizontal or vertical motor shaft. Impeller made of aluminum (AlMg3) with 8 backward curved blades. Compact and flexible design. Energy saving EC external-rotor motor exceeds IE4 / Super Premium Efficiency. Maintenance free ball bearings, closed on both sides with long-term lubrication. Magnets without rare earth elements. Motor coated black and/or die casted aluminum. Protection Class IP54. 1-phase types with cable for supply and controlling and integrated active PFC (Power Factor Correction). 3-phase types with integrated terminal box and environmental resistant cable glands (3x M20x1,5). 100% speed controllable with integrated Motor Protection. ModBus RTU Interface integrated. Busconfiguration possible on site by customer. Soft Start. Potential-free Alarm Contact and integrated 24V Supply for Accessories. Applicable in all common energy grids. Low noise commutation. Motorized Impeller statically and dynamically balanced according to DIN ISO 21940-11 at least with quality level G6.3. The electrical connection is mounted on the housing by a terminal box. Air volume control is possible over an 0-10V Signal (accessory).

Fan complies with the guidelines required (Machinery-, EMC- and Low Voltage Directive) to comply with installation and conformity declaration as well as CE marking.

Nominal Data:

Voltage

3~380-480 V

Frequency

50/60 Hz

Input power

0,8 kW

Current

1,5 A

Speed

1700 r/min

Medium temperature

50 °C

Protection Mode

IP 54

Efficiency Class

IE4

Weight

42 kg

Dimensions

700 mm / 640 mm / 390 mm

Contact:

Rosenberg Ventilatoren BV

Elandlaan 8

NL - 3734 CP Den Dolder

www.rosenberg.nl

Type:

KHAG 400.5FA W

Article-No.:

D15-40000