

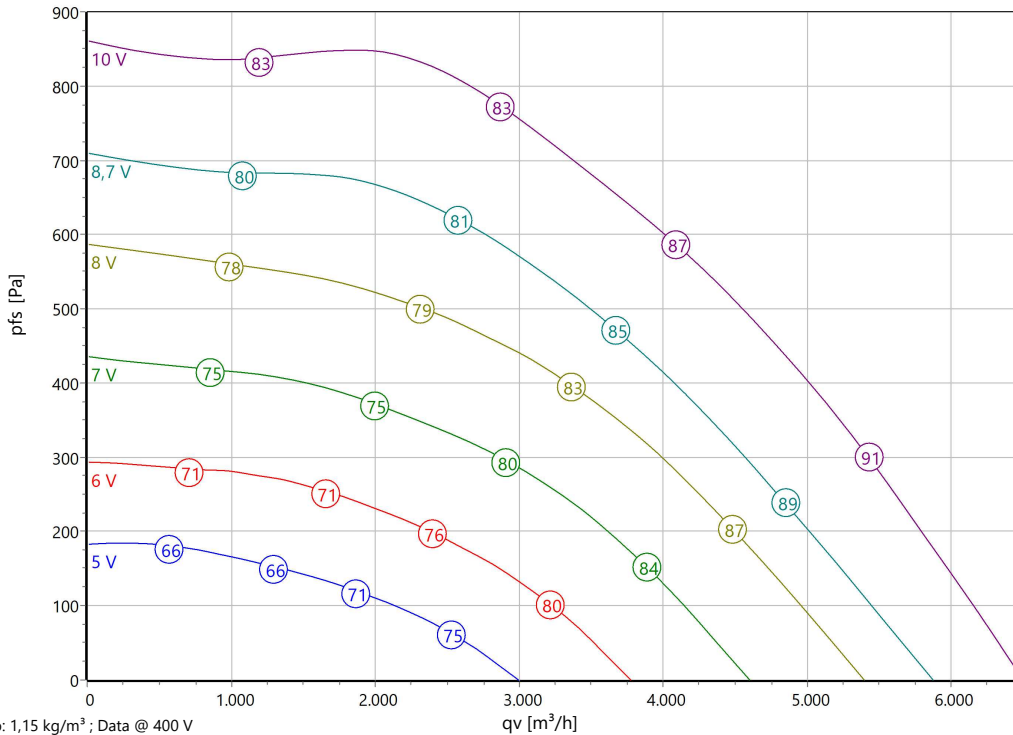


Type: **KHAG 450.5HF W**

Part no.: D15-45020



**Curve:**



p: 1,15 kg/m³ ; Data @ 400 V

**ErP-Data:**

(EU) Nr. 1253/2014	(Lot6)	
qV	3365	m³/h
pfs	732	Pa
ηfs	52,9	%
Ped	1,29	kW
n	1708	r/min
N	51	
v	3,34	m/s
ηfs Lot11	56,6	%

**Nominal Data:**

U [V]	f [Hz]	Data @ [V]	Ped [kW]	IN [A]	nN [r/min]	tR [°C]	k10 [m²s/h]	Eff.-Rating	IP	m [kg]
3~380-480	50/60	400	1,3	2,3	1700	-25 .. +50	-	IE4	IP 54	52

**Sound Data:**

Frequency	Σ	125Hz	250Hz	500Hz	1kHz	2kHz	4kHz	8kHz	Distances	1 m	4 m
LwA(D,in) [dB(A)]	-7	-19	-16	-15	-14	-12	-16	-26	LpA(D,in) [dB(A)]	-14	-24
LwA(D,out) [dB(A)]		-19	-9	-7	-4	-7	-12	-24	LpA(D,out) [dB(A)]	-7	-17
LwA(D,cas) [dB(A)]	-15	-29	-17	-24	-26	-27	-31	-38	LpA(D,cas) [dB(A)]	-22	-32

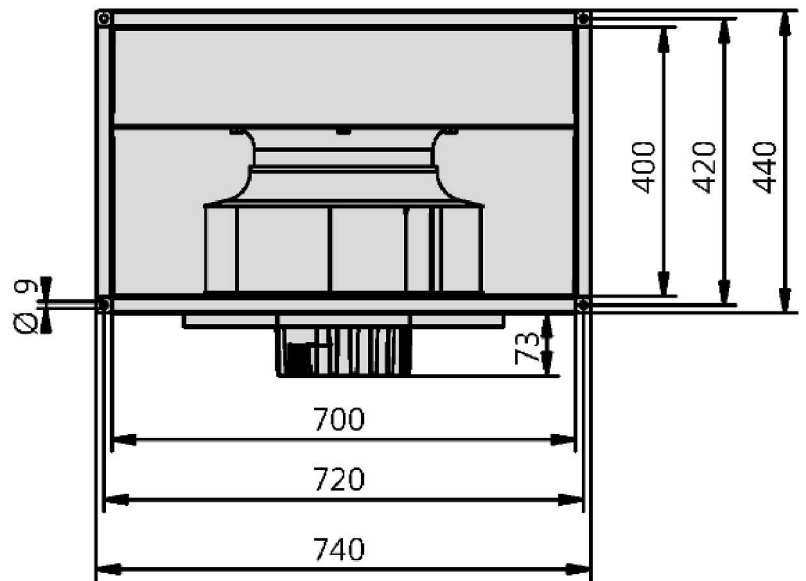
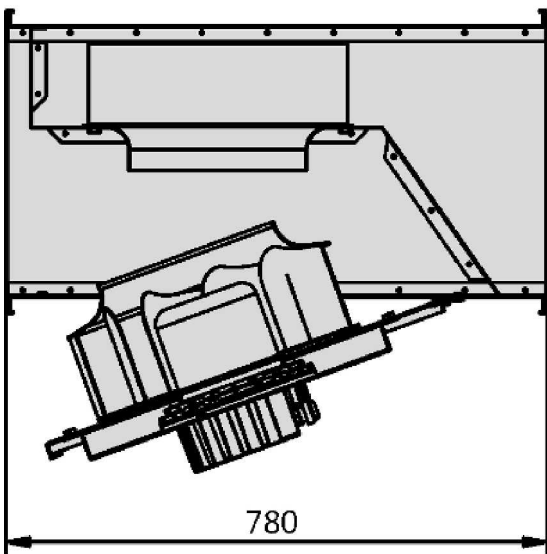
LwA(cas) = LwA(out) - 15dB

LwA(in) = LwA(out) - 7dB



Type: **KHAG 450.5HF W**

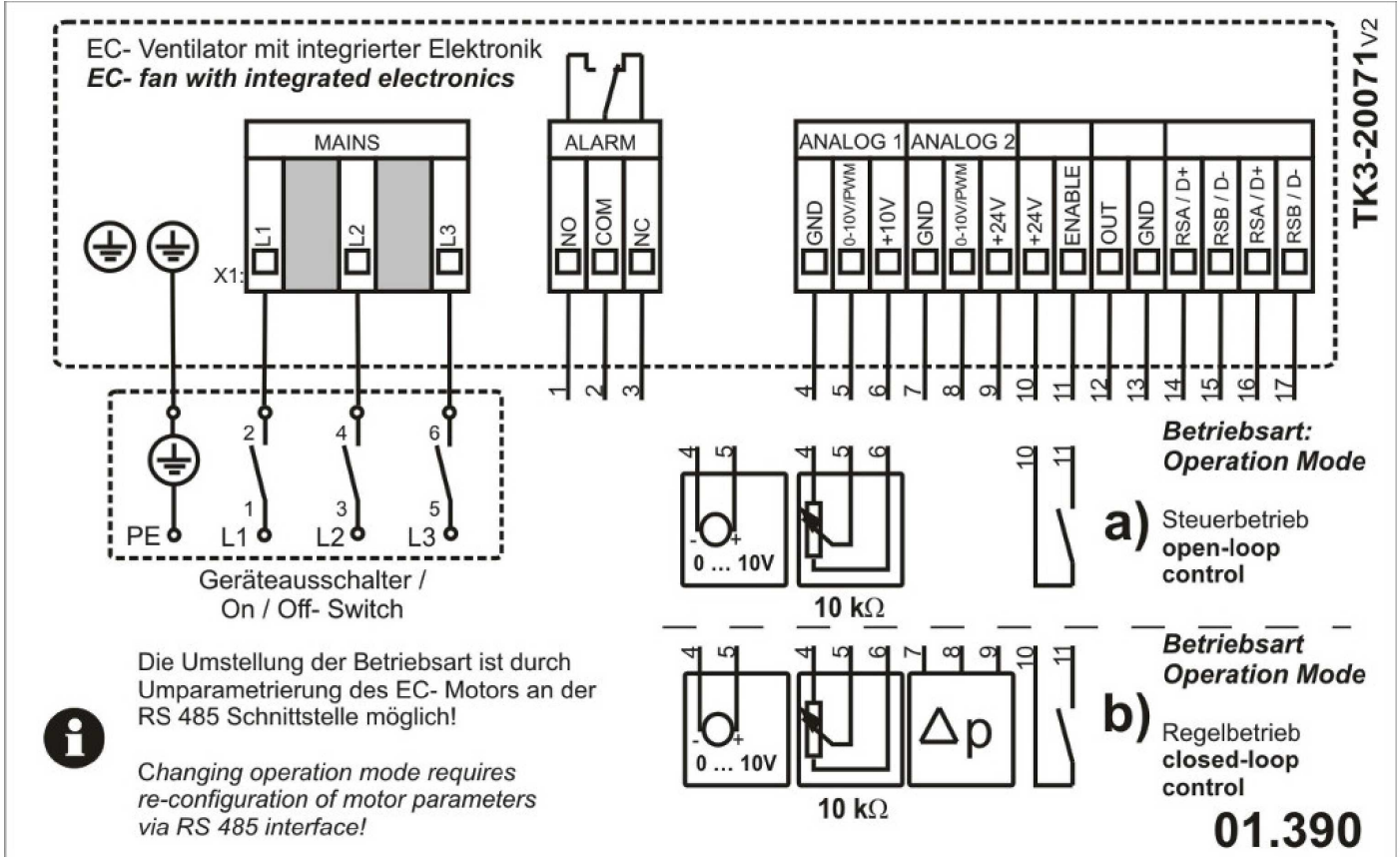
Part no.: D15-45020





Type: **KHAG 450.5HF W**

Part no.: D15-45020



### **EC-Duct fans (Duct dimensions 700x400mm)**

with backward curved impellers and swing out motorized impellers

Casing made from galvanized steel, formed as a rectangular duct, for direct installation into air ducts. On inlet and outlet side 20 mms wide standard flanges. Equipped with complete swing-out motorized impellers for easy inspection cleaning and maintenance. Mounting either with horizontal or vertical motor shaft. Impeller made of aluminum (AlMg3) with 8 backward curved blades. Compact and flexible design. Energy saving EC external-rotor motor exceeds IE4 / Super Premium Efficiency. Maintenance free ball bearings, closed on both sides with long-term lubrication. Magnets without rare earth elements. Motor coated black and/or die casted aluminum. Protection Class IP54. 1-phase types with cable for supply and controlling and integrated active PFC (Power Factor Correction). 3-phase types with integrated terminal box and environmental resistant cable glands (3x M20x1,5). 100% speed controllable with integrated Motor Protection. ModBus RTU Interface integrated. Busconfiguration possible on site by customer. Soft Start. Potential-free Alarm Contact and integrated 24V Supply for Accessories. Applicable in all common energy grids. Low noise commutation. Motorized Impeller statically and dynamically balanced according to DIN ISO 21940-11 at least with quality level G6.3. The electrical connection is mounted on the housing by a terminal box. Air volume control is possible over an 0-10V Signal (accessory).

Fan complies with the guidelines required (Machinery-, EMC- and Low Voltage Directive) to comply with installation and conformity declaration as well as CE marking.

### **Nominal Data:**

Voltage

3~380-480 V

Frequency

50/60 Hz

Input power

1,3 kW

Current

2,3 A

Speed

1700 r/min

Medium temperature

50 °C

Protection Mode

IP 54

Efficiency Class

IE4

Weight

52 kg

Dimensions

780 mm / 740 mm / 440 mm

### **Contact:**

Rosenberg Ventilatoren BV

Elandlaan 8

NL - 3734 CP Den Dolder

[www.rosenberg.nl](http://www.rosenberg.nl)

### **Type:**

KHAG 450.5HF W

**Article-No.:**

D15-45020