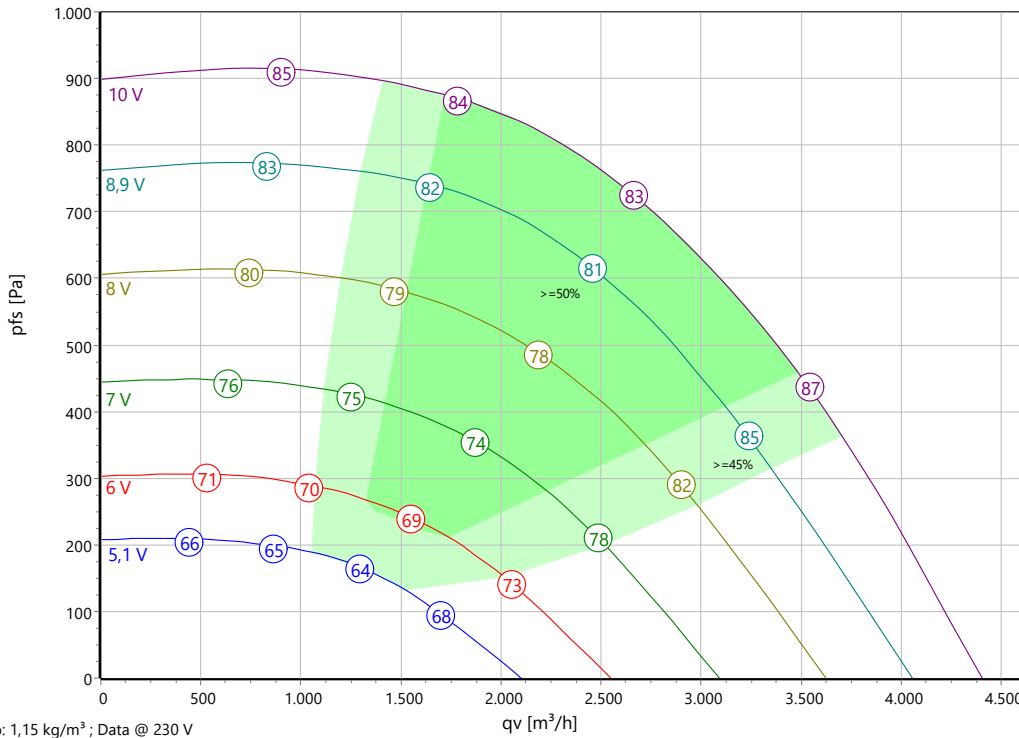




Type: **GKHM 315-CIB.100.5FA IE**  
Module  
Part no.: N88-31816



**Curve:**



p: 1,15 kg/m³ ; Data @ 230 V

**ErP-Data:**

(EU) Nr. 327/2011 (Lot11)		
q <sub>v</sub>	2782	m³/h
p <sub>fs</sub>	724	Pa
η <sub>fs</sub>	60,5	%
P <sub>ed</sub>	1	kW
n	2500	r/min
N	71	N
v	6,839	m/s

**Nominal Data:**

U [V]	f [Hz]	Data @ [V]	P <sub>ed</sub> [kW]	I <sub>N</sub> [A]	n <sub>N</sub> [r/min]	t <sub>R</sub> [°C]	k <sub>10</sub> [m²/s/h]	Eff.-Rating	IP	m [kg]
1~200-277	50/60	230	1	4,4	2500	-25 .. +40	75	IE4	IP 54	18,5

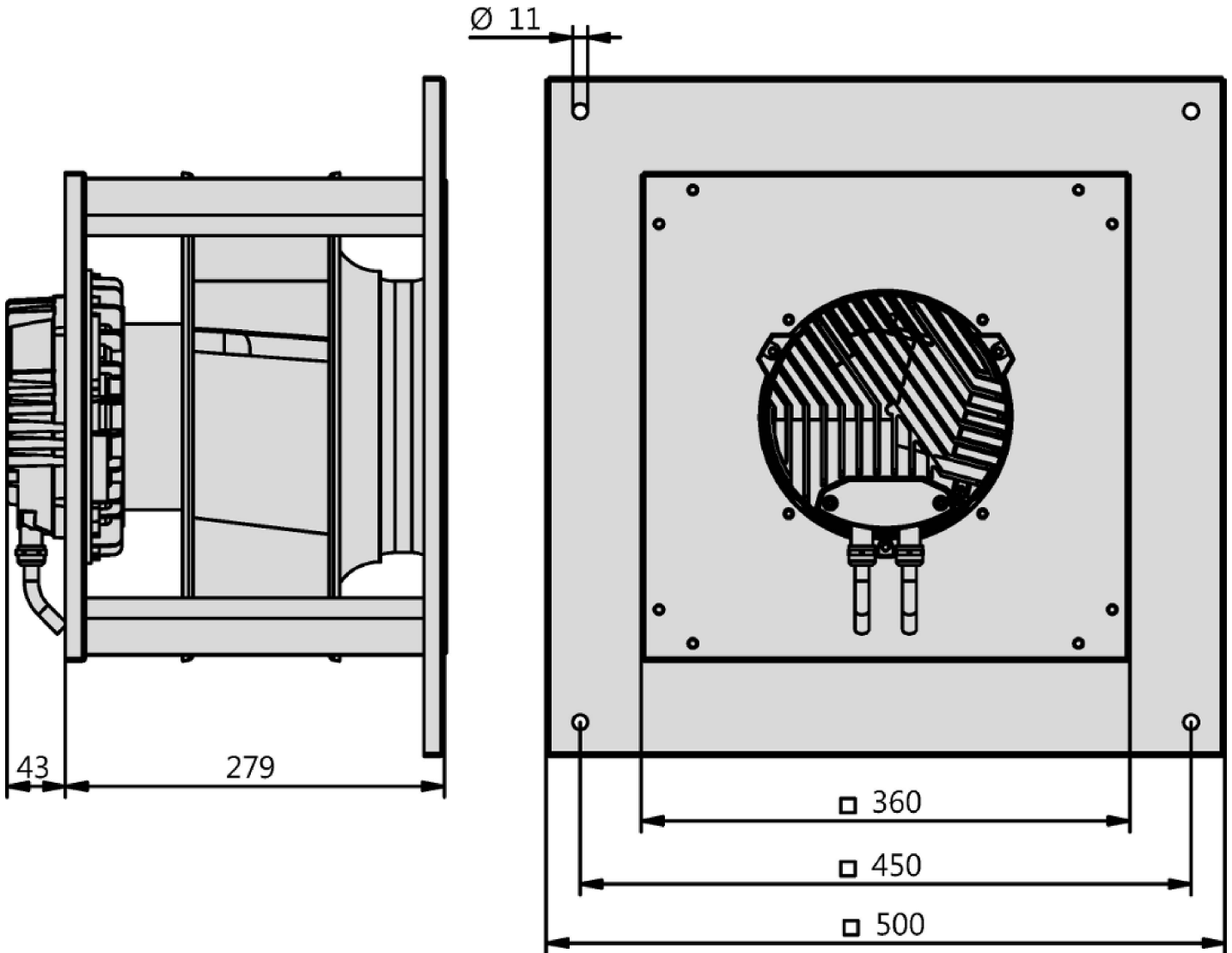
**Sound Data:**

Frequency	Σ	63Hz	125Hz	250Hz	500Hz	1kHz	2kHz	4kHz	8kHz	Distances	1 m	6 m
LwA(A,in) [dB(A)]	-7	-30	-23	-8	-5	-7	-8	-9	-15	LpA(A,in) [dB(A)]	-14	-26
LwA(A,out) [dB(A)]		-35	-28	-9	-6	-5	-7	-10	-21	LpA(A,out) [dB(A)]	-7	-19

combination, motor load and number of operation.  
Please note during project planning (e.g. for condenser units in refrigeration circuits)!



Type: **GKHM 315-CIB.100.5FA IE**  
Module  
Part no.: N88-31816

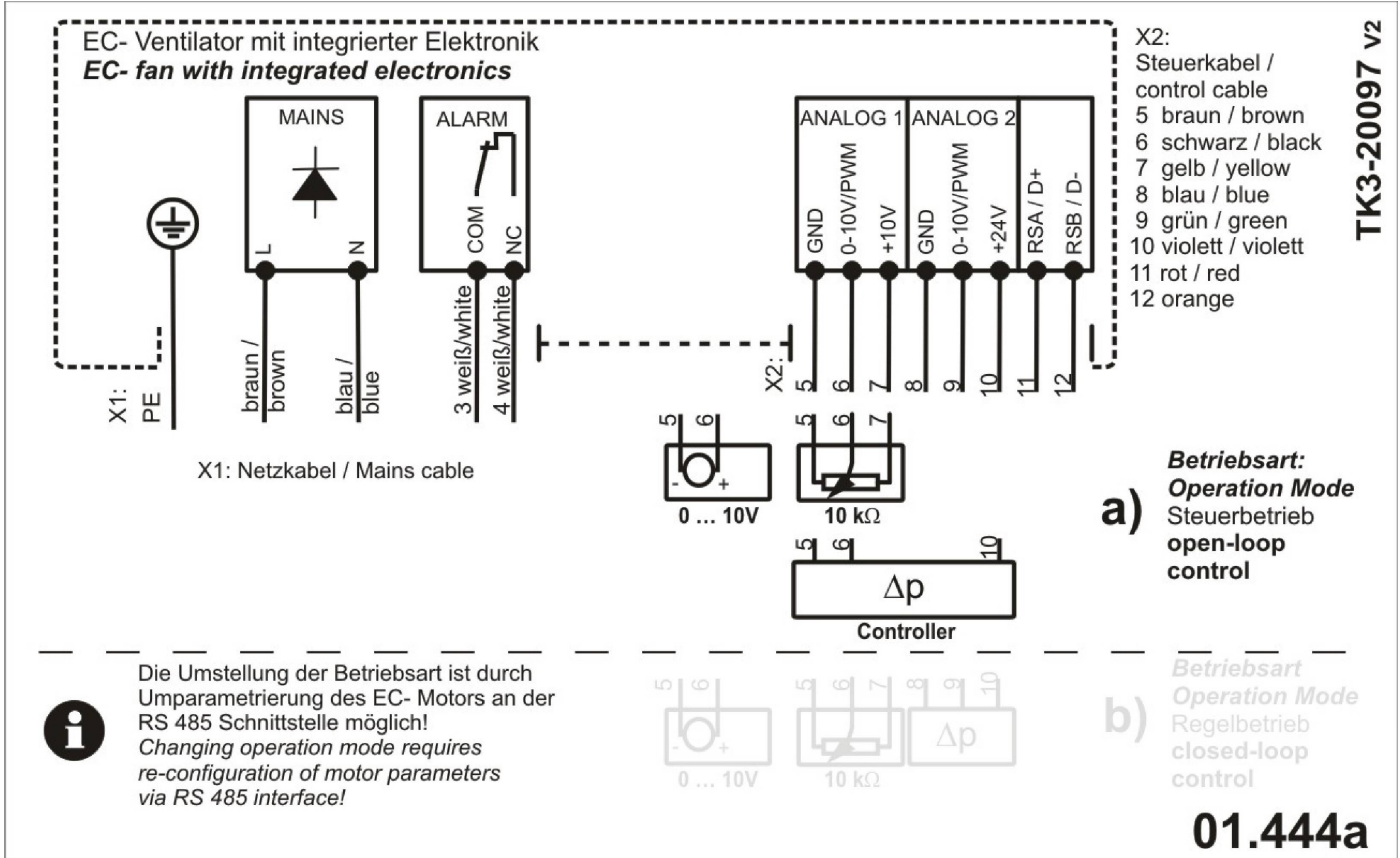




Type: **GKHM 315-CIB.100.5FA IE**

Module

Part no.: N88-31816



### EC-Plug Fan

with backward curved impeller

Impeller made of aluminum (AlMg3) with 7 backward curved blades and efficiency optimized circumferential diffusor. Sound optimized. Pressure orientated behaviour. Fluidic optimized inlet cone made of galvanised sheet steel. Air Flow measuring equipment by circular pressure connections. Compact, weight optimized Fan Module. Includes motor, impeller, cone, motor and cone wear plate made out of galvanized steel sheet metal and aluminum retaining profiles. Plug & Play. Extra coating on request. Mounting either with horizontal or vertical motor shaft. Motorized Impeller statically and dynamically balanced according to DIN ISO 21940 -11 at least with quality level G6.3. Energy saving EC external-rotor motor exceeds IE4 / Super Premium Efficiency. Maintenance free ball bearings, closed on both sides with long-term lubrication. Magnets without rare earth elements. Motor coated black and/or die casted aluminum. Protection Class IP54 and insulation class F. 1 -phase types with cable for supply and controlling and integrated active PFC (Power Factor Correction). 3-phase types with integrated terminal box and environmental resistant cable glands (3x M20x1,5). 100% speed controllable with integrated Motor Protection. ModBus RTU Interface integrated. Busconfiguration possible on site by customer. Soft Start. Potential -free Alarm Contact and integrated 24V Supply for Accessories. Applicable in all common energy grids. Low noise commutation.

Fan complies with the guidelines required (Machinery -, EMC- and Low Voltage Directive) to comply with installation and conformity declaration as well as CE marking. Standard version with UL motor approval.

### Nominal Data:

Voltage

1~200-277 V

Frequency

50/60 Hz

Input power

1 kW

Current

4,4 A

Speed

2500 r/min

Medium temperature

40 °C

Protection Mode

IP 54

Efficiency Class

IE4

K-Factor

75

Weight

18,5 kg

Dimensions

500 mm / 500 mm / 322 mm

### Contact:

Rosenberg Ventilatoren BV

Elandlaan 8

NL - 3734 CP Den Dolder

[www.rosenberg.nl](http://www.rosenberg.nl)

**Type:**

GKHM 315-CIB.100.5FA IE

**Article-No.:**

N88-31816

---