

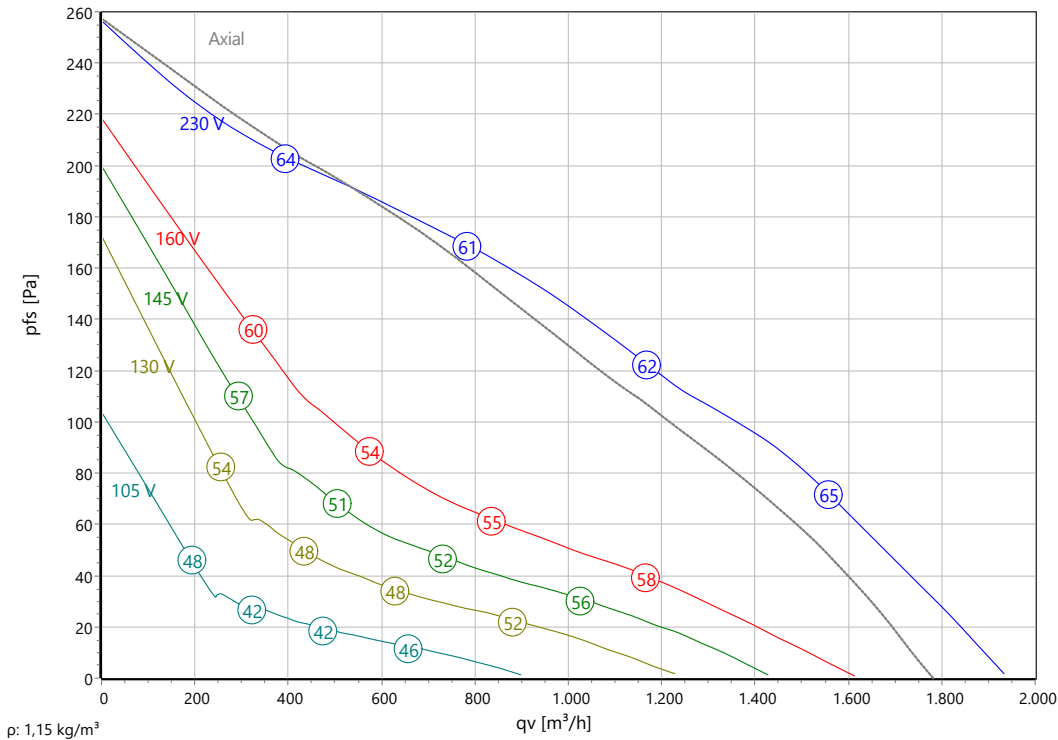


Type: **UNOR 50-315-4E.3EF**

Part no.: F08-31501



**Curve:**



p: 1,15 kg/m³

**ErP-Data:**

(EU) Nr. 1253/2014 (Lot6)		
q <sub>v</sub>	1036	m³/h
p <sub>fs</sub>	147	Pa
η <sub>fs</sub>	34,1	%
P <sub>e</sub>	0,12	kW
n	1200	r/min
N	47	N
v	0,711	m/s
η <sub>fs</sub> Lot11	0	%

**Nominal Data:**

U [V]	f [Hz]	C [μF]	P <sub>e</sub> [kW]	I <sub>N</sub> [A]	n <sub>N</sub> [r/min]	t <sub>R</sub> [°C]	k <sub>10</sub> [m²s/h]	I <sub>A</sub> / I <sub>N</sub>	IP	m [kg]
1~230	50	3,5	0,124	0,56	1200	-20 .. +60	90	1,6	IP 44	30

**Sound Data:**

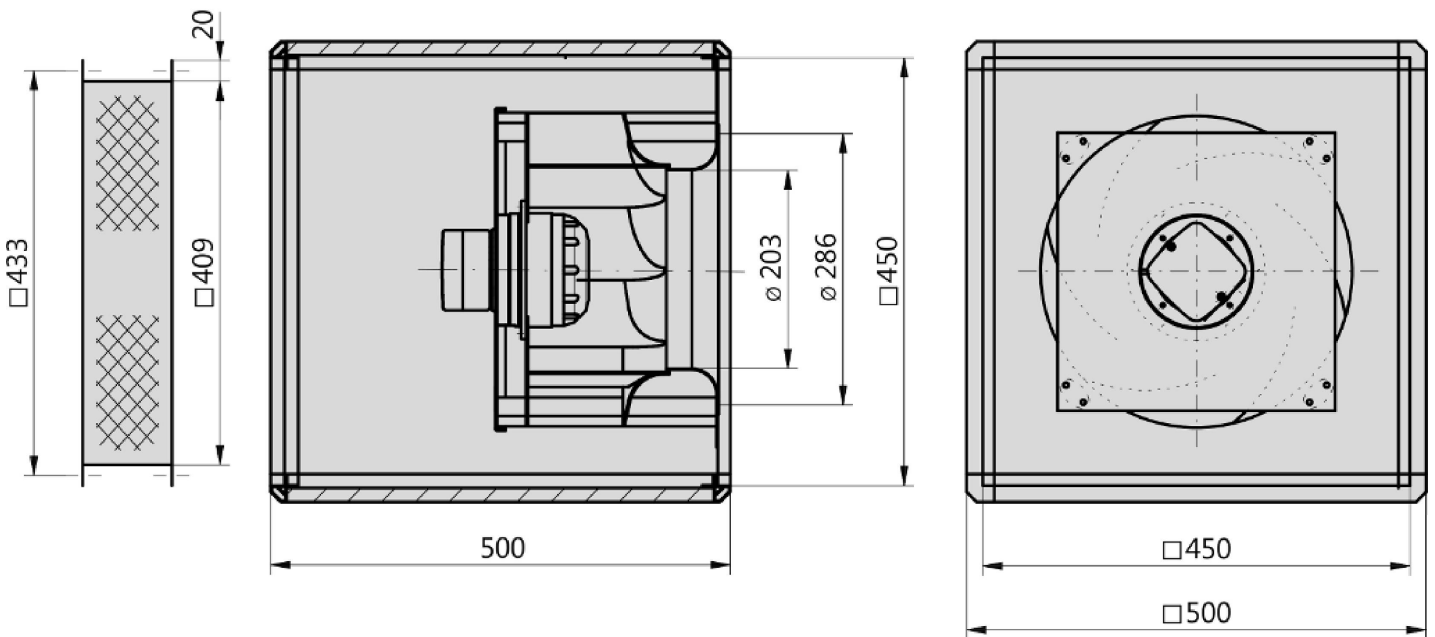
Frequency	Σ	63Hz	125Hz	250Hz	500Hz	1kHz	2kHz	4kHz	8kHz	Distances	1 m	6 m
LwA(A,in) [dB(A)]	-7	-35	-21	-8	-4	-7	-8	-12	-18	LpA(A,in) [dB(A)]	-14	-26
LwA(A,out) [dB(A)]		-34	-20	-5	-4	-7	-12	-19	-24	LpA(A,out) [dB(A)]	-7	-19
LwA(D,cas) [dB(A)]	-20	-16	-6	-2	-12	-17	-23	-33	-37	LpA(D,cas) [dB(A)]	-27	-39

performance curve at radial air flow



Type: **UNOR 50-315-4E.3EF**

Part no.: F08-31501





Type: **UNOR 50-315-4E.3EF**

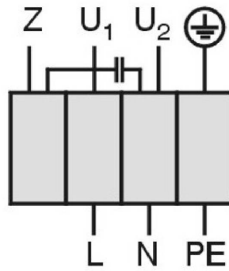
Part no.: F08-31501



Einphasenwechselstrommotor mit Betriebskondensator und Thermostatschalter.  
Thermostatschalter intern mit der Wicklung in Reihe geschaltet.

**Single phase A.C. motor with operating capacitor and thermostatic switch.  
Thermostatic switch internal wired in series with windings.**

**Moteur monophasé avec condensateur permanent et interrupteur  
thermostatique en série avec le bobinage en cas de branchement**



U<sub>1</sub> blau / blue / bleu  
 U<sub>2</sub> schwarz / black / noir  
 Z braun / brown / brun  
 PE gelb-grün  
 yellow-green  
 jaun-vert

TK3-20005

01.009

### Unobox

Boxfan with flexible outlet

The housing supporting frames are double chamber aluminium profiles with corners made of plastic and double skinned galvanized steel panels insulated with non-inflammable, noise and temperature insulating fiberglass mats. One side of the casing is open as standard. Wall thickness 20mm,  $K=1,25 \text{ W/m}^2\text{K}$ . As standard, the casing is open opposite to the inlet side. The removable side panels ensure highest possible flexibility of the air flow direction at the installation site. Impeller of the E-series (Revolution) made of black, UV-stabilized and long glass fibre reinforced Polypropylene (PP) with 7 backward curved, profiled blades and narrow efficiency optimized circumferential diffusor. Sound and weight optimized. Corrosion resistant and compact design. Air Flow orientated behaviour. Voltage controllable AC external rotor motor. Maintenance free ball bearings, closed on both sides with long-term lubrication. Motor coated black and/or die casted aluminum. Standard configuration with cable. Motor protection is guaranteed by thermal contacts, which are inlaid into the motor windings. These contacts protect the motor from being overloaded through phase failure, too high medium temperature or locked rotor. Isolation Class F. Motorized Impeller statically and dynamically balanced according to DIN ISO 21940 -11 at least with quality level G6.3. The electrical connection is mounted on the motor by a terminal box. Air volume control is possible by the use of a step transformer (accessory).

Fan complies with the guidelines required (Machinery -, EMC- and Low Voltage Directive) to comply with installation and conformity declaration as well as CE marking.

### Nominal Data:

Voltage

1~230 V

Frequency

50 Hz

Input power

0,124 kW

Current

0,56 A

Speed

1200 r/min

Medium temperature

60 °C

Protection Mode

IP 44

K-Factor

90

Weight

30 kg

Dimensions

500 mm / 500 mm / 500 mm

### Contact:

Rosenberg Ventilatoren BV

Elandlaan 8

NL - 3734 CP Den Dolder

[www.rosenberg.nl](http://www.rosenberg.nl)

### Type:



UNOR 50-315-4E.3EF

**Article-No.:**

F08-31501