



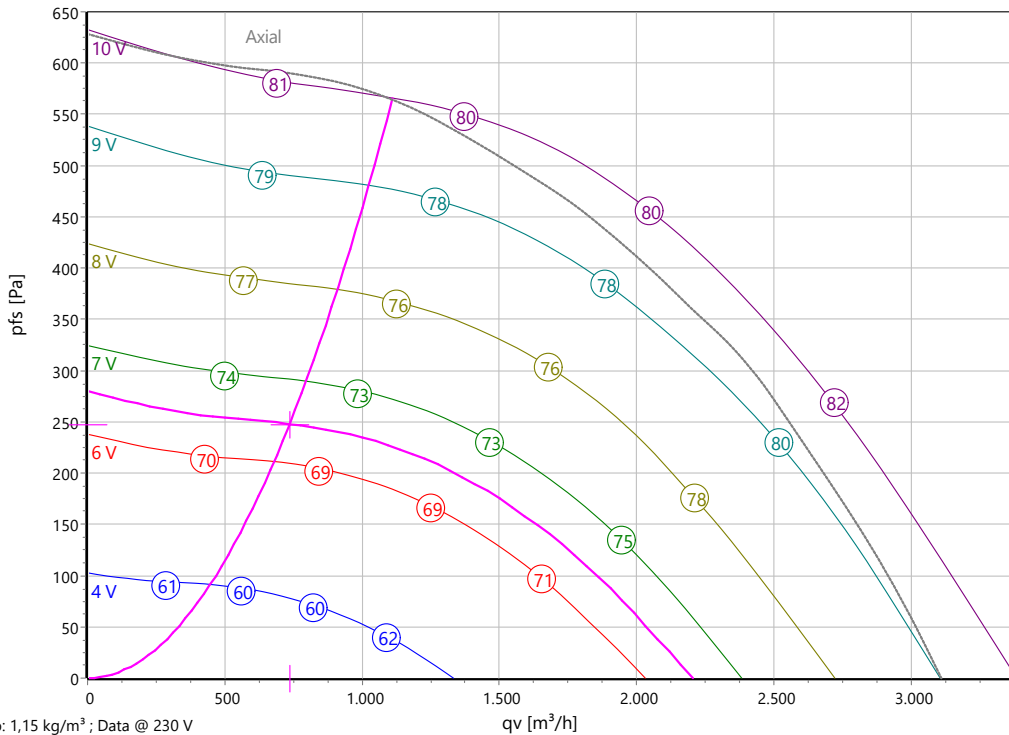
Type: **UNOR 50-315-G.4EA**

Open-loop control, 0-10 Volt

Part no.: F15-31504



Curve:



ErP-Data:

(EU) Nr. 1253/2014	(Lot6)
q _v	2219 m ³ /h
p _{fs}	417 Pa
η _{fs}	58,7 %
P _{ed}	0,44 kW
n	2200 r/min
N	64
v	1,52 m/s
η _{fs} Lot11	61,3 %

Operating Point:

q _v	735 m ³ /h
p _{fs}	248 Pa
p _{fd}	1 Pa
η _{ed,fs}	43 %
η _{ed,tot}	43 %
P _{ed}	0,119 kW
I	0,53 A
n	1458 r/min
L _{WA A,OUT}	71 dB(A)
U _c	6,5 V
v	0,504 m/s
SFP	583 Ws/m ³
FEI	2,5
t _{R,OP}	60 °C

Intersections:

Curve	q _v [m ³ /h]	p _{fs} [Pa]	P _{ed} [kW]	I [A]	n _N [r/min]	L _{WA A,OUT} [dB(A)]
10 V	1111	567	0,373	1,67	2195	80
9 V	1023	481	0,294	1,31	2027	78
8 V	908,8	380	0,21	0,94	1802	75
7 V	794,6	290	0,144	0,64	1575	73
6 V	678,2	212	0,094	0,42	1347	69
4 V	445,7	92	0,034	0,15	885	60

Nominal Data:

U [V]	f [Hz]	Data @ [V]	P _{ed} [kW]	I _N [A]	n _N [r/min]	t _R [°C]	k ₁₀ [m ² /h]	Eff.-Rating	IP	m [kg]
1~200-277	50/60	230	0,44	1,97	2200	-25 .. +40	90	IE4	IP 54	31

Sound Data:

Frequency	Σ	63Hz	125Hz	250Hz	500Hz	1kHz	2kHz	4kHz	8kHz	Distances	1 m	4 m
L _{wA(A,in)} [dB(A)]	64	29	43	56	60	57	56	52	46	L _{pA(A,in)} [dB(A)]	57	46
L _{wA(A,out)} [dB(A)]	71	37	51	66	67	64	59	52	47	L _{pA(A,out)} [dB(A)]	64	53
L _{wA(D,cas)} [dB(A)]	51	35	45	49	39	34	28	18	14	L _{pA(D,cas)} [dB(A)]	44	33

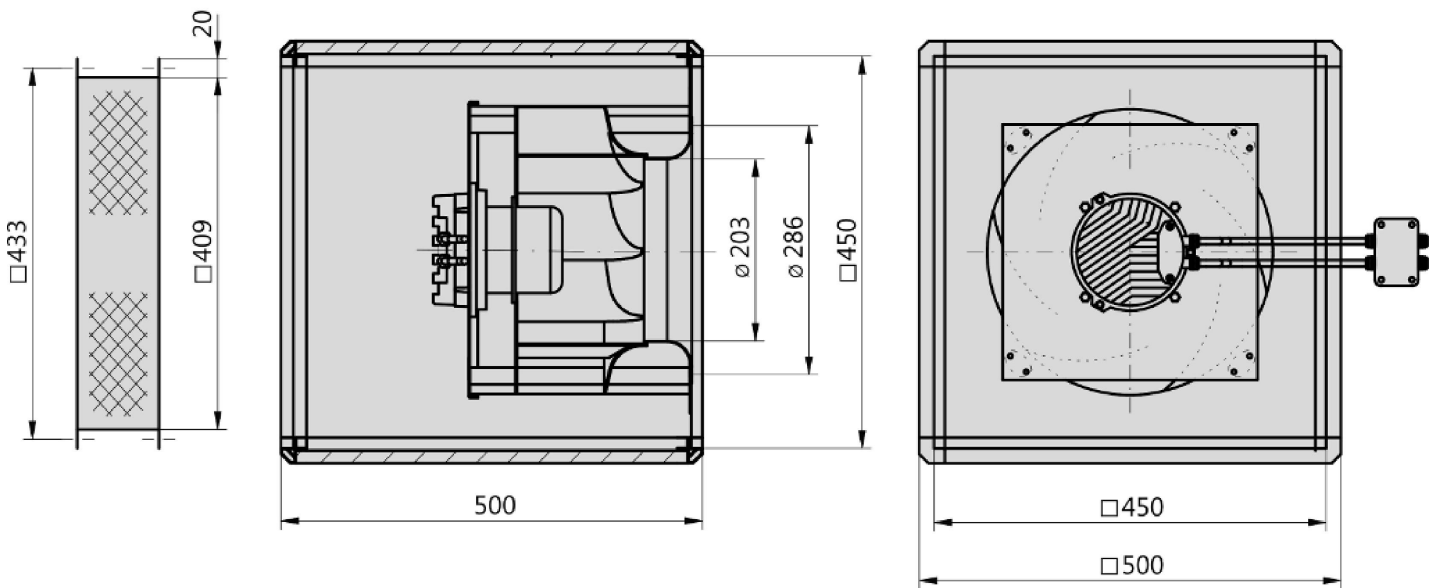
performance curve at radial air flow



Type: **UNOR 50-315-G.4EA**

Open-loop control, 0-10 Volt

Part no.: F15-31504

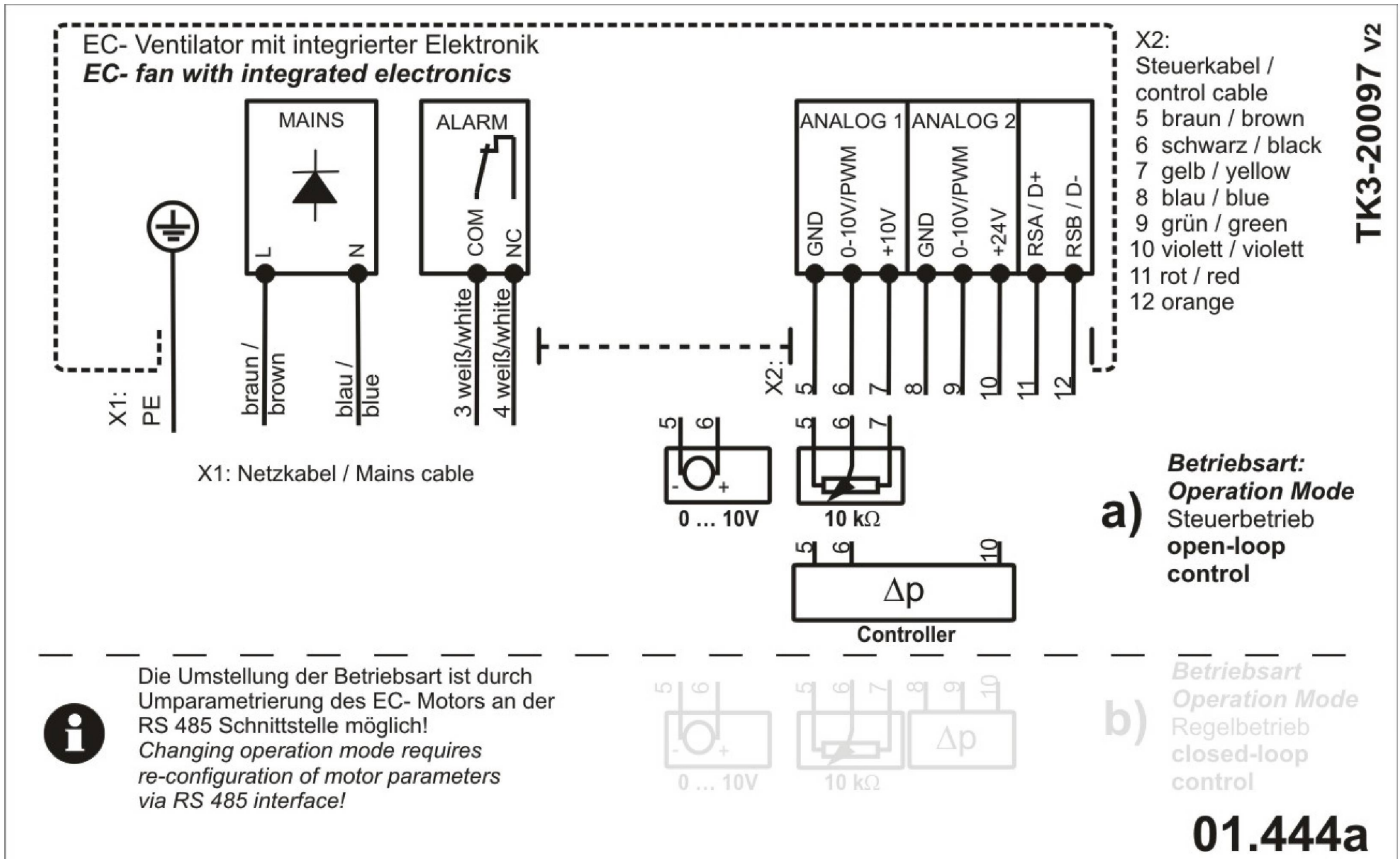




Type: **UNOR 50-315-G.4EA**

Open-loop control, 0-10 Volt

Part no.: F15-31504



Unobox

Boxfan with flexible outlet

The housing supporting frames are double chamber aluminium profiles with corners made of plastic and double skinned galvanized steel panels insulated with non-inflammable, noise and temperature insulating fiberglass mats. One side of the casing is open as standard. Wall thickness 20mm, $K=1,25 \text{ W/m}^2\text{K}$. As standard, the casing is open opposite to the inlet side. The removable side panels ensure highest possible flexibility of the air flow direction at the installation site. Impeller of the E-series (Revolution) made of black, UV-stabilized and long glass fibre reinforced Polypropylene (PP) with 7 backward curved, profiled blades and narrow efficiency optimized circumferential diffusor. Sound and weight optimized. Corrosion resistant and compact design. Air Flow orientated behaviour. Energy saving EC external-rotor motor exceeds IE4 / Super Premium Efficiency. Maintenance free ball bearings, closed on both sides with long-term lubrication. Magnets without rare earth elements. Motor coated black and/or die casted aluminum. Protection Class IP54 and insulation class F. 1-phase types with cable for supply and controlling and integrated active PFC (Power Factor Correction). 3-phase types with integrated terminal box and environmental resistant cable glands (3x M20x1,5). 100% speed controllable with integrated Motor Protection. ModBus RTU Interface integrated. Busconfiguration possible on site by customer. Soft Start. Potential-free Alarm Contact and integrated 24V Supply for Accessories. Applicable in all common energy grids. Low noise commutation. Motorized Impeller statically and dynamically balanced according to DIN ISO 21940-11 at least with quality level G6.3. The electrical connection is mounted by a terminal box (loose). Air volume control is possible over an 0-10V Signal (accessory).

Fan complies with the guidelines required (Machinery -, EMC- and Low Voltage Directive) to comply with installation and conformity declaration as well as CE marking.

Operating Point Data:

Airflow
735 m³/h
ext. Pressure
248 Pa
Input power
0,119 kW
Current
0,53 A
Speed
1458 r/min
Sound power level
71 Lw(A)
Medium temperature
60 °C

Nominal Data:

Voltage
1~200-277 V
Frequency
50/60 Hz
Input power
0,44 kW
Current
1,97 A
Speed
2200 r/min
Medium temperature

40 °C
Protection Mode
IP 54
Efficiency Class
IE4
K-Factor
90
Weight
31 kg
Dimensions
500 mm / 500 mm / 500 mm

Contact:

Rosenberg Ventilatoren BV
Elandlaan 8
NL - 3734 CP Den Dolder
<http://www.rosenberg.nl>

Type:

UNOR 50-315-G.4EA

Article-No.:

F15-31504