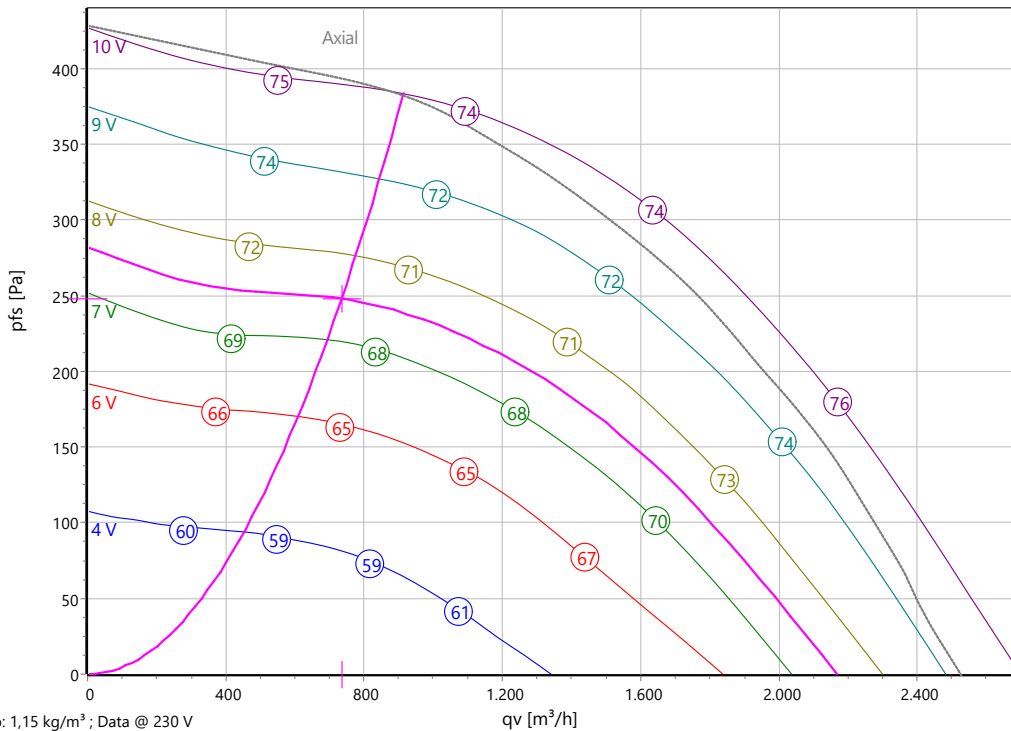




Type: **UNOR 50-315-G.3DI**
Open-loop control, 0-10 Volt
Part no.: F15-31505



Curve:



ErP-Data:

(EU) Nr. 1253/2014	(Lot6)
q _v	1773 m ³ /h
p _{fs}	280 Pa
η _{fs}	55,6 %
P _{ed}	0,25 kW
n	1800 r/min
N	64
v	1,22 m/s
η _{fs} Lot11	62,6 %

Operating Point:

q _v	735 m ³ /h
p _{fs}	248 Pa
p _{fd}	1 Pa
η _{ed,fs}	44 %
η _{ed,tot}	44 %
P _{ed}	0,115 kW
I	0,52 A
n	1459 r/min
L _{WA A,OUT}	69 dB(A)
U _c	7,5 V
v	0,504 m/s
SFP	567 Ws/m ³
FEI	2,6
t _{R,OP}	60 °C

Intersections:

Curve	q _v [m ³ /h]	p _{fs} [Pa]	P _{ed} [kW]	I [A]	n _N [r/min]	L _{WA A,OUT} [dB(A)]
10 V	914,2	384	0,214	0,94	1813	74
9 V	844,1	328	0,168	0,75	1674	72
8 V	776,1	277	0,133	0,6	1542	70
7 V	693,9	222	0,098	0,44	1377	68
6 V	609	171	0,069	0,32	1210	65
4 V	451,9	94	0,033	0,19	908	59

Nominal Data:

U [V]	f [Hz]	Data @ [V]	P _{ed} [kW]	I _N [A]	n _N [r/min]	t _R [°C]	k ₁₀ [m ² /h]	I _A / I _N	IP	m [kg]
1~200-277	50/60	230	0,25	1,12	1800	-20 .. +50	90	-	IP 54	30

Sound Data:

Frequency	Σ	63Hz	125Hz	250Hz	500Hz	1kHz	2kHz	4kHz	8kHz	Distances	1 m	4 m
L _{wA(A,in)} [dB(A)]	62	27	41	54	58	55	54	50	44	L _{pA(A,in)} [dB(A)]	55	44
L _{wA(A,out)} [dB(A)]	69	35	49	64	65	62	57	50	45	L _{pA(A,out)} [dB(A)]	62	51
L _{wA(D,cas)} [dB(A)]	49	33	43	47	37	32	26	16	12	L _{pA(D,cas)} [dB(A)]	42	31

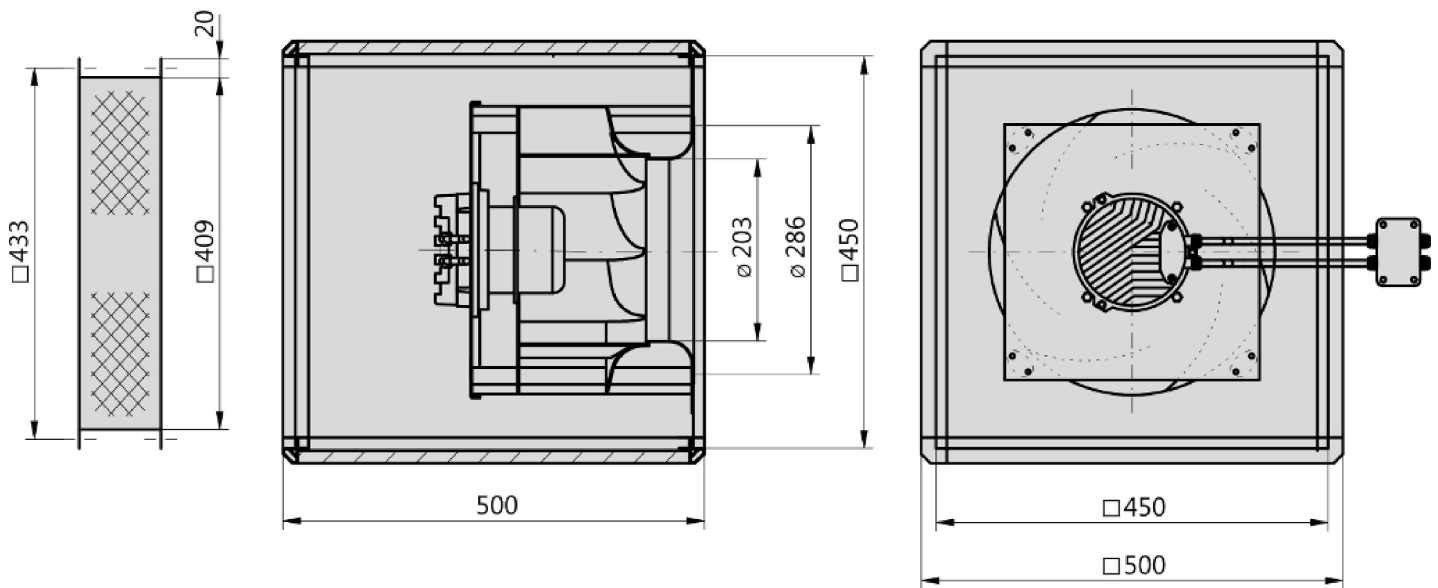
performance curve at radial air flow



Type: **UNOR 50-315-G.3DI**

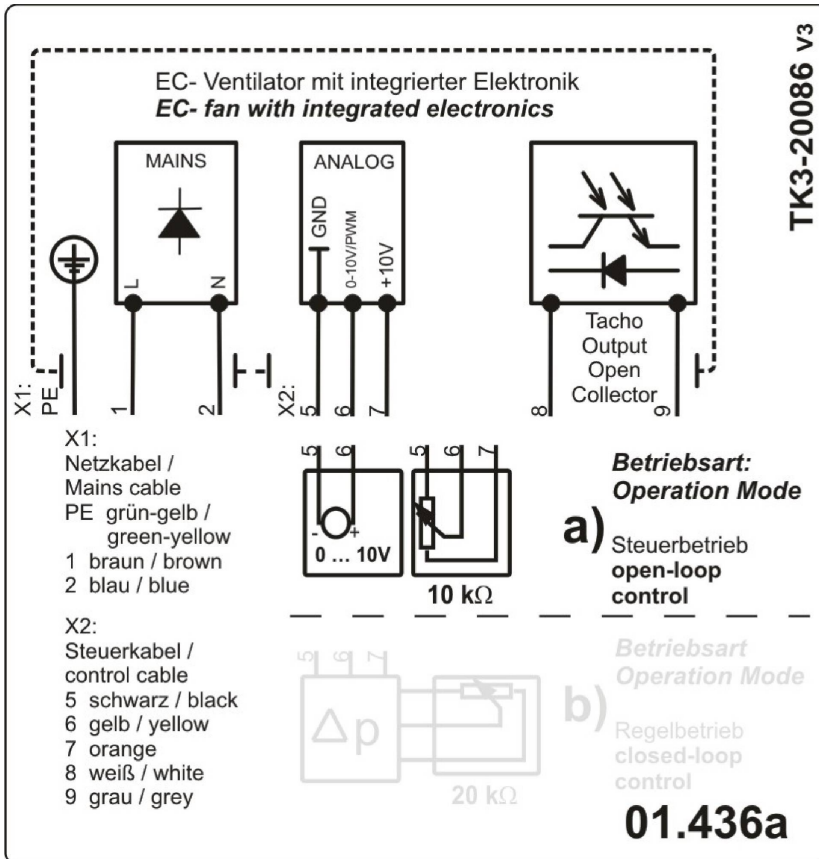
Open-loop control, 0-10 Volt

Part no.: F15-31505





Type: **UNOR 50-315-G.3DI**
 Open-loop control, 0-10 Volt
 Part no.: F15-31505



Unobox

Boxfan with flexible outlet

The housing supporting frames are double chamber aluminium profiles with corners made of plastic and double skinned galvanized steel panels insulated with non-inflammable, noise and temperature insulating fiberglass mats. One side of the casing is open as standard. Wall thickness 20mm, $K=1,25 \text{ W/m}^2\text{K}$. As standard, the casing is open opposite to the inlet side. The removable side panels ensure highest possible flexibility of the air flow direction at the installation site. Impeller of the E-series (Revolution) made of black, UV-stabilized and long glass fibre reinforced Polypropylene (PP) with 7 backward curved, profiled blades and narrow efficiency optimized circumferential diffusor. Sound and weight optimized. Corrosion resistant and compact design. Air Flow orientated behaviour. Energy saving EC external-rotor motor. Maintenance free ball bearings, closed on both sides with long-term lubrication. Motor coated black and/or electrogalvanized. Cable for supply and controlling connection. 100% speed controllable with integrated Motor Protection. Soft Start. Applicable in all common energy grids. Motorized Impeller statically and dynamically balanced according to DIN ISO 21940-11 at least with quality level G6.3. The electrical connection is mounted by a terminal box (loose). Air volume control is possible over an 0-10V Signal (accessory).

Fan complies with the guidelines required (Machinery -, EMC- and Low Voltage Directive) to comply with installation and conformity declaration as well as CE marking.

Operating Point Data:

Airflow
735 m³/h
ext. Pressure
248 Pa
Input power
0,115 kW
Current
0,52 A
Speed
1459 r/min
Sound power level
69 Lw(A)
Medium temperature
60 °C

Nominal Data:

Voltage
1~200-277 V
Frequency
50/60 Hz
Input power
0,25 kW
Current
1,12 A
Speed
1800 r/min
Medium temperature
50 °C
Protection Mode
IP 54
K-Factor

90
Weight
30 kg
Dimensions
500 mm / 500 mm / 500 mm

Contact:

Rosenberg Ventilatoren BV
Elandlaan 8
NL - 3734 CP Den Dolder
<http://www.rosenberg.nl>

Type:

UNOR 50-315-G.3DI

Article-No.:

F15-31505