



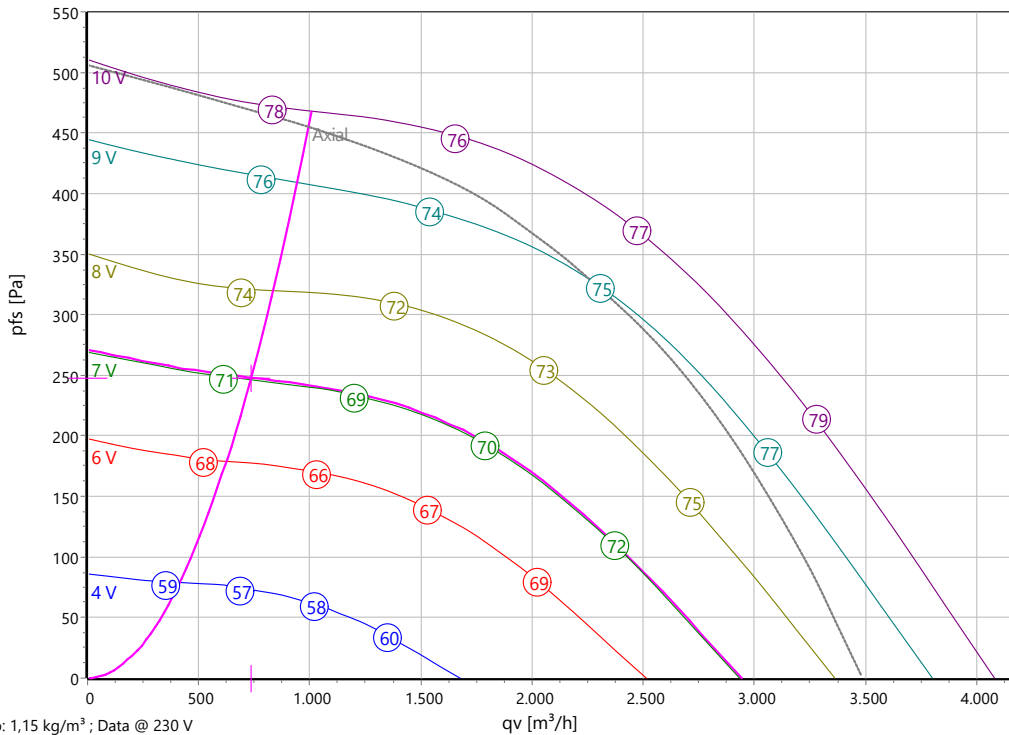
Type: **UNOR 50-355-G.4EA**

Open-loop control, 0-10 Volt

Part no.: F15-35504



**Curve:**



**ErP-Data:**

(EU) Nr. 1253/2014	(Lot6)
q <sub>v</sub>	2339 m <sup>3</sup> /h
p <sub>fs</sub>	389 Pa
η <sub>fs</sub>	54,5 %
P <sub>ed</sub>	0,46 kW
n	1715 r/min
N	59
v	1,60 m/s
η <sub>fs</sub> Lot11	58,8 %

**Operating Point:**

q <sub>v</sub>	735 m <sup>3</sup> /h
p <sub>fs</sub>	248 Pa
p <sub>fd</sub>	1 Pa
η <sub>ed,fs</sub>	39 %
η <sub>ed,tot</sub>	39 %
P <sub>ed</sub>	0,131 kW
I	0,61 A
n	1248 r/min
L <sub>WA A,OUT</sub>	70 dB(A)
U <sub>c</sub>	7 V
v	0,504 m/s
SFP	644 Ws/m <sup>3</sup>
FEI	2,3
t <sub>R,OP</sub>	60 °C

**Intersections:**

Curve	q <sub>v</sub> [m <sup>3</sup> /h]	p <sub>fs</sub> [Pa]	P <sub>ed</sub> [kW]	I [A]	n <sub>N</sub> [r/min]	L <sub>WA A,OUT</sub> [dB(A)]
10 V	1010	468	0,329	1,43	1714	77
9 V	944	410	0,266	1,18	1599	75
8 V	834,2	320	0,19	0,85	1422	73
7 V	732,6	247	0,13	0,6	1244	70
6 V	624,6	180	0,085	0,43	1063	67
4 V	415,3	80	0,031	0,23	708	58

**Nominal Data:**

U [V]	f [Hz]	Data @ [V]	P <sub>ed</sub> [kW]	I <sub>N</sub> [A]	n <sub>N</sub> [r/min]	t <sub>R</sub> [°C]	k <sub>10</sub> [m <sup>2</sup> /h]	Eff.-Rating	IP	m [kg]
1~200-277	50/60	230	0,46	2,04	1715	-25 .. +40	113	IE4	IP 54	33

**Sound Data:**

Frequency	Σ	63Hz	125Hz	250Hz	500Hz	1kHz	2kHz	4kHz	8kHz	Distances	1 m	4 m
L <sub>WA(A,in)</sub> [dB(A)]	63	28	42	55	59	56	55	51	45	L <sub>pA(A,in)</sub> [dB(A)]	56	45
L <sub>WA(A,out)</sub> [dB(A)]	70	36	50	65	66	63	58	51	46	L <sub>pA(A,out)</sub> [dB(A)]	63	52
L <sub>WA(D,cas)</sub> [dB(A)]	50	34	44	48	38	33	27	17	13	L <sub>pA(D,cas)</sub> [dB(A)]	43	32

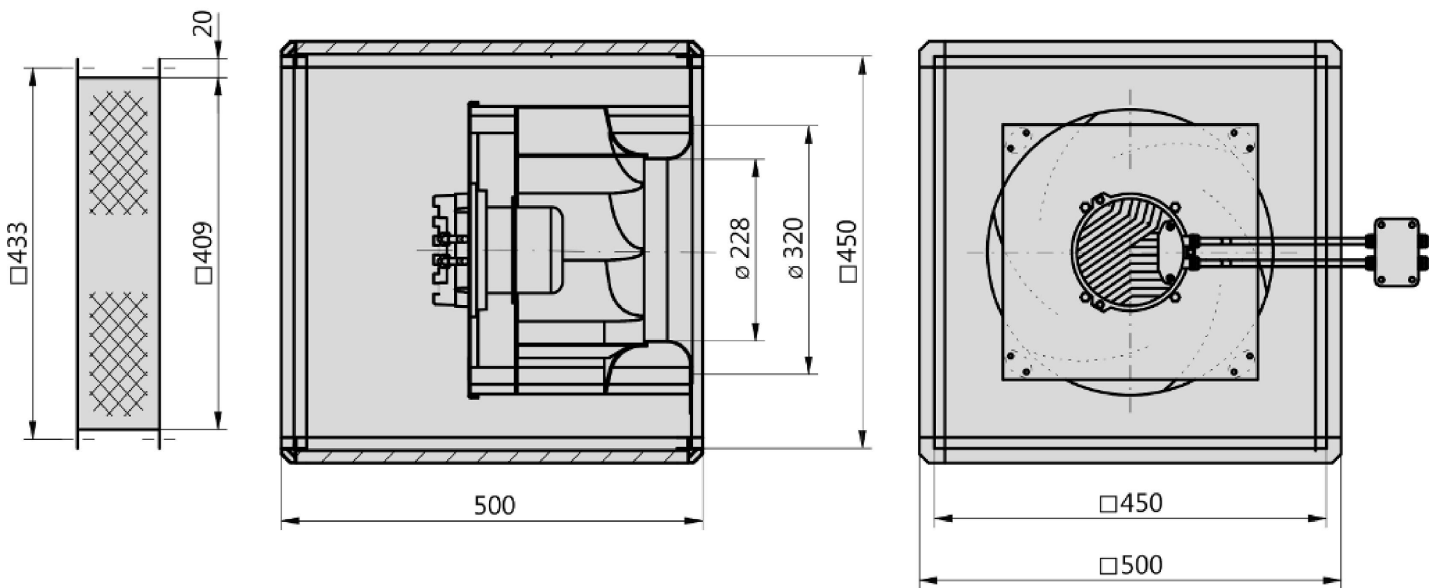
performance curve at radial air flow



Type: **UNOR 50-355-G.4EA**

Open-loop control, 0-10 Volt

Part no.: F15-35504

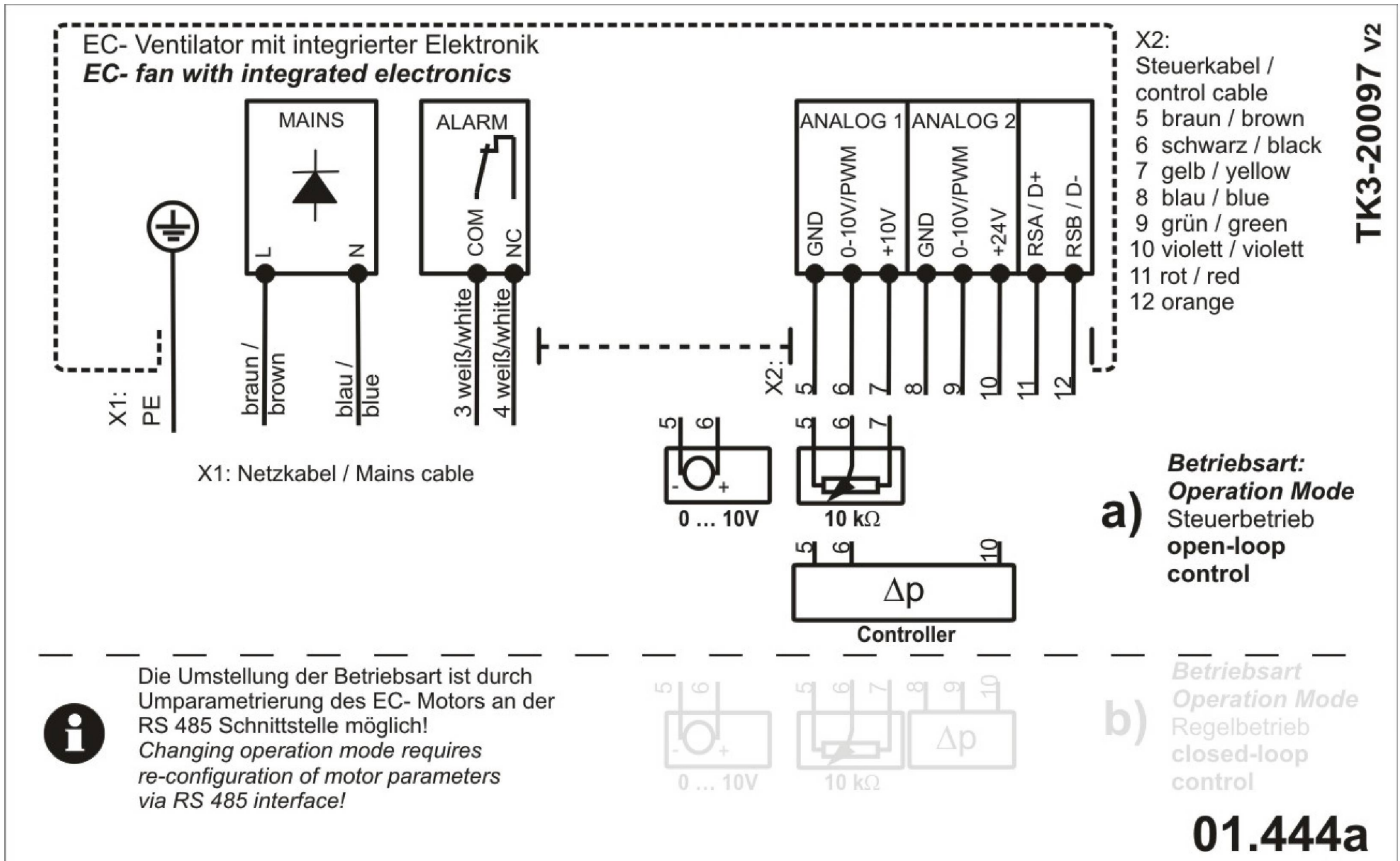




Type: **UNOR 50-355-G.4EA**

Open-loop control, 0-10 Volt

Part no.: F15-35504



### Unobox

Boxfan with flexible outlet

The housing supporting frames are double chamber aluminium profiles with corners made of plastic and double skinned galvanized steel panels insulated with non-inflammable, noise and temperature insulating fiberglass mats. One side of the casing is open as standard. Wall thickness 20mm,  $K=1,25 \text{ W/m}^2\text{K}$ . As standard, the casing is open opposite to the inlet side. The removable side panels ensure highest possible flexibility of the air flow direction at the installation site. Impeller of the E-series (Revolution) made of black, UV-stabilized and long glass fibre reinforced Polypropylene (PP) with 7 backward curved, profiled blades and narrow efficiency optimized circumferential diffusor. Sound and weight optimized. Corrosion resistant and compact design. Air Flow orientated behaviour. Energy saving EC external-rotor motor exceeds IE4 / Super Premium Efficiency. Maintenance free ball bearings, closed on both sides with long-term lubrication. Magnets without rare earth elements. Motor coated black and/or die casted aluminum. Protection Class IP54 and insulation class F. 1-phase types with cable for supply and controlling and integrated active PFC (Power Factor Correction). 3-phase types with integrated terminal box and environmental resistant cable glands (3x M20x1,5). 100% speed controllable with integrated Motor Protection. ModBus RTU Interface integrated. Busconfiguration possible on site by customer. Soft Start. Potential-free Alarm Contact and integrated 24V Supply for Accessories. Applicable in all common energy grids. Low noise commutation. Motorized Impeller statically and dynamically balanced according to DIN ISO 21940-11 at least with quality level G6.3. The electrical connection is mounted by a terminal box (loose). Air volume control is possible over an 0-10V Signal (accessory).

Fan complies with the guidelines required (Machinery -, EMC- and Low Voltage Directive) to comply with installation and conformity declaration as well as CE marking.

### Operating Point Data:

Airflow  
735 m<sup>3</sup>/h  
ext. Pressure  
248 Pa  
Input power  
0,131 kW  
Current  
0,61 A  
Speed  
1248 r/min  
Sound power level  
70 Lw(A)  
Medium temperature  
60 °C

### Nominal Data:

Voltage  
1~200-277 V  
Frequency  
50/60 Hz  
Input power  
0,46 kW  
Current  
2,04 A  
Speed  
1715 r/min  
Medium temperature

40 °C  
Protection Mode  
IP 54  
Efficiency Class  
IE4  
K-Factor  
113  
Weight  
33 kg  
Dimensions  
500 mm / 500 mm / 500 mm

**Contact:**

Rosenberg Ventilatoren BV  
Elandlaan 8  
NL - 3734 CP Den Dolder  
<http://www.rosenberg.nl>

**Type:**

UNOR 50-355-G.4EA

**Article-No.:**

F15-35504