



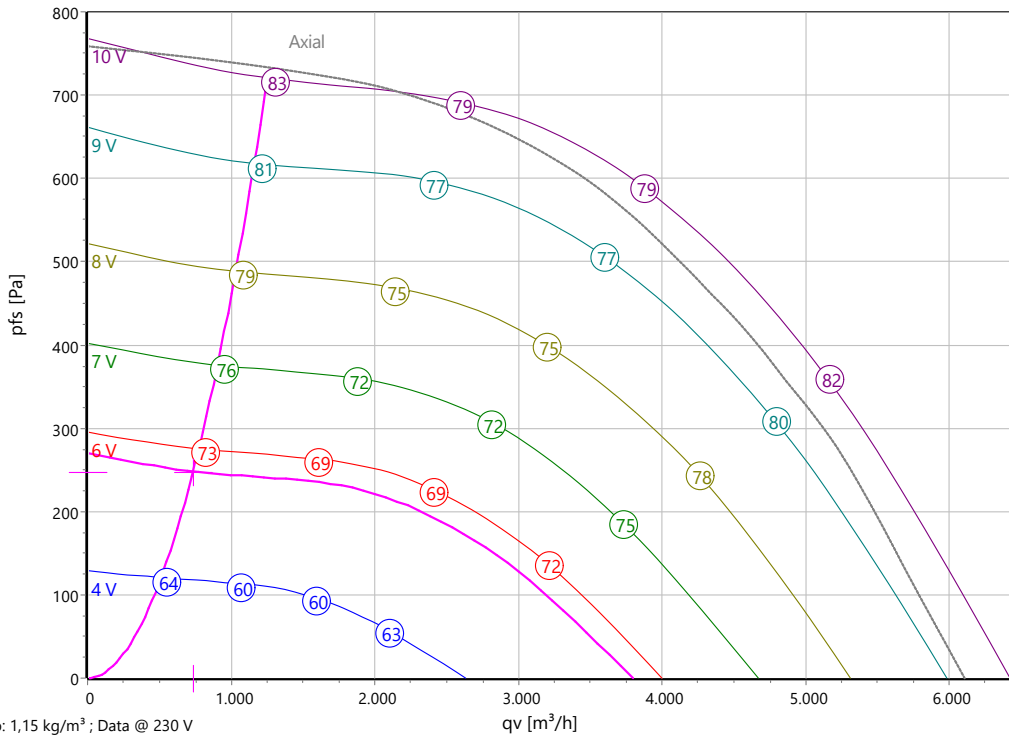
Type: **UNOR 67-400-G.5FA**

Open-loop control, 0-10 Volt

Part no.: F15-40009



**Curve:**



**ErP-Data:**

(EU) Nr. 1253/2014	(Lot6)
q <sub>v</sub>	4308 m <sup>3</sup> /h
p <sub>fs</sub>	528 Pa
η <sub>fs</sub>	61,2 %
P <sub>ed</sub>	1,03 kW
n	1875 r/min
N	61
v	1,72 m/s
η <sub>fs</sub> Lot11	60,5 %

**Operating Point:**

q <sub>v</sub>	735 m <sup>3</sup> /h
p <sub>fs</sub>	248 Pa
p <sub>fd</sub>	1 Pa
η <sub>ed,fs</sub>	34 %
η <sub>ed,tot</sub>	34 %
P <sub>ed</sub>	0,148 kW
I	0,78 A
n	1101 r/min
L <sub>WA A,OUT</sub>	71 dB(A)
U <sub>c</sub>	5,7 V
v	0,293 m/s
SFP	729 Ws/m <sup>3</sup>
FEI	2,0
t <sub>R,OP</sub>	60 °C

**Intersections:**

Curve	q <sub>v</sub> [m <sup>3</sup> /h]	p <sub>fs</sub> [Pa]	P <sub>ed</sub> [kW]	I [A]	n <sub>N</sub> [r/min]	L <sub>WA A,OUT</sub> [dB(A)]
10 V	1253	721	0,655	2,85	1874	83
9 V	1160	618	0,519	2,29	1740	81
8 V	1031	489	0,359	1,61	1545	78
7 V	904,8	376	0,254	1,17	1354	76
6 V	774,9	276	0,163	0,83	1160	72
4 V	512,5	121	0,065	0,47	768	63

**Nominal Data:**

U [V]	f [Hz]	Data @ [V]	P <sub>ed</sub> [kW]	I <sub>N</sub> [A]	n <sub>N</sub> [r/min]	t <sub>R</sub> [°C]	k <sub>10</sub> [m <sup>2</sup> /h]	Eff.-Rating	IP	m [kg]
1~200-277	50/60	230	1,04	4,6	1875	-25 .. +40	143	IE4	IP 54	46,5

**Sound Data:**

Frequency	Σ	63Hz	125Hz	250Hz	500Hz	1kHz	2kHz	4kHz	8kHz	Distances	1 m	4 m
L <sub>WA(A,in)</sub> [dB(A)]	67	38	47	60	62	61	59	54	48	L <sub>pA(A,in)</sub> [dB(A)]	60	49
L <sub>WA(A,out)</sub> [dB(A)]	71	38	56	64	65	65	64	58	52	L <sub>pA(A,out)</sub> [dB(A)]	64	53
L <sub>WA(D,cas)</sub> [dB(A)]	49	34	41	47	38	38	30	23	15	L <sub>pA(D,cas)</sub> [dB(A)]	42	31

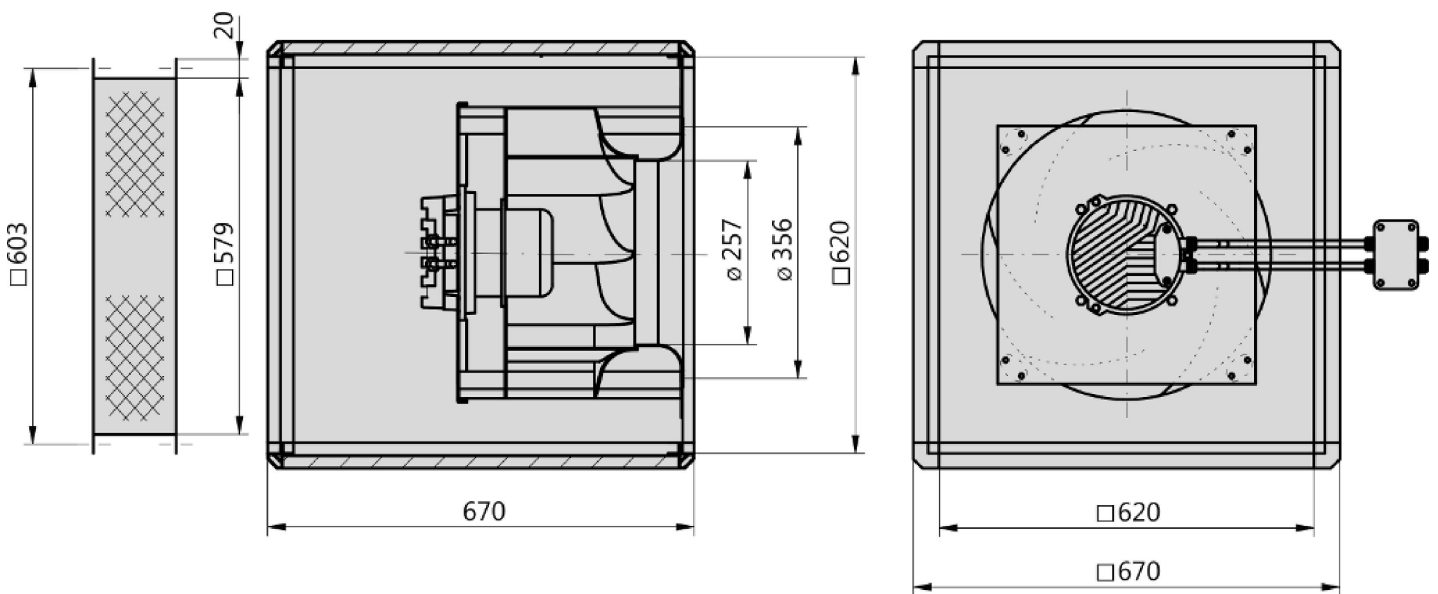
performance curve at radial air flow



Type: **UNOR 67-400-G.5FA**

Open-loop control, 0-10 Volt

Part no.: F15-40009

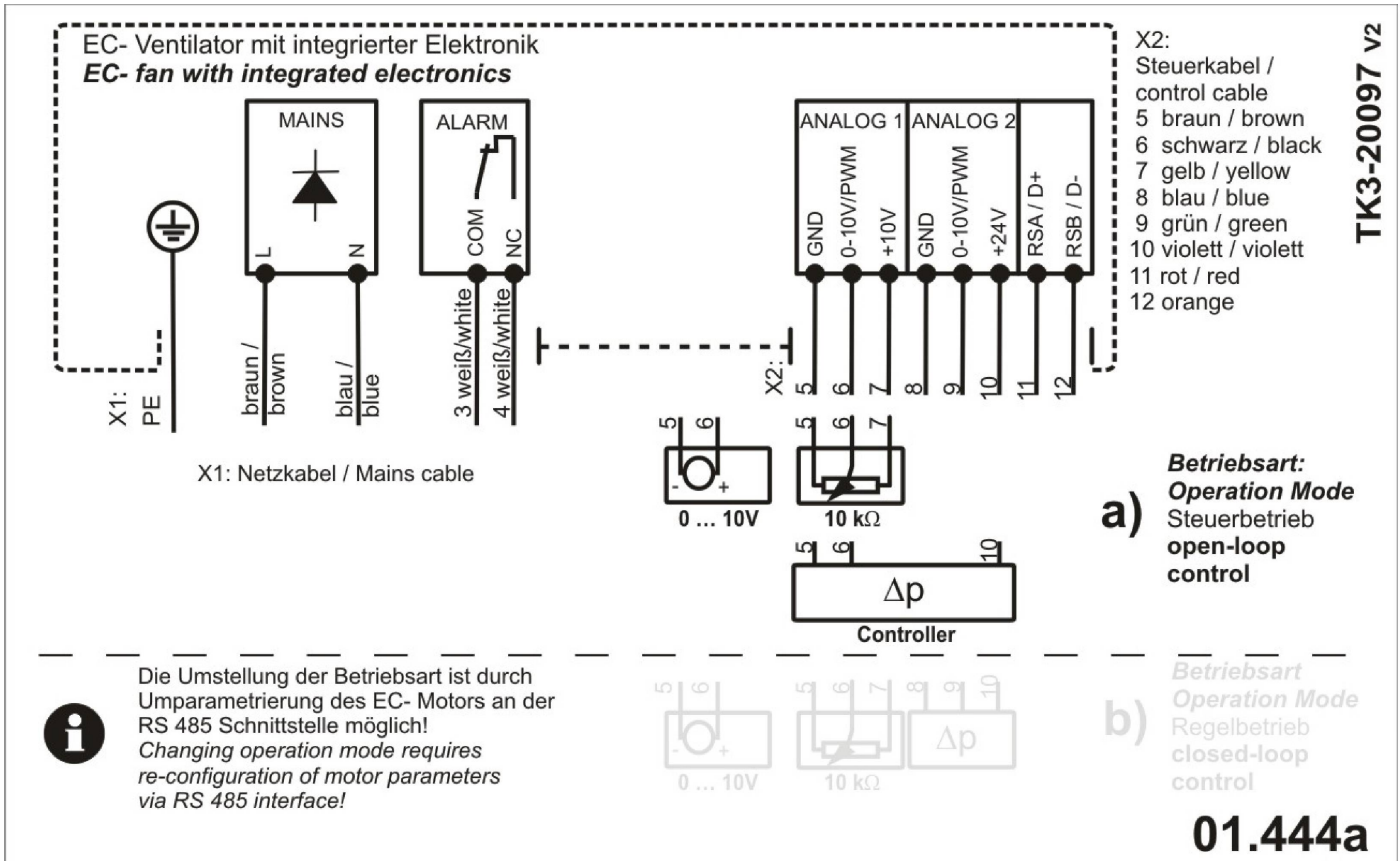




Type: **UNOR 67-400-G.5FA**

Open-loop control, 0-10 Volt

Part no.: F15-40009



### Unobox

Boxfan with flexible outlet

The housing supporting frames are double chamber aluminium profiles with corners made of plastic and double skinned galvanized steel panels insulated with non-inflammable, noise and temperature insulating fiberglass mats. One side of the casing is open as standard. Wall thickness 20mm,  $K=1,25 \text{ W/m}^2\text{K}$ . As standard, the casing is open opposite to the inlet side. The removable side panels ensure highest possible flexibility of the air flow direction at the installation site. Impeller of the E-series (Revolution) made of black, UV-stabilized and long glass fibre reinforced Polypropylene (PP) with 7 backward curved, profiled blades and narrow efficiency optimized circumferential diffusor. Sound and weight optimized. Corrosion resistant and compact design. Air Flow orientated behaviour. Energy saving EC external-rotor motor exceeds IE4 / Super Premium Efficiency. Maintenance free ball bearings, closed on both sides with long-term lubrication. Magnets without rare earth elements. Motor coated black and/or die casted aluminum. Protection Class IP54 and insulation class F. 1-phase types with cable for supply and controlling and integrated active PFC (Power Factor Correction). 3-phase types with integrated terminal box and environmental resistant cable glands (3x M20x1,5). 100% speed controllable with integrated Motor Protection. ModBus RTU Interface integrated. Busconfiguration possible on site by customer. Soft Start. Potential-free Alarm Contact and integrated 24V Supply for Accessories. Applicable in all common energy grids. Low noise commutation. Motorized Impeller statically and dynamically balanced according to DIN ISO 21940-11 at least with quality level G6.3. The electrical connection is mounted by a terminal box (loose). Air volume control is possible over an 0-10V Signal (accessory).

Fan complies with the guidelines required (Machinery -, EMC- and Low Voltage Directive) to comply with installation and conformity declaration as well as CE marking.

### Operating Point Data:

Airflow  
735 m<sup>3</sup>/h  
ext. Pressure  
248 Pa  
Input power  
0,148 kW  
Current  
0,78 A  
Speed  
1101 r/min  
Sound power level  
71 Lw(A)  
Medium temperature  
60 °C

### Nominal Data:

Voltage  
1~200-277 V  
Frequency  
50/60 Hz  
Input power  
1,04 kW  
Current  
4,6 A  
Speed  
1875 r/min  
Medium temperature

40 °C  
Protection Mode  
IP 54  
Efficiency Class  
IE4  
K-Factor  
143  
Weight  
46,5 kg  
Dimensions  
670 mm / 670 mm / 670 mm

**Contact:**

Rosenberg Ventilatoren BV  
Elandlaan 8  
NL - 3734 CP Den Dolder  
<http://www.rosenberg.nl>

**Type:**

UNOR 67-400-G.5FA

**Article-No.:**

F15-40009