



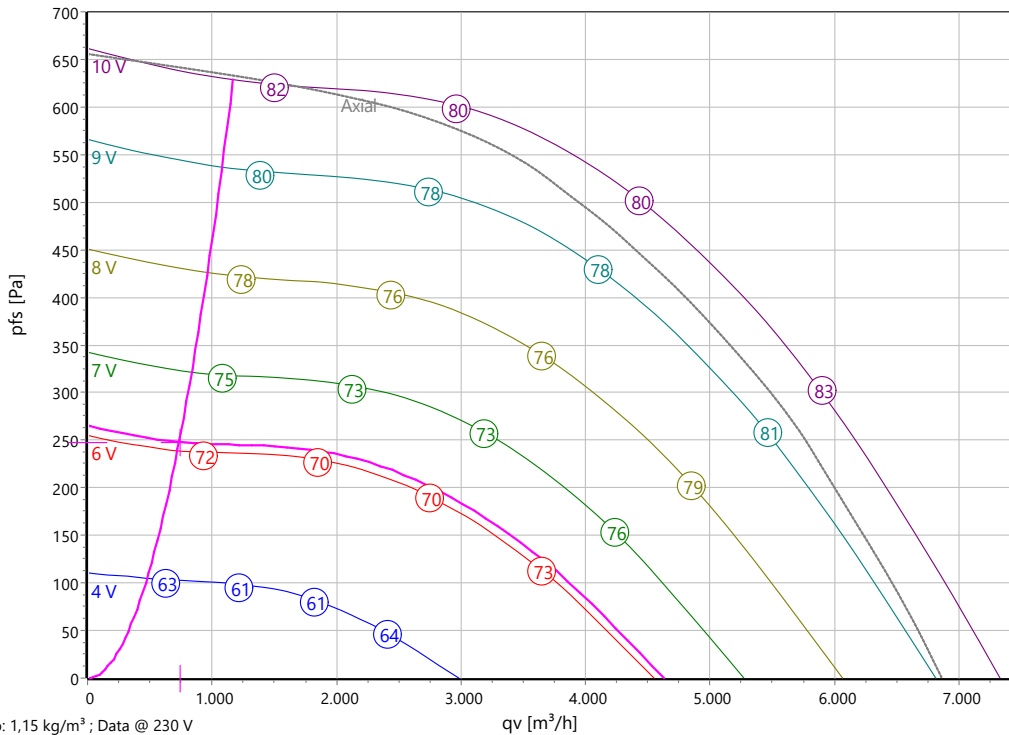
Type: **UNOR 67-450-G.5FA**

Open-loop control, 0-10 Volt

Part no.: F15-45015



Curve:



ErP-Data:

(EU) Nr. 1253/2014	(Lot6)
q _v	4933 m ³ /h
p _{fs}	445 Pa
η _{fs}	59,9 %
P _{ed}	1,02 kW
n	1550 r/min
N	60
v	1,97 m/s
η _{fs} Lot11	60,5 %

Operating Point:

q _v	735 m ³ /h
p _{fs}	248 Pa
p _{fd}	1 Pa
η _{ed,fs}	30 %
η _{ed,tot}	30 %
P _{ed}	0,169 kW
I	0,85 A
n	979 r/min
L _{WA A,OUT}	72 dB(A)
U _c	6,1 V
v	0,293 m/s
SFP	832 Ws/m ³
FEI	1,8
t _{R,OP}	60 °C

Intersections:

Curve	q _v [m ³ /h]	p _{fs} [Pa]	P _{ed} [kW]	I [A]	n _N [r/min]	L _{WA A,OUT} [dB(A)]
10 V	1170	629	0,608	2,7	1549	82
9 V	1081	537	0,491	2,16	1436	80
8 V	963,6	427	0,348	1,56	1277	78
7 V	837	322	0,239	1,11	1114	75
6 V	721,5	239	0,16	0,81	961	71
4 V	477,6	105	0,057	0,44	635	62

Nominal Data:

U [V]	f [Hz]	Data @ [V]	P _{ed} [kW]	I _N [A]	n _N [r/min]	t _R [°C]	k ₁₀ [m ² /h]	Eff.-Rating	IP	m [kg]
1~200-277	50/60	230	1,03	4,63	1550	-25 .. +40	200	IE4	IP 54	55

Sound Data:

Frequency	Σ	63Hz	125Hz	250Hz	500Hz	1kHz	2kHz	4kHz	8kHz	Distances	1 m	4 m
L _{wA(A,in)} [dB(A)]	66	34	51	60	60	59	58	55	50	L _{pA(A,in)} [dB(A)]	59	48
L _{wA(A,out)} [dB(A)]	72	38	57	63	67	67	64	57	54	L _{pA(A,out)} [dB(A)]	65	54
L _{wA(D,cas)} [dB(A)]	50	30	45	47	39	37	35	30	18	L _{pA(D,cas)} [dB(A)]	43	32

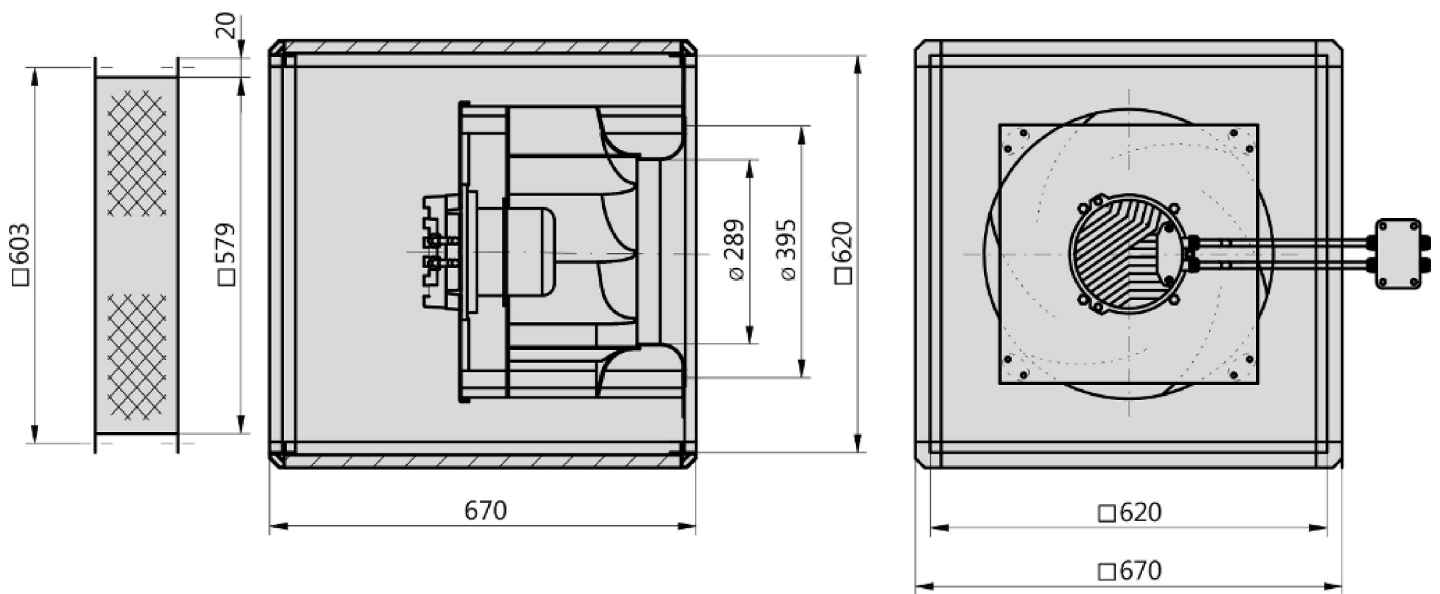
performance curve at radial air flow



Type: **UNOR 67-450-G.5FA**

Open-loop control, 0-10 Volt

Part no.: F15-45015

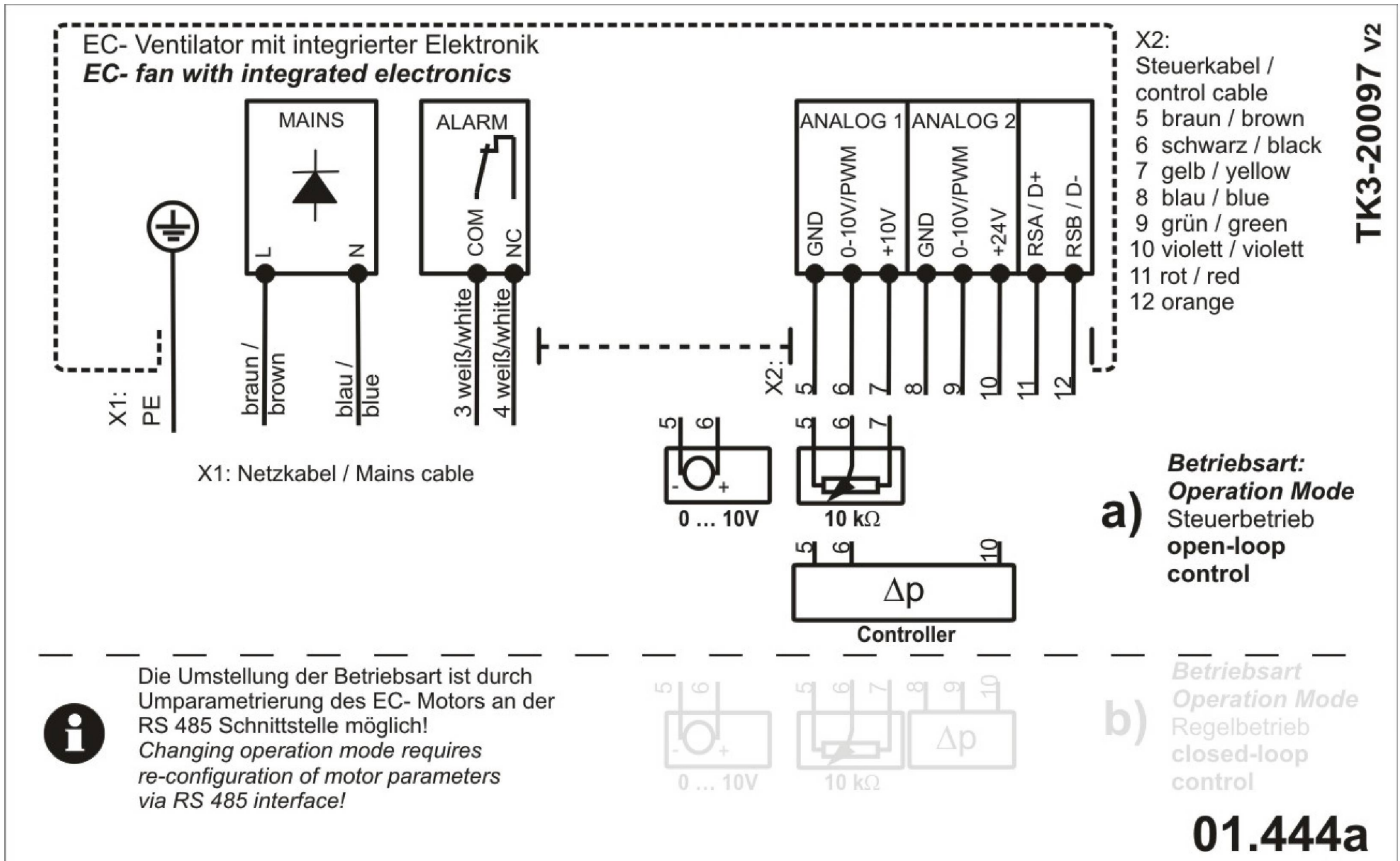




Type: **UNOR 67-450-G.5FA**

Open-loop control, 0-10 Volt

Part no.: F15-45015



Unobox

Boxfan with flexible outlet

The housing supporting frames are double chamber aluminium profiles with corners made of plastic and double skinned galvanized steel panels insulated with non-inflammable, noise and temperature insulating fiberglass mats. One side of the casing is open as standard. Wall thickness 20mm, $K=1,25 \text{ W/m}^2\text{K}$. As standard, the casing is open opposite to the inlet side. The removable side panels ensure highest possible flexibility of the air flow direction at the installation site. Impeller of the E-series (Revolution) made of black, UV-stabilized and long glass fibre reinforced Polypropylene (PP) with 7 backward curved, profiled blades and narrow efficiency optimized circumferential diffusor. Sound and weight optimized. Corrosion resistant and compact design. Air Flow orientated behaviour. Energy saving EC external-rotor motor exceeds IE4 / Super Premium Efficiency. Maintenance free ball bearings, closed on both sides with long-term lubrication. Magnets without rare earth elements. Motor coated black and/or die casted aluminum. Protection Class IP54 and insulation class F. 1-phase types with cable for supply and controlling and integrated active PFC (Power Factor Correction). 3-phase types with integrated terminal box and environmental resistant cable glands (3x M20x1,5). 100% speed controllable with integrated Motor Protection. ModBus RTU Interface integrated. Busconfiguration possible on site by customer. Soft Start. Potential-free Alarm Contact and integrated 24V Supply for Accessories. Applicable in all common energy grids. Low noise commutation. Motorized Impeller statically and dynamically balanced according to DIN ISO 21940-11 at least with quality level G6.3. The electrical connection is mounted by a terminal box (loose). Air volume control is possible over an 0-10V Signal (accessory).

Fan complies with the guidelines required (Machinery -, EMC- and Low Voltage Directive) to comply with installation and conformity declaration as well as CE marking.

Operating Point Data:

Airflow
735 m³/h
ext. Pressure
248 Pa
Input power
0,169 kW
Current
0,85 A
Speed
979 r/min
Sound power level
72 Lw(A)
Medium temperature
60 °C

Nominal Data:

Voltage
1~200-277 V
Frequency
50/60 Hz
Input power
1,03 kW
Current
4,63 A
Speed
1550 r/min
Medium temperature

40 °C
Protection Mode
IP 54
Efficiency Class
IE4
K-Factor
200
Weight
55 kg
Dimensions
670 mm / 670 mm / 670 mm

Contact:

Rosenberg Ventilatoren BV
Elandlaan 8
NL - 3734 CP Den Dolder
<http://www.rosenberg.nl>

Type:

UNOR 67-450-G.5FA

Article-No.:

F15-45015