

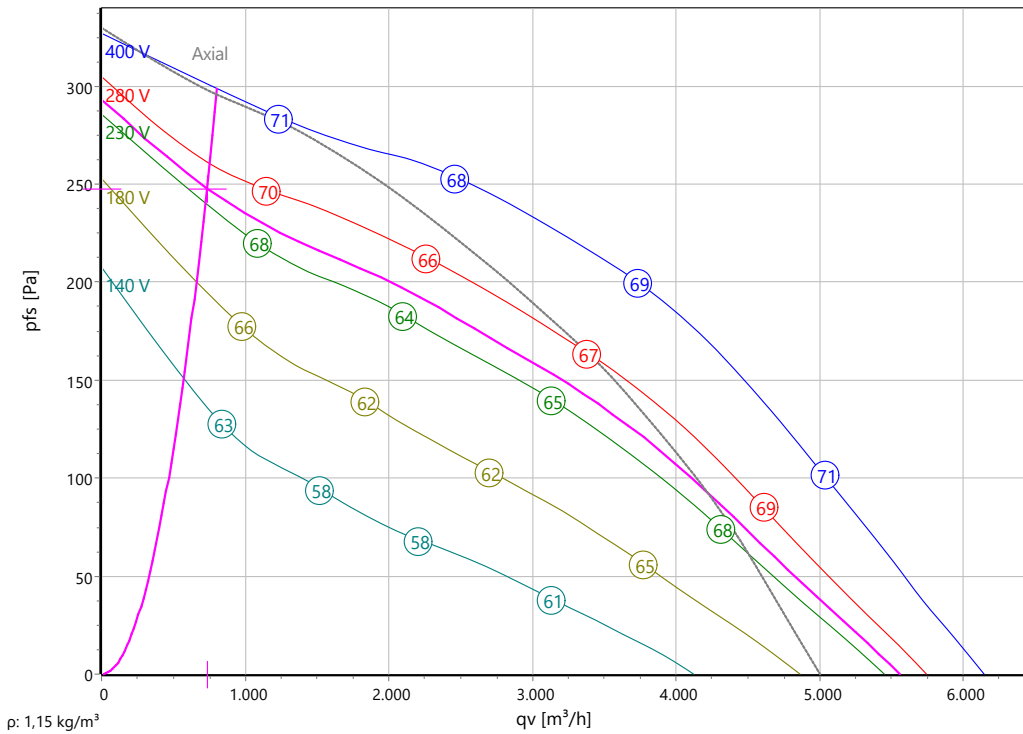


Type: **UNOR 67-500-6D.6DF**

Part no.: F08-50005



**Curve:**



**ErP-Data:**

(EU) Nr. 1253/2014	(Lot6)
q <sub>v</sub>	3532 m <sup>3</sup> /h
p <sub>fs</sub>	210 Pa
η <sub>fs</sub>	50,5 %
P <sub>e</sub>	0,41 kW
n	905 r/min
N	56
v	1,41 m/s
η <sub>fs</sub> Lot11	50,5 %

**Operating Point:**

q <sub>v</sub>	735 m <sup>3</sup> /h
p <sub>fs</sub>	248 Pa
p <sub>fd</sub>	1 Pa
η <sub>e,fs</sub>	26 %
η <sub>e,tot</sub>	26 %
P <sub>e</sub>	0,197 kW
I	0,63 A
n	866 r/min
L <sub>WA A,OUT</sub>	69 dB(A)
U	249 V
v	0,293 m/s
SFP	965 Ws/m <sup>3</sup>
FEI	1,5

**Intersections:**

Curve	q <sub>v</sub> [m <sup>3</sup> /h]	p <sub>fs</sub> [Pa]	P <sub>e</sub> [kW]	I [A]	n <sub>N</sub> [r/min]	L <sub>WA A,OUT</sub> [dB(A)]
400 V	806,3	299	0,27	0,93	946	71
280 V	753,3	261	0,212	0,65	892	70
230 V	723,5	241	0,186	0,62	849	69
180 V	660,6	201	0,157	0,61	772	67
140 V	573,2	151	0,125	0,6	669	64

**Nominal Data:**

U [V]	f [Hz]	C [μF]	P <sub>e</sub> [kW]	I <sub>N</sub> [A]	n <sub>N</sub> [r/min]	t <sub>R</sub> [°C]	k <sub>10</sub> [m <sup>2</sup> /h]	I <sub>A</sub> / I <sub>N</sub>	IP	m [kg]
400D	50	-	0,41	1,03	905	-25 .. +60	240	1,1	IP 54	60

**Sound Data:**

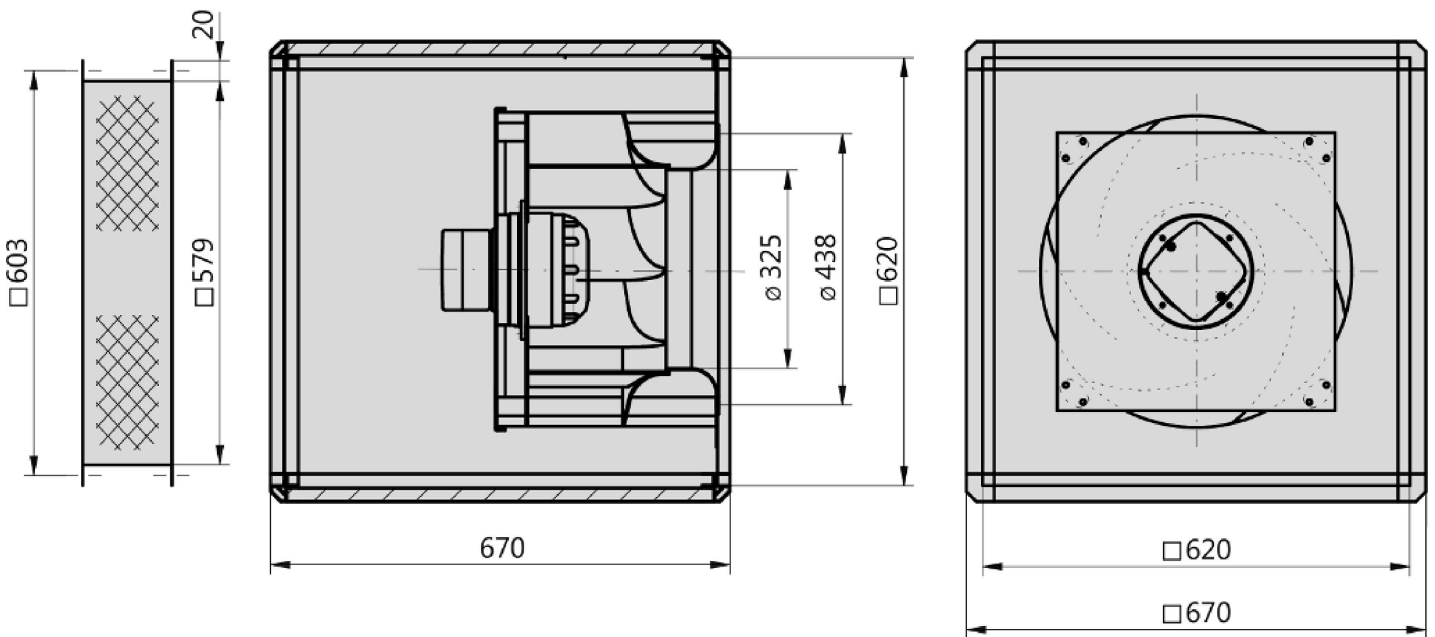
Frequency	Σ	63Hz	125Hz	250Hz	500Hz	1kHz	2kHz	4kHz	8kHz	Distances	1 m	4 m
L <sub>wA(A,in)</sub> [dB(A)]	62	38	49	56	56	56	53	49	43	L <sub>pA(A,in)</sub> [dB(A)]	55	44
L <sub>wA(A,out)</sub> [dB(A)]	69	36	62	64	62	62	56	52	47	L <sub>pA(A,out)</sub> [dB(A)]	62	51
L <sub>wA(D,cas)</sub> [dB(A)]	49	31	47	44	33	29	19	13	9	L <sub>pA(D,cas)</sub> [dB(A)]	42	31

performance curve at radial air flow



Type: **UNOR 67-500-6D.6DF**

Part no.: F08-50005





Type: **UNOR 67-500-6D.6DF**

Part no.: F08-50005

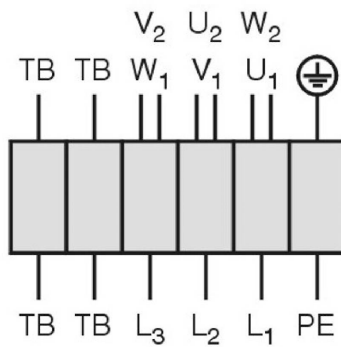


Drehstrommotor in  $\Delta$ -Schaltung mit Thermostatschalter (TB).  
Drehrichtungsänderung durch Vertauschen von 2 Phasen.

**Three phase motor in delta connection with thermostatic switch (TB). Changing of rotation direction by interchanging of 2 phases.**

**Moteur triphasé branché en triangle avec interrupteur thermostatique (TB). Changement de sens de rotation par inversion de deux phases.**

TK3-20004



U <sub>1</sub>	braun / brown / brun
V <sub>1</sub>	blau / blue / bleu
W <sub>1</sub>	schwarz / black / noir
U <sub>2</sub>	rot / red / rouge
V <sub>2</sub>	grau / grey / gris
W <sub>2</sub>	orange / orange / orange
TB	weiß / white / blanc
PE	gelb-grün yellow-green jaune-vert

01.006

### Unobox

Boxfan with flexible outlet

The housing supporting frames are double chamber aluminium profiles with corners made of plastic and double skinned galvanized steel panels insulated with non-inflammable, noise and temperature insulating fiberglass mats. One side of the casing is open as standard. Wall thickness 20mm,  $K=1,25 \text{ W/m}^2\text{K}$ . As standard, the casing is open opposite to the inlet side. The removable side panels ensure highest possible flexibility of the air flow direction at the installation site. Impeller of the E-series (Revolution) made of black, UV-stabilized and long glass fibre reinforced Polypropylene (PP) with 7 backward curved, profiled blades and narrow efficiency optimized circumferential diffusor. Sound and weight optimized. Corrosion resistant and compact design. Air Flow orientated behaviour. Voltage controllable AC external rotor motor. Maintenance free ball bearings, closed on both sides with long-term lubrication. Motor coated black and/or die casted aluminum. Standard configuration with cable. Motor protection is guaranteed by thermal contacts, which are inlaid into the motor windings. These contacts protect the motor from being overloaded through phase failure, too high medium temperature or locked rotor. Isolation Class F. Motorized Impeller statically and dynamically balanced according to DIN ISO 21940 -11 at least with quality level G6.3. The electrical connection is mounted on the motor by a terminal box. Air volume control is possible by the use of an frequency converter (max. 50Hz) or a step transformer (accessory).

Fan complies with the guidelines required (Machinery -, EMC- and Low Voltage Directive) to comply with installation and conformity declaration as well as CE marking.

### Operating Point Data:

Airflow

735 m<sup>3</sup>/h

ext. Pressure

248 Pa

Input power

0,197 kW

Current

0,63 A

Speed

866 r/min

Sound power level

69 Lw(A)

### Nominal Data:

Voltage

400D V

Frequency

50 Hz

Input power

0,41 kW

Current

1,03 A

Speed

905 r/min

Medium temperature

60 °C

Protection Mode

IP 54

K-Factor



240  
Weight  
60 kg  
Dimensions  
670 mm / 670 mm / 670 mm

**Contact:**

Rosenberg Ventilatoren BV  
Elandlaan 8  
NL - 3734 CP Den Dolder  
<http://www.rosenberg.nl>

**Type:**

UNOR 67-500-6D.6DF

**Article-No.:**

F08-50005