

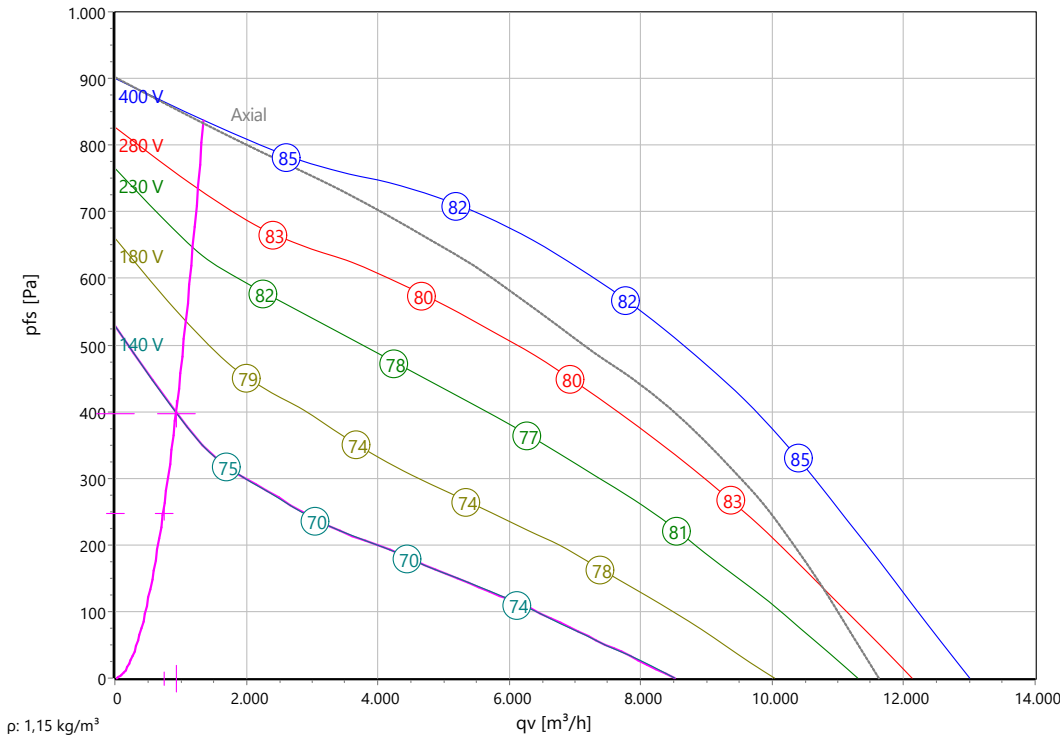


Type: **UNOR 80-560-4D.6LA**

Part no.: F08-56023



Curve:



$\rho: 1,15 \text{ kg/m}^3$

Set point:

q_v	735	m^3/h	p_{fs}	248	Pa
-------	-----	-----------------------	----------	-----	----

Intersections:

Curve	q_v [m³/h]	p_{fs} [Pa]	P_e [kW]	I [A]	n_N [r/min]	$L_{WA, A, OUT}$ [dB(A)]
400 V	1350	837	1,212	3,06	1412	85
280 V	1265	735	1,05	2,8	1326	84
230 V	1187	647	0,962	2,89	1249	83
180 V	1080	536	0,787	2,94	1129	80
140 V	931,5	399	0,614	2,91	974	77

Nominal Data:

U [V]	f [Hz]	C [μF]	P_e [kW]	I_N [A]	n_N [r/min]	t_R [°C]	k_{10} [m²s/h]	I_A / I_N	IP	m [kg]
400D	50	-	2,1	4,07	1340	-25 .. +50	309	4	IP 54	95

ΔI 2,5 %

Sound Data:

Frequency	Σ		125Hz	250Hz	500Hz	1kHz	2kHz	4kHz	8kHz	Distances	1 m	4 m
$L_{wA(A, in)}$ [dB(A)]	72	-	61	67	66	65	62	58	53	$L_{pA(A, in)}$ [dB(A)]	65	54
$L_{wA(A, out)}$ [dB(A)]	77	-	69	71	71	71	65	60	54	$L_{pA(A, out)}$ [dB(A)]	70	59
$L_{wA(D, cas)}$ [dB(A)]	60	-	57	56	45	45	43	36	26	$L_{pA(D, cas)}$ [dB(A)]	53	42

performance curve at radial air flow

ErP-Data:

(EU) Nr. 1253/2014	(Lot6)
q_v	8030 m^3/h
p_{fs}	548 Pa
η_{fs}	58,3 %
P_e	2,1 kW
n	1337 r/min
N	53
v	2,41 m/s
η_{fs} Lot11	58,3 %

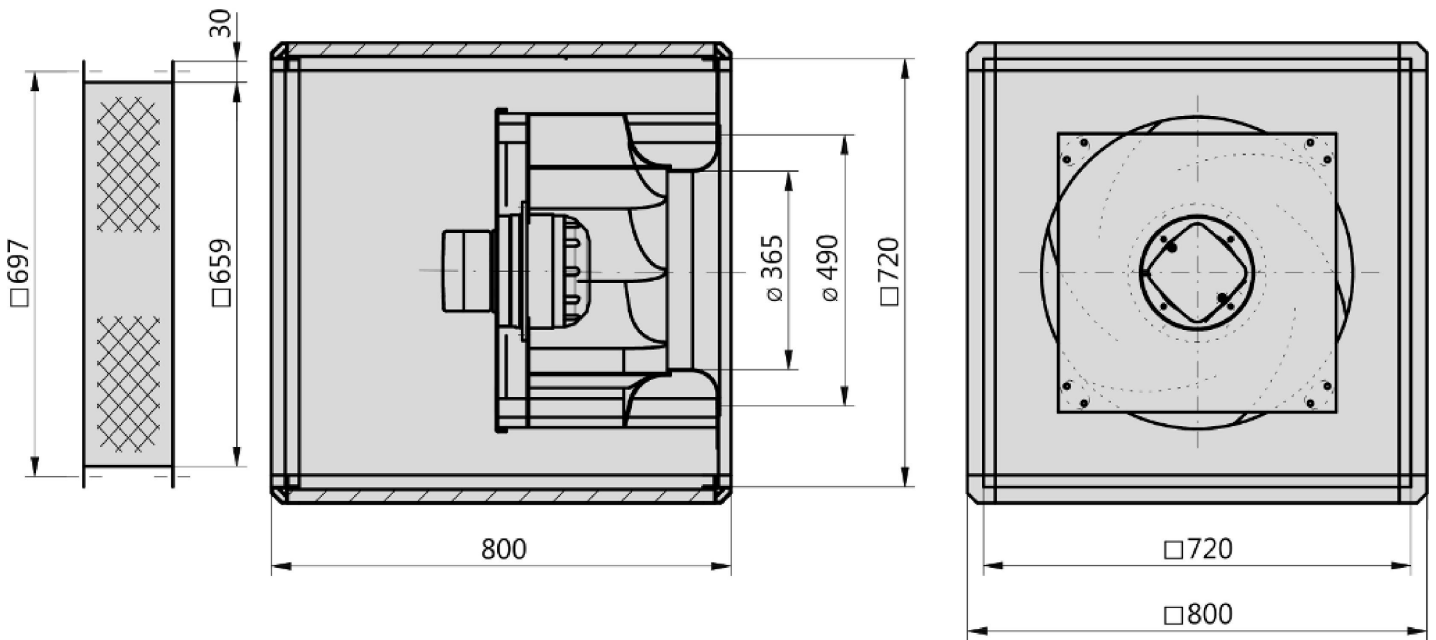
Operating Point:

q_v	932 m^3/h
p_{fs}	398 Pa
p_{fd}	1 Pa
$\eta_{e, fs}$	17 %
$\eta_{e, tot}$	17 %
P_e	0,614 kW
I	2,9 A
n	974 r/min
$L_{wA, A, OUT}$	77 dB(A)
U	140 V
v	0,280 m/s
SFP	2377 Ws/m^3
FEI	0,74



Type: **UNOR 80-560-4D.6LA**

Part no.: F08-56023





Type: **UNOR 80-560-4D.6LA**

Part no.: F08-56023

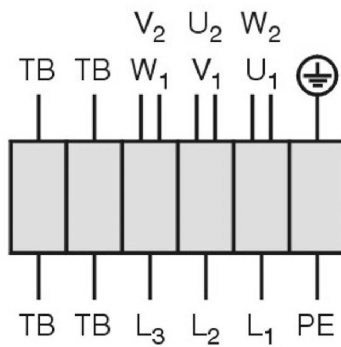


Drehstrommotor in Δ -Schaltung mit Thermostatschalter (TB).
Drehrichtungsänderung durch Vertauschen von 2 Phasen.

Three phase motor in delta connection with thermostatic switch (TB). Changing of rotation direction by interchanging of 2 phases.

Moteur triphasé branché en triangle avec interrupteur thermostatique (TB). Changement de sens de rotation par inversion de deux phases.

TK3-20004



U ₁	braun / brown / brun
V ₁	blau / blue / bleu
W ₁	schwarz / black / noir
U ₂	rot / red / rouge
V ₂	grau / grey / gris
W ₂	orange / orange / orange
TB	weiß / white / blanc
PE	gelb-grün yellow-green jaune-vert

01.006

Unobox

Boxfan with flexible outlet

The housing supporting frames are double chamber aluminium profiles with corners made of plastic and double skinned galvanized steel panels insulated with non-inflammable, noise and temperature insulating fiberglass mats. One side of the casing is open as standard. Wall thickness 20mm, $K=1,25 \text{ W/m}^2\text{K}$. As standard, the casing is open opposite to the inlet side. The removable side panels ensure highest possible flexibility of the air flow direction at the installation site. Impeller of the E-series (Revolution) made of black, UV-stabilized and long glass fibre reinforced Polypropylene (PP) with 7 backward curved, profiled blades and narrow efficiency optimized circumferential diffusor. Sound and weight optimized. Corrosion resistant and compact design. Air Flow orientated behaviour. Voltage controllable AC external rotor motor. Maintenance free ball bearings, closed on both sides with long-term lubrication. Motor coated black and/or die casted aluminum. Standard configuration with cable. Motor protection is guaranteed by thermal contacts, which are inlaid into the motor windings. These contacts protect the motor from being overloaded through phase failure, too high medium temperature or locked rotor. Isolation Class F. Motorized Impeller statically and dynamically balanced according to DIN ISO 21940 -11 at least with quality level G6.3. The electrical connection is mounted on the motor by a terminal box. Air volume control is possible by the use of an frequency converter (max. 50Hz) or a step transformer (accessory).

Fan complies with the guidelines required (Machinery -, EMC- and Low Voltage Directive) to comply with installation and conformity declaration as well as CE marking.

Operating Point Data:

Airflow

932 m³/h

ext. Pressure

398 Pa

Input power

0,614 kW

Current

2,9 A

Speed

974 r/min

Sound power level

77 Lw(A)

Nominal Data:

Voltage

400D V

Frequency

50 Hz

Input power

2,1 kW

Current

4,07 A

Speed

1340 r/min

Medium temperature

50 °C

Protection Mode

IP 54

K-Factor

309
Weight
95 kg
Dimensions
800 mm / 800 mm / 800 mm

Contact:

Rosenberg Ventilatoren BV
Elandlaan 8
NL - 3734 CP Den Dolder
<http://www.rosenberg.nl>

Type:

UNOR 80-560-4D.6LA

Article-No.:

F08-56023