

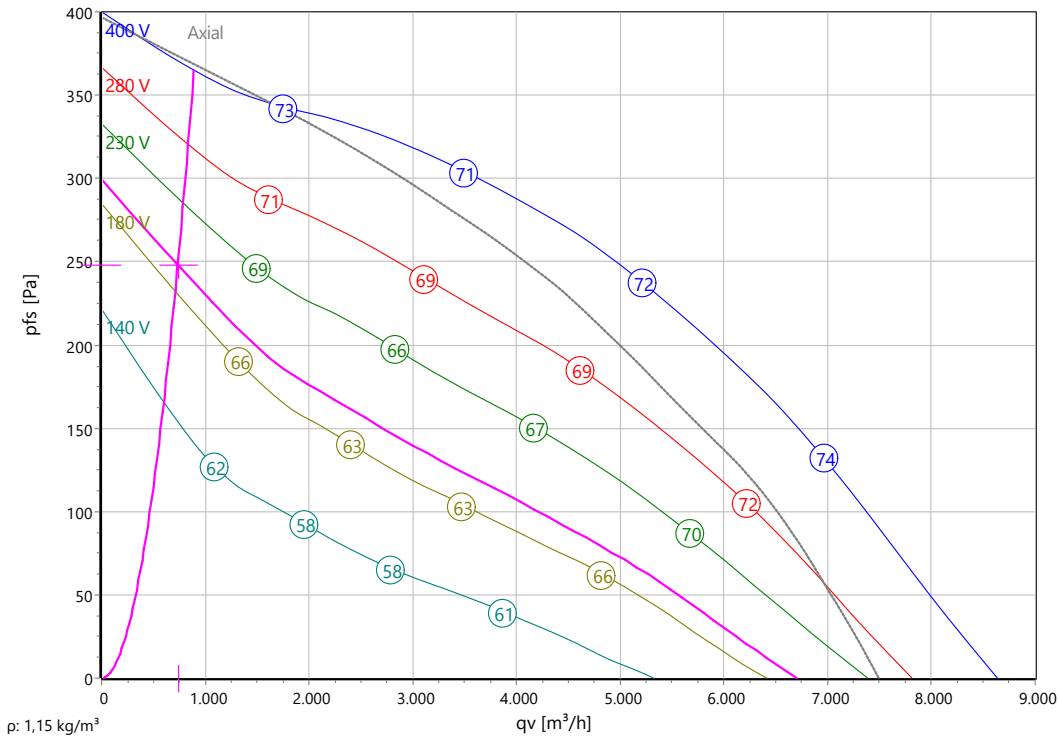


Type: **UNOR 80-560-6D.6FA**

Part no.: F08-56024



Curve:



ErP-Data:

(EU) Nr. 1253/2014	(Lot6)
q _v	4869 m ³ /h
p _{fs}	254 Pa
η _{fs}	52,1 %
P _e	0,66 kW
n	881 r/min
N	54
v	1,46 m/s
η _{fs} Lot11	52,1 %

Operating Point:

q _v	735 m ³ /h
p _{fs}	248 Pa
p _{fd}	1 Pa
η _{e,fs}	21 %
η _{e,tot}	21 %
P _e	0,247 kW
I	0,95 A
n	762 r/min
L _{WA A,OUT}	69 dB(A)
U	195 V
v	0,221 m/s
SFP	1213 Ws/m ³
FEI	1,2

Intersections:

Curve	q _v [m ³ /h]	p _{fs} [Pa]	P _e [kW]	I [A]	n _N [r/min]	L _{WA A,OUT} [dB(A)]
400 V	891,5	365	0,404	1,26	935	73
280 V	835,2	321	0,331	0,99	874	72
230 V	788,6	286	0,285	0,96	822	70
180 V	711,4	233	0,231	0,94	735	68
140 V	600,7	166	0,175	0,91	620	64

Nominal Data:

U [V]	f [Hz]	C [μF]	P _e [kW]	I _N [A]	n _N [r/min]	t _R [°C]	k ₁₀ [m ² /h]	I _A / I _N	IP	m [kg]
400D	50	-	0,66	1,52	880	-25 .. +60	304	3,1	IP 54	95

Sound Data:

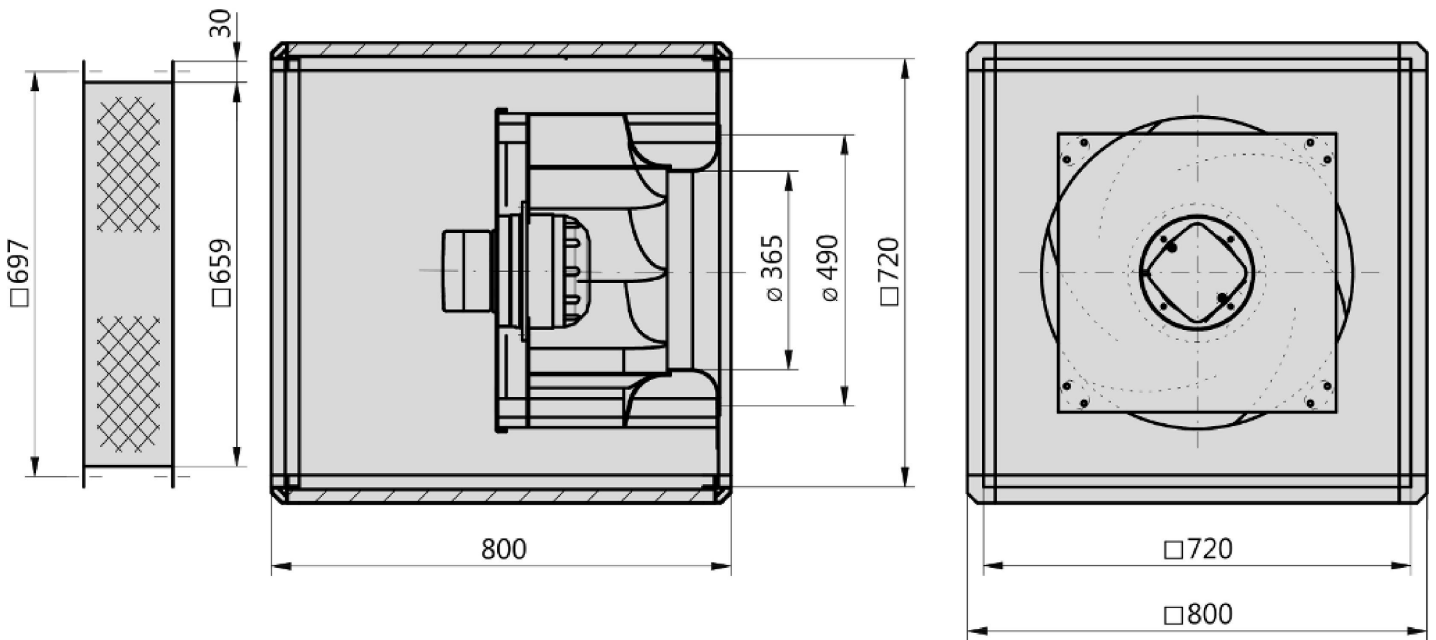
Frequency	Σ	125Hz	250Hz	500Hz	1kHz	2kHz	4kHz	8kHz	Distances	1 m	4 m
L _{WA(A,in)} [dB(A)]	65	-	51	59	61	58	54	49	L _{pA(A,in)} [dB(A)]	58	47
L _{WA(A,out)} [dB(A)]	69	-	59	63	64	62	59	52	L _{pA(A,out)} [dB(A)]	62	51
L _{WA(D,cas)} [dB(A)]	52	-	45	49	44	41	38	30	L _{pA(D,cas)} [dB(A)]	45	34

performance curve at radial air flow



Type: **UNOR 80-560-6D.6FA**

Part no.: F08-56024





Type: **UNOR 80-560-6D.6FA**

Part no.: F08-56024

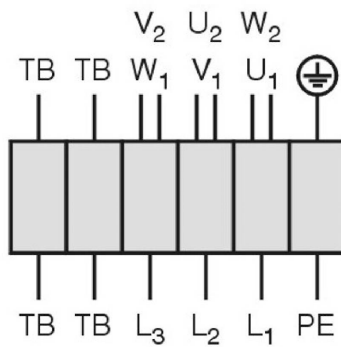


Drehstrommotor in Δ -Schaltung mit Thermostatschalter (TB).
Drehrichtungsänderung durch Vertauschen von 2 Phasen.

Three phase motor in delta connection with thermostatic switch (TB). Changing of rotation direction by interchanging of 2 phases.

Moteur triphasé branché en triangle avec interrupteur thermostatique (TB). Changement de sens de rotation par inversion de deux phases.

TK3-20004



U ₁	braun / brown / brun
V ₁	blau / blue / bleu
W ₁	schwarz / black / noir
U ₂	rot / red / rouge
V ₂	grau / grey / gris
W ₂	orange / orange / orange
TB	weiß / white / blanc
PE	gelb-grün yellow-green jaune-vert

01.006

Unobox

Boxfan with flexible outlet

The housing supporting frames are double chamber aluminium profiles with corners made of plastic and double skinned galvanized steel panels insulated with non-inflammable, noise and temperature insulating fiberglass mats. One side of the casing is open as standard. Wall thickness 20mm, $K=1,25 \text{ W/m}^2\text{K}$. As standard, the casing is open opposite to the inlet side. The removable side panels ensure highest possible flexibility of the air flow direction at the installation site. Impeller of the E-series (Revolution) made of black, UV-stabilized and long glass fibre reinforced Polypropylene (PP) with 7 backward curved, profiled blades and narrow efficiency optimized circumferential diffusor. Sound and weight optimized. Corrosion resistant and compact design. Air Flow orientated behaviour. Voltage controllable AC external rotor motor. Maintenance free ball bearings, closed on both sides with long-term lubrication. Motor coated black and/or die casted aluminum. Standard configuration with cable. Motor protection is guaranteed by thermal contacts, which are inlaid into the motor windings. These contacts protect the motor from being overloaded through phase failure, too high medium temperature or locked rotor. Isolation Class F. Motorized Impeller statically and dynamically balanced according to DIN ISO 21940 -11 at least with quality level G6.3. The electrical connection is mounted on the motor by a terminal box. Air volume control is possible by the use of an frequency converter (max. 50Hz) or a step transformer (accessory).

Fan complies with the guidelines required (Machinery -, EMC- and Low Voltage Directive) to comply with installation and conformity declaration as well as CE marking.

Operating Point Data:

Airflow

735 m³/h

ext. Pressure

248 Pa

Input power

0,247 kW

Current

0,95 A

Speed

762 r/min

Sound power level

69 Lw(A)

Nominal Data:

Voltage

400D V

Frequency

50 Hz

Input power

0,66 kW

Current

1,52 A

Speed

880 r/min

Medium temperature

60 °C

Protection Mode

IP 54

K-Factor

304
Weight
95 kg
Dimensions
800 mm / 800 mm / 800 mm

Contact:

Rosenberg Ventilatoren BV
Elandlaan 8
NL - 3734 CP Den Dolder
<http://www.rosenberg.nl>

Type:

UNOR 80-560-6D.6FA

Article-No.:

F08-56024