

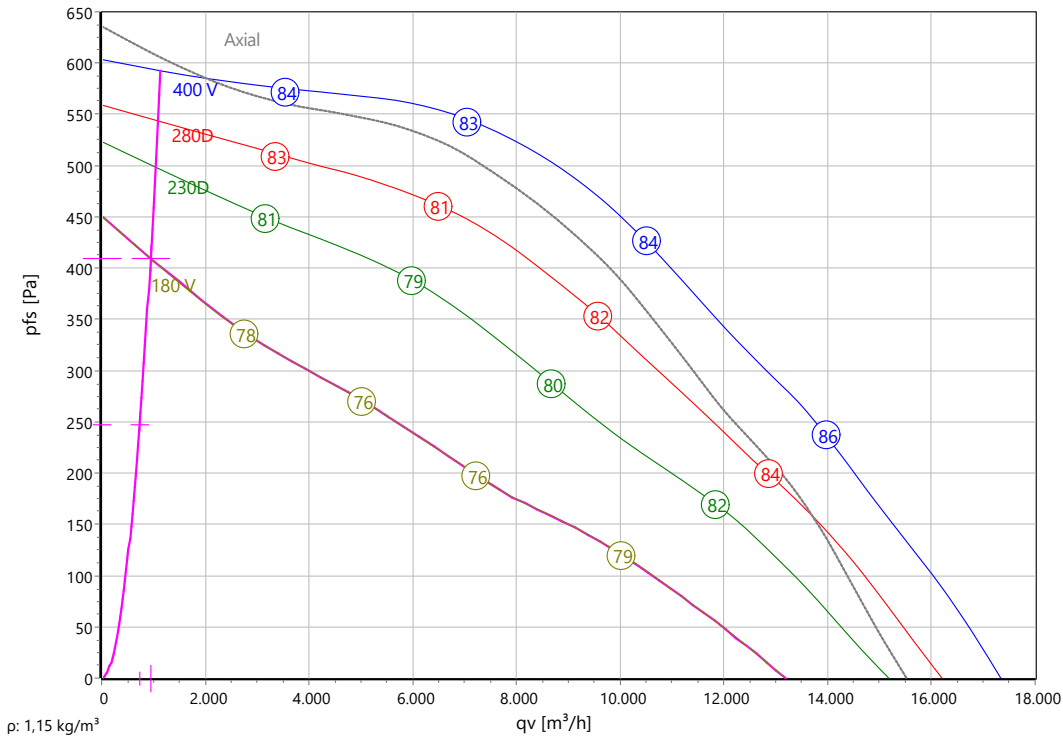


Type: **UNO 102-710-6D.7NA**

Part no.: F08-71015



Curve:



ErP-Data:

(EU) Nr. 1253/2014	(Lot6)
q _v	9316 m ³ /h
p _{fs}	480 Pa
η _{fs}	57,6 %
P _e	2,16 kW
n	927 r/min
N	53
v	1,60 m/s
η _{fs} Lot11	57,6 %

Operating Point:

q _v	945 m ³ /h
p _{fs}	410 Pa
p _{fd}	1 Pa
η _{e,fs}	13 %
η _{e,tot}	13 %
P _e	0,842 kW
I	3,5 A
n	801 r/min
L _{WA A,OUT}	80 dB(A)
U	180 V
v	0,162 m/s
SFP	3211 Ws/m ³
FEI	0,56

Set point:

q _v	735 m ³ /h	p _{fs}	248 Pa
----------------	-----------------------	-----------------	--------

Intersections:

Curve	q _v [m ³ /h]	p _{fs} [Pa]	P _e [kW]	I [A]	n _N [r/min]	L _{WA A,OUT} [dB(A)]
400 V	1136	593	1,216	3,69	963	84
280D	1088	544	1,06	3,14	923	83
230D	1042	499	0,999	3,29	883	82
180 V	944,9	410	0,842	3,5	801	80

Nominal Data:

U [V]	f [Hz]	C [μF]	P _e [kW]	I _N [A]	n _N [r/min]	t _r [°C]	k ₁₀ [m ² /h]	I _A / I _N	IP	m [kg]	ΔI 7,5 %
400D	50	-	2,17	4,79	930	-25 .. +70	305	4	IP 54	146	

Sound Data:

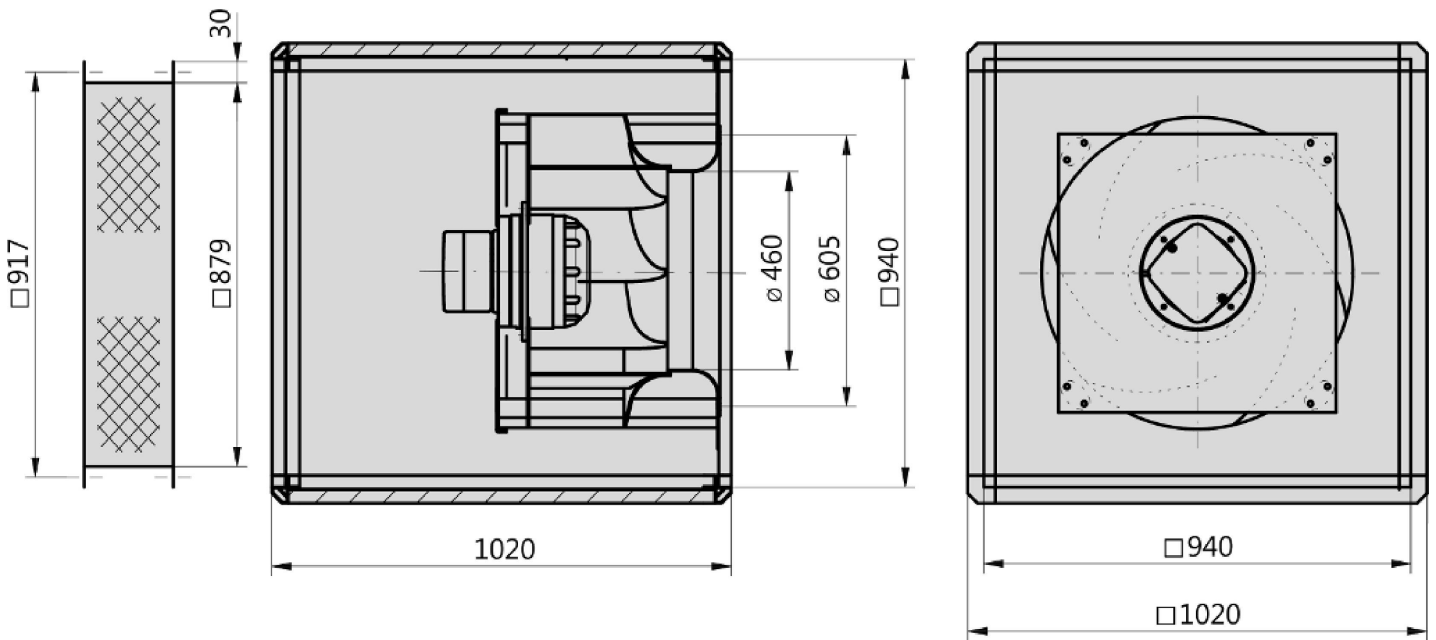
Frequency	Σ	63Hz	125Hz	250Hz	500Hz	1kHz	2kHz	4kHz	8kHz	Distances	1 m	4 m
L _{WA(A,in)} [dB(A)]	74	55	62	66	67	67	67	66	55	L _{pA(A,in)} [dB(A)]	67	56
L _{WA(A,out)} [dB(A)]	80	61	68	72	72	74	73	71	65	L _{pA(A,out)} [dB(A)]	73	62
L _{WA(D,cas)} [dB(A)]	64	45	61	60	51	49	44	38	32	L _{pA(D,cas)} [dB(A)]	57	46

performance curve at radial air flow



Type: **UNO 102-710-6D.7NA**

Part no.: F08-71015





Type: **UNO 102-710-6D.7NA**

Part no.: F08-71015

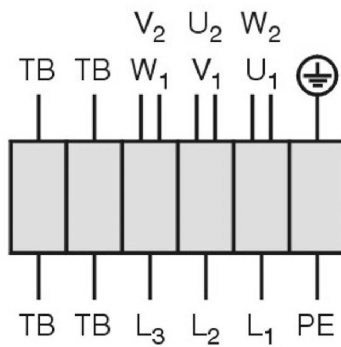


Drehstrommotor in Δ -Schaltung mit Thermostatschalter (TB).
Drehrichtungsänderung durch Vertauschen von 2 Phasen.

Three phase motor in delta connection with thermostatic switch (TB). Changing of rotation direction by interchanging of 2 phases.

Moteur triphasé branché en triangle avec interrupteur thermostatique (TB). Changement de sens de rotation par inversion de deux phases.

TK3-20004



U ₁	braun / brown / brun
V ₁	blau / blue / bleu
W ₁	schwarz / black / noir
U ₂	rot / red / rouge
V ₂	grau / grey / gris
W ₂	orange / orange / orange
TB	weiß / white / blanc
PE	gelb-grün yellow-green jaune-vert

01.006

Unobox

Boxfan with flexible outlet

The housing supporting frames are double chamber aluminium profiles with corners made of plastic and double skinned galvanized steel panels insulated with non-inflammable, noise and temperature insulating fiberglass mats. One side of the casing is open as standard. Wall thickness 20mm, $K=1,25 \text{ W/m}^2\text{K}$. As standard, the casing is open opposite to the inlet side. The removable side panels ensure highest possible flexibility of the air flow direction at the installation site. Impeller of the E-series (Revolution) made of Aluminum (AlMg3) with 7 backward curved, profiled blades and narrow efficiency optimized circumferential diffusor. Sound and weight optimized. Corrosion resistant and compact design. Air Flow orientated behaviour. Voltage controllable AC external rotor motor. Maintenance free ball bearings, closed on both sides with long-term lubrication. Motor coated black and/or die casted aluminum. Standard configuration with cable. Motor protection is guaranteed by thermal contacts, which are inlaid into the motor windings. These contacts protect the motor from being overloaded through phase failure, too high medium temperature or locked rotor. Isolation Class F. Motorized Impeller statically and dynamically balanced according to DIN ISO 21940 -11 at least with quality level G6.3. The electrical connection is mounted on the motor by a terminal box. Air volume control is possible by the use of an frequency converter (max. 50Hz) or a step transformer (accessory).

Fan complies with the guidelines required (Machinery -, EMC- and Low Voltage Directive) to comply with installation and conformity declaration as well as CE marking.

Operating Point Data:

Airflow

945 m³/h

ext. Pressure

410 Pa

Input power

0,842 kW

Current

3,5 A

Speed

801 r/min

Sound power level

80 Lw(A)

Nominal Data:

Voltage

400D V

Frequency

50 Hz

Input power

2,17 kW

Current

4,79 A

Speed

930 r/min

Medium temperature

70 °C

Protection Mode

IP 54

K-Factor

305

Weight

146 kg

Dimensions

1020 mm / 1020 mm / 1020 mm

Contact:

Rosenberg Ventilatoren BV

Elandlaan 8

NL - 3734 CP Den Dolder

<http://www.rosenberg.nl>

Type:

UNO 102-710-6D.7NA

Article-No.:

F08-71015