



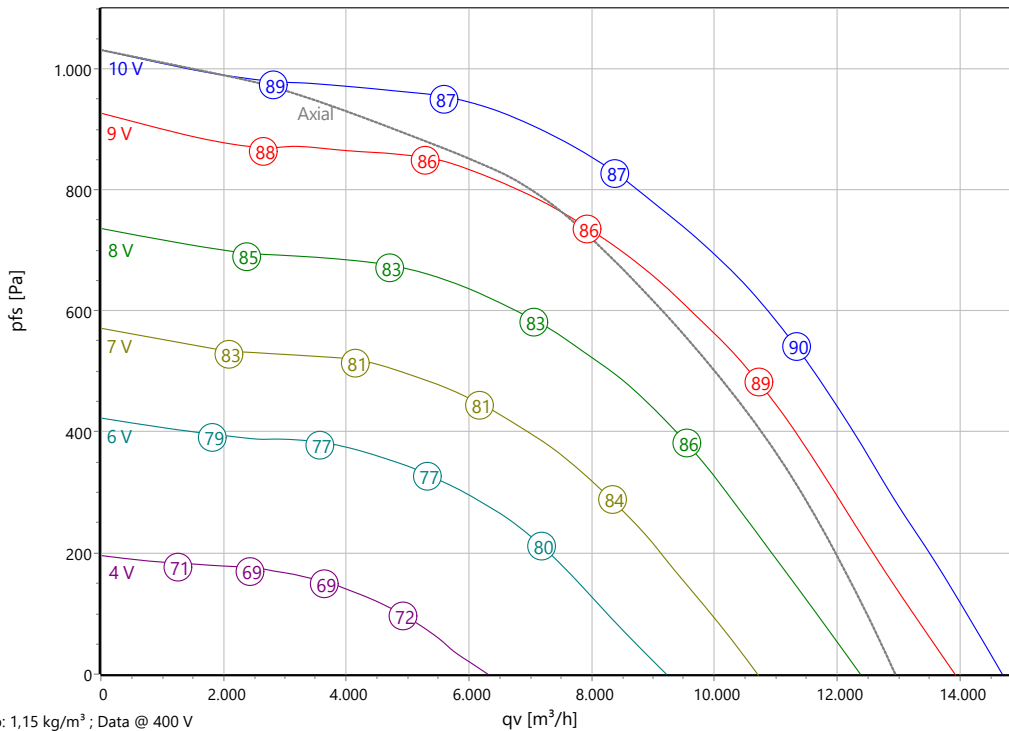
Type: **UNOR 80-560-G.6IF Gen3**

Open-loop control, 0-10 Volt

Part no.: F15-56017



Curve:



ErP-Data:

	(EU) Nr. 1253/2014	(Lot6)
q _v	8519	m³/h
p _{fs}	818	Pa
η _{fs}	62,8	%
P _{ed}	3,1	kW
n	1550	r/min
N	56	
v	22,5	m/s
η _{fs} Lot11	63,5	%

Nominal Data:

U [V]	f [Hz]	Data @ [V]	P _{ed} [kW]	I _N [A]	n _N [r/min]	t _R [°C]	k ₁₀ [m²s/h]	Eff.-Rating	IP	m [kg]
3~380-480	50/60	400	3,1	4,8	1550	-25 .. +50	310	IE5	IP 54	82

Sound Data:

Frequency	Σ		125Hz	250Hz	500Hz	1kHz	2kHz	4kHz	8kHz	Distances	1 m	4 m
LwA(A,in) [dB(A)]	-5	-	-21	-11	-10	-11	-15	-19	-24	LpA(A,in) [dB(A)]	-12	-22
LwA(A,out) [dB(A)]		-	-14	-7	-5	-5	-10	-17	-23	LpA(A,out) [dB(A)]	-7	-17
LwA(D,cas) [dB(A)]	-17	-	-23	-19	-28	-34	-36	-41	-51	LpA(D,cas) [dB(A)]	-24	-34

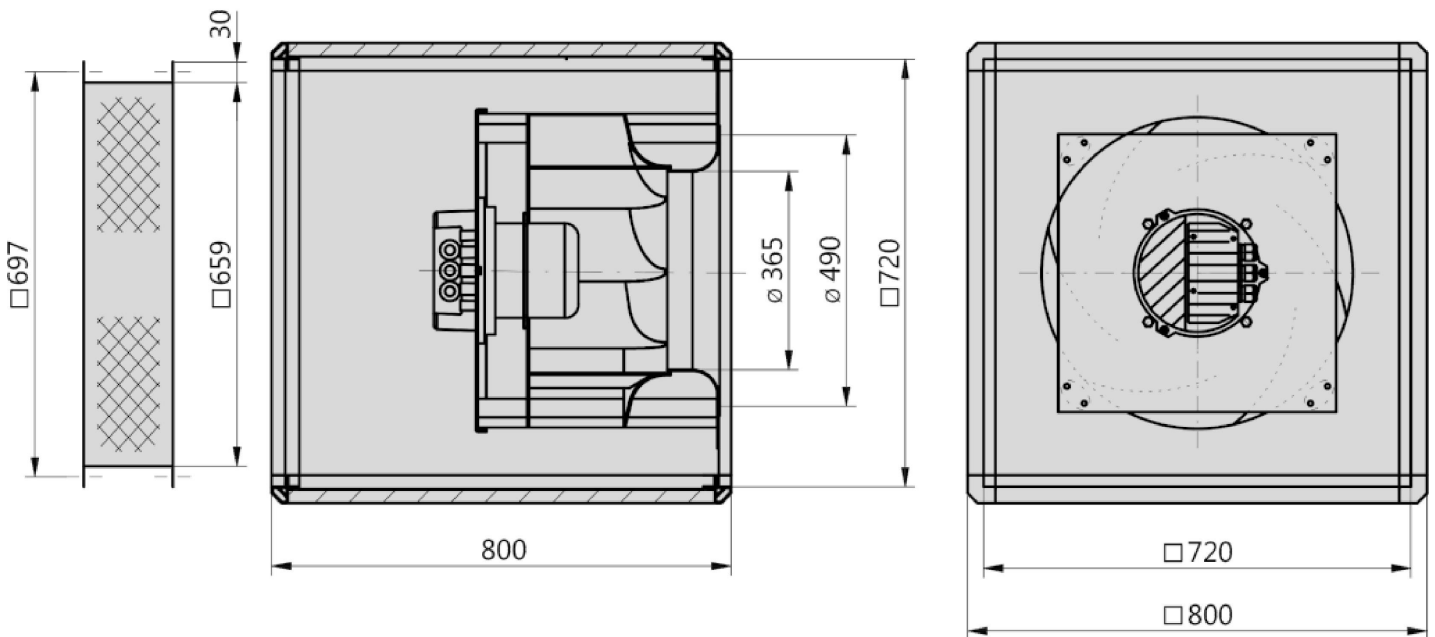
performance curve at radial air flow



Type: **UNOR 80-560-G.6IF Gen3**

Open-loop control, 0-10 Volt

Part no.: F15-56017

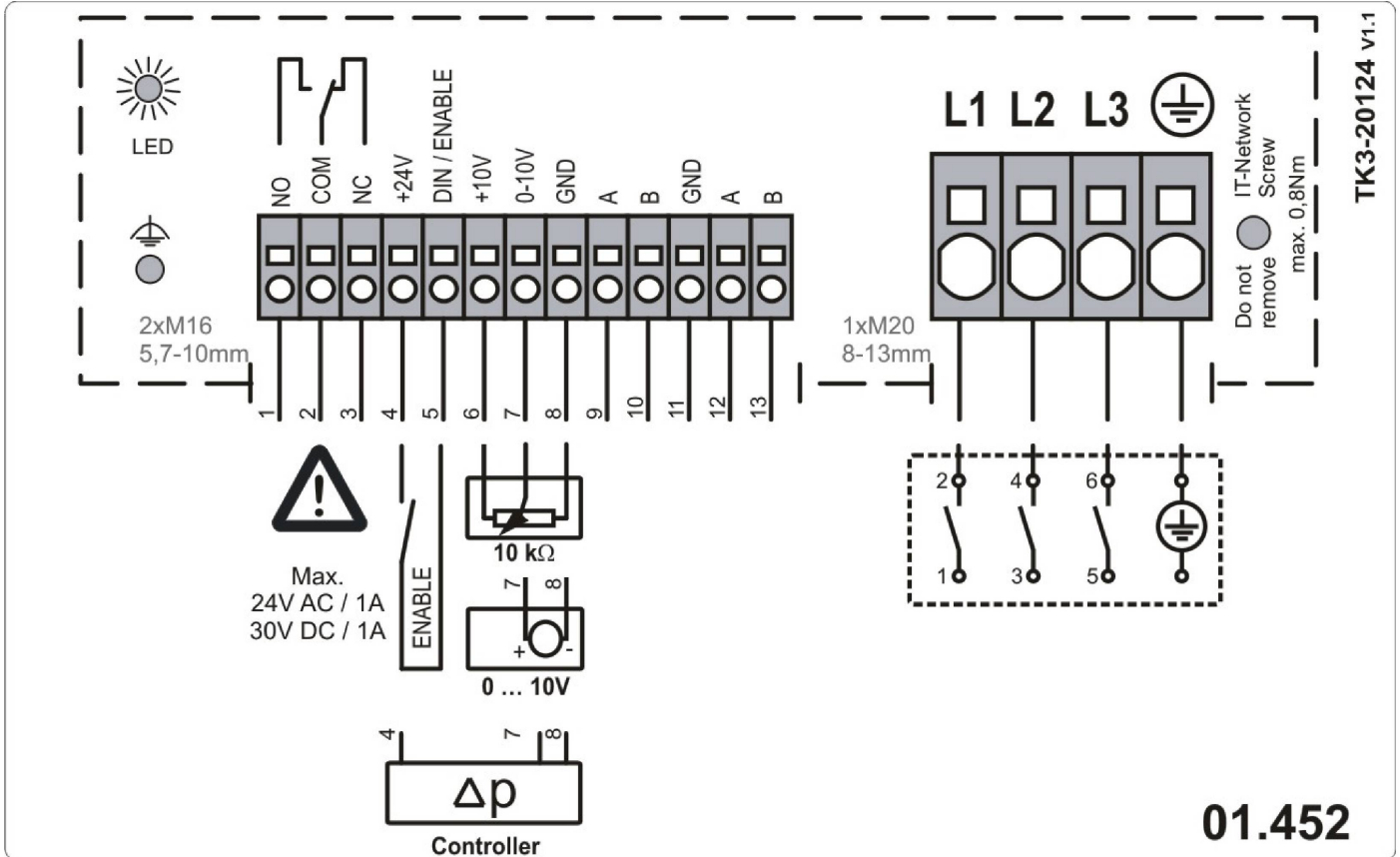




Type: **UNOR 80-560-G.6IF Gen3**

Open-loop control, 0-10 Volt

Part no.: F15-56017



Unobox

Boxfan with flexible outlet

The housing supporting frames are double chamber aluminium profiles with corners made of plastic and double skinned galvanized steel panels insulated with non-inflammable, noise and temperature insulating fiberglass mats. One side of the casing is open as standard. Wall thickness 20mm, $K=1,25 \text{ W/m}^2\text{K}$. As standard, the casing is open opposite to the inlet side. The removable side panels ensure highest possible flexibility of the air flow direction at the installation site. Impeller of the E-series (Revolution) made of black, UV-stabilized and long glass fibre reinforced Polypropylene (PP) with 7 backward curved, profiled blades and narrow efficiency optimized circumferential diffusor. Sound and weight optimized. Corrosion resistant and compact design. Air Flow orientated behaviour. Energy saving EC external-rotor motor of the 3rd generation. Exceeds in accordance with IEC 60034 -30-2 minimum requirements for IE5 (Ultra Premium Efficiency). Maintenance free ball bearings, closed on both sides with long-term lubrication. Magnets without rare earth elements. Motor made of die casted aluminum. Protection Class IP54 and insulation class F. Electronic with integrated terminal box and environmental resistant cable glands (2x M16 and 1x M20). Status LED integrated. 100% speed controllable with integrated Motor Protection and Soft Start. ModBus RTU Interface integrated. Busconfiguration possible on site by customer. Potential-free Alarm Contact and integrated 24V Supply for accessories. Applicable in all common energy grids and IT-Network. Low noise commutation. Motorized Impeller statically and dynamically balanced according to DIN ISO 21940-11 at least with quality level G6.3. Air volume control is possible over an 0-10V Signal (accessory).

Fan complies with the guidelines required (Machinery -, EMC- and Low Voltage Directive) to comply with installation and conformity declaration as well as CE marking.

Nominal Data:

Voltage

3~380-480 V

Frequency

50/60 Hz

Input power

3,1 kW

Current

4,8 A

Speed

1550 r/min

Medium temperature

50 °C

Protection Mode

IP 54

Efficiency Class

IE5

K-Factor

310

Weight

82 kg

Dimensions

800 mm / 800 mm / 800 mm

Contact:

Rosenberg Ventilatoren BV

Elandlaan 8
NL - 3734 CP Den Dolder
<http://www.rosenberg.nl>

Type:
UNOR 80-560-G.6IF Gen3
Article-No.:
F15-56017
