

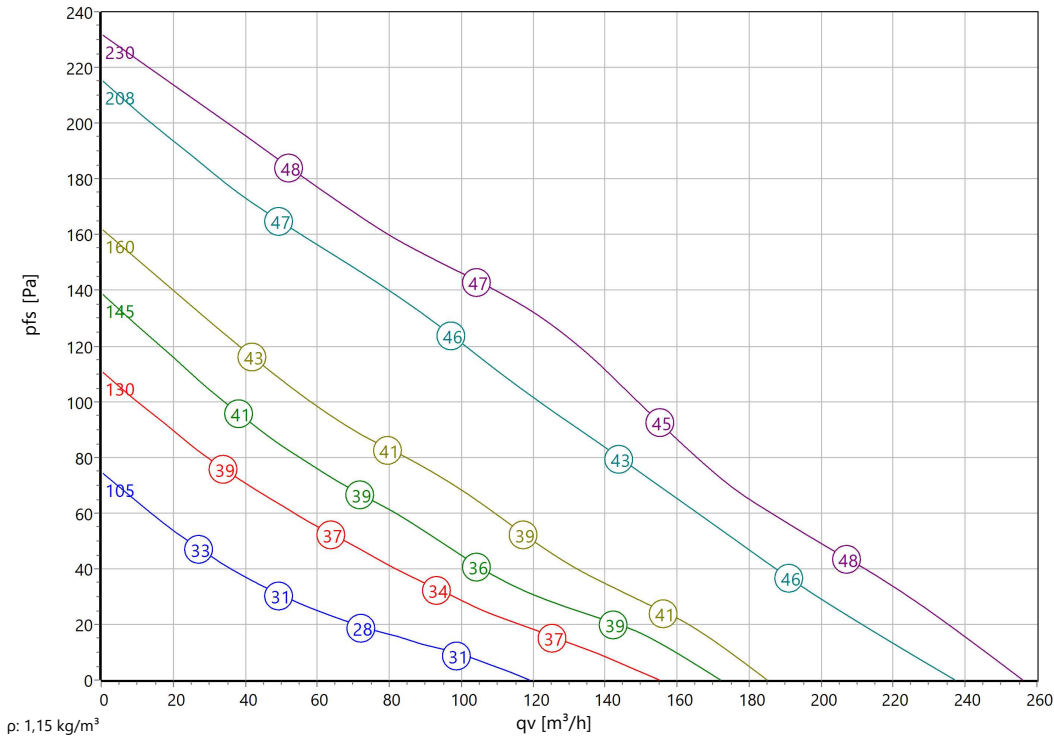


Type: **Z 125.2CA R1**

Part no.: F05-12512



**Curve:**



**Nominal Data:**

U [V]	f [Hz]	C [µF]	Pe [kW]	IN [A]	nN [r/min]	tR [°C]	k10 [m²s/h]	IA / IN	IP	m [kg]
1~230	50	1	0,029	0,14	1980	-25 .. +70	-	1,1	IP 44	13

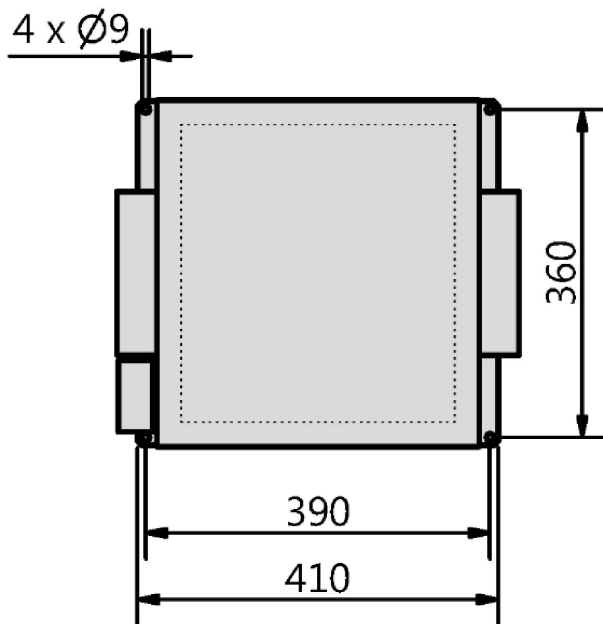
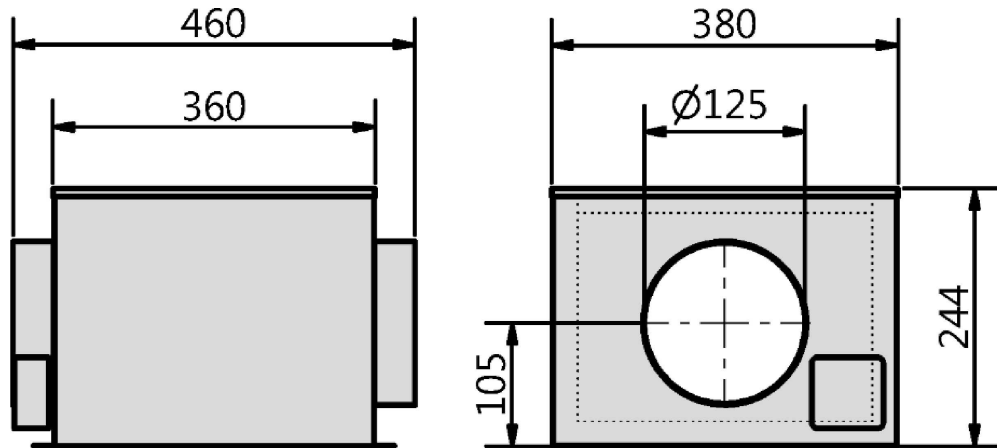
**Sound Data:**

Frequency	Σ	125Hz	250Hz	500Hz	1kHz	2kHz	4kHz	8kHz	Distances	1 m	5 m
LwA(D,in) [dB(A)]		-12	-5	-6	-8	-8	-14	-21	LpA(D,in) [dB(A)]	-7	-18
LwA(D,out) [dB(A)]	5	-8	-3	-2	-1	-1	-6	-15	LpA(D,out) [dB(A)]	-2	-13
LwA(D,cas) [dB(A)]	-9	-18	-12	-15	-23	-26	-27	-28	LpA(D,cas) [dB(A)]	-16	-27



Type: **Z 125.2CA R1**

Part no.: F05-12512





Type: **Z 125.2CA R1**  
 Part no.: F05-12512

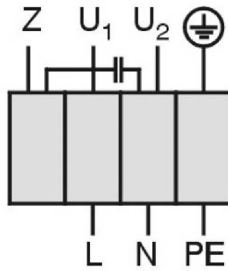


Einphasenwechselstrommotor mit Betriebskondensator und Thermostatschalter.  
 Thermostatschalter intern mit der Wicklung in Reihe geschaltet.

Single phase A.C. motor with operating capacitor and thermostatic switch.  
 Thermostatic switch internal wired in series with windings.

*Moteur monophasé avec condensateur permanent et interrupteur  
 thermostatique en série avec le bobinage en cas de branchement*

TK3-20005



U<sub>1</sub> blau / blue / bleu  
 U<sub>2</sub> schwarz / black / noir  
 Z braun / brown / brun  
 PE gelb-grün  
 yellow-green  
 jaun-vert

01.009

### Zerobox "REVOLUTION"

Tube fan with sound-insulated housing

The flat casing made of galvanized sheet steel as sound absorbing construction. The inlayed 40mm thick rockwool plates have a sound attenuating effect. The covering lid can easily be unscrewed to gain access for cleaning and maintenance. The motor is removable together with the impeller and spiral scroll. Inlet and outlet side with duct connection for standard round ducts. Mounting either with horizontal or vertical motor shaft. Impeller of the E-series (Revolution) made of black, UV-stabilized and long glass fibre reinforced Polypropylene (PP) with 7 backward curved, profiled blades and narrow efficiency optimized circumferential diffusor. Sound and weight optimized. Corrosion resistant and compact design. Air Flow orientated behaviour. Direct-driven single-phase alternating current motor and three-phase motor with class F insulation system. For single-phase motors, motor protection is provided by thermal contacts built into the winding and connected in series. Three-phase motors have no internal protection system and must be connected to an external protection system. When using an electronic voltage control unit or a frequency converter, a sine filter must be used. Maintenance-free ball bearings, closed on both sides, with long-term lubrication. Motorized Impeller statically and dynamically balanced according to DIN ISO 21940-11 with quality level G2.5. The electrical connection is mounted on the housing by a terminal box. Air volume control: possible by the use of an electronic speed controller or a step transformer (accessory).

Fan complies with the guidelines required (Machinery-, EMC- and Low Voltage Directive) to comply with installation and conformity declaration as well as CE marking.

### Nominal Data:

Voltage  
1~230 V  
Frequency  
50 Hz  
Input power  
0,029 kW  
Current  
0,14 A  
Speed  
1980 r/min  
Medium temperature  
70 °C  
Protection Mode  
IP 44  
Weight  
13 kg  
Dimensions  
460 mm / 360 mm / 244 mm

### Contact:

Rosenberg Ventilatoren BV  
Elandlaan 8  
NL - 3734 CP Den Dolder  
[www.rosenberg.nl](http://www.rosenberg.nl)

### Type:

Z 125.2CA R1

**Article-No.:**

F05-12512

---