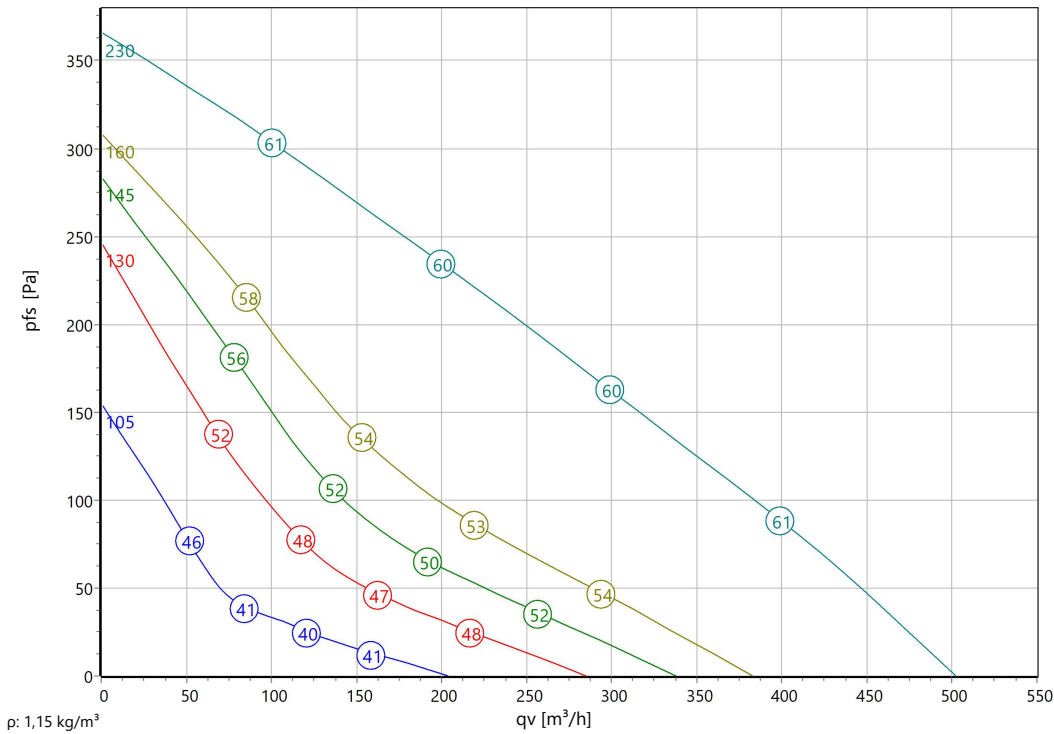




Type: **Z 160.3CA R2**
 Part no.: F05-16013



Curve:



ErP-Data:

(EU) Nr. 1253/2014	(Lot6)
qV	266 m ³ /h
pfs	197 Pa
η fs	24,7 %
Pe	0,06 kW
n	2474 r/min
N	42
v	3,68 m/s

Nominal Data:

U [V]	f [Hz]	C [μ F]	Pe [kW]	IN [A]	nN [r/min]	tR [°C]	k10 [m ² /h]	IA / IN	IP	m [kg]
1~230	50	2	0,06	0,26	2465	-25 .. +70	-	1,1	IP 44	14

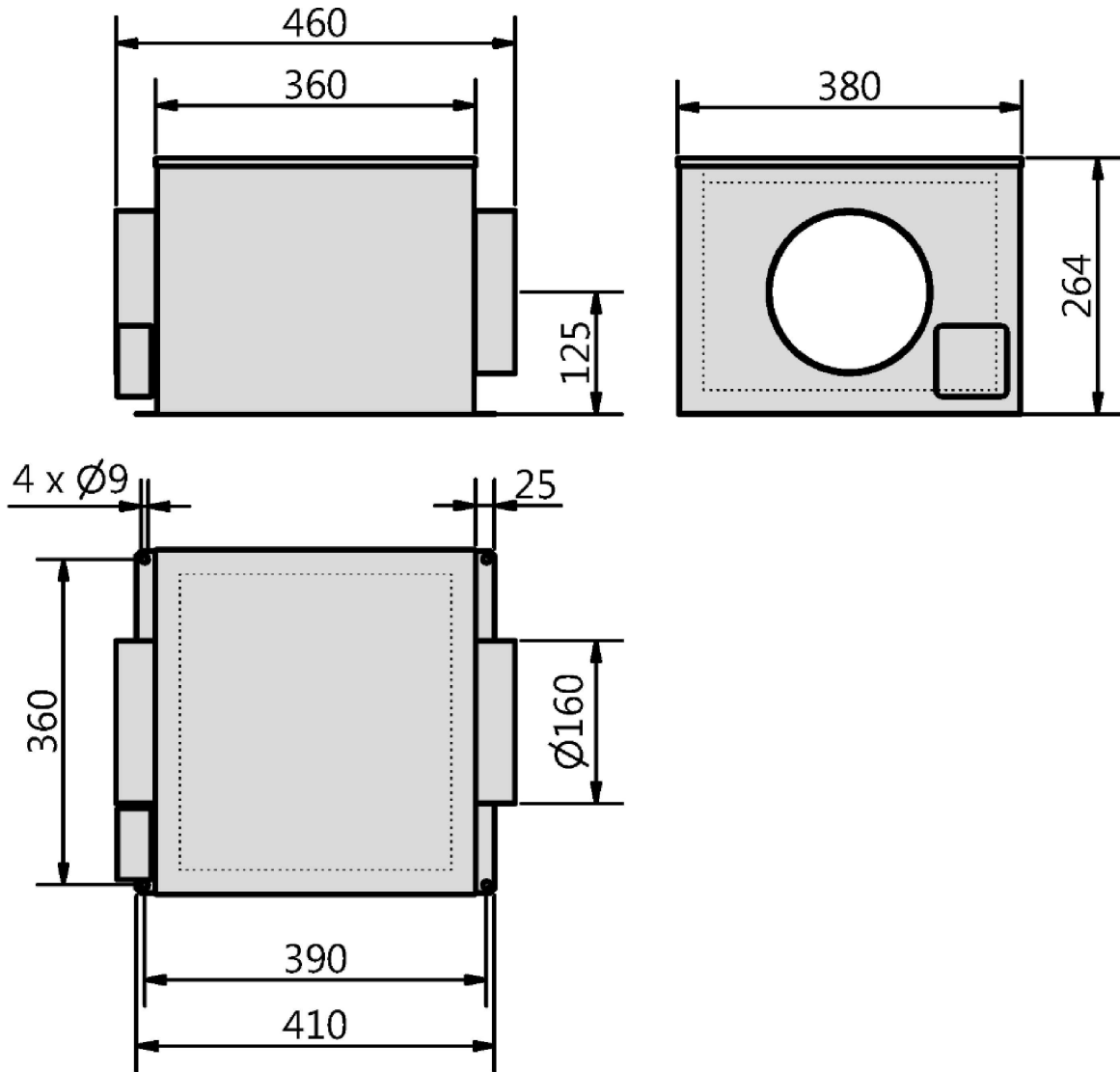
Sound Data:

Frequency	Σ	125Hz	250Hz	500Hz	1kHz	2kHz	4kHz	8kHz	Distances	1 m	5 m
LwA(D,in) [dB(A)]		-12	-4	-9	-9	-9	-9	-14	LpA(D,in) [dB(A)]	-7	-18
LwA(D,out) [dB(A)]	6	-13	2	-1	-2	-2	-6	-14	LpA(D,out) [dB(A)]	-1	-12
LwA(D,cas) [dB(A)]	-11	-19	-13	-19	-26	-31	-38	-41	LpA(D,cas) [dB(A)]	-18	-29



Type: **Z 160.3CA R2**

Part no.: F05-16013





Type: **Z 160.3CA R2**
 Part no.: F05-16013

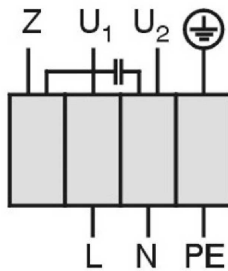


Einphasenwechselstrommotor mit Betriebskondensator und Thermostatschalter.
 Thermostatschalter intern mit der Wicklung in Reihe geschaltet.

Single phase A.C. motor with operating capacitor and thermostatic switch.
Thermostatic switch internal wired in series with windings.

Moteur monophasé avec condensateur permanent et interrupteur
thermostatique en série avec le bobinage en cas de branchement

TK3-20005



U₁ blau / blue / bleu
 U₂ schwarz / black / noir
 Z braun / brown / brun
 PE gelb-grün
 yellow-green
 jaun-vert

01.009

Zerobox "REVOLUTION"

Tube fan with sound-insulated housing

The flat casing made of galvanized sheet steel as sound absorbing construction. The inlaid 40mm thick rockwool plates have a sound attenuating effect. The covering lid can easily be unscrewed to gain access for cleaning and maintenance. The motor is removable together with the impeller and spiral scroll. Inlet and outlet side with duct connection for standard round ducts. Mounting either with horizontal or vertical motor shaft. Impeller of the E-series (Revolution) made of black, UV-stabilized and long glass fibre reinforced Polypropylene (PP) with 7 backward curved, profiled blades and narrow efficiency optimized circumferential diffusor. Sound and weight optimized. Corrosion resistant and compact design. Air Flow orientated behaviour. Direct-driven single-phase alternating current motor and three-phase motor with class F insulation system. For single-phase motors, motor protection is provided by thermal contacts built into the winding and connected in series. Three-phase motors have no internal protection system and must be connected to an external protection system. When using an electronic voltage control unit or a frequency converter, a sine filter must be used. Maintenance-free ball bearings, closed on both sides, with long-term lubrication. Motorized Impeller statically and dynamically balanced according to DIN ISO 21940-11 with quality level G2.5. The electrical connection is mounted on the housing by a terminal box. Air volume control: possible by the use of an electronic speed controller or a step transformer (accessory).

Fan complies with the guidelines required (Machinery-, EMC- and Low Voltage Directive) to comply with installation and conformity declaration as well as CE marking.

Nominal Data:

Voltage
1~230 V
Frequency
50 Hz
Input power
0,06 kW
Current
0,26 A
Speed
2465 r/min
Medium temperature
70 °C
Protection Mode
IP 44
Weight
14 kg
Dimensions
460 mm / 380 mm / 264 mm

Contact:

Rosenberg Ventilatoren BV
Elandlaan 8
NL - 3734 CP Den Dolder
www.rosenberg.nl

Type:

Z 160.3CA R2

Article-No.:

F05-16013
