

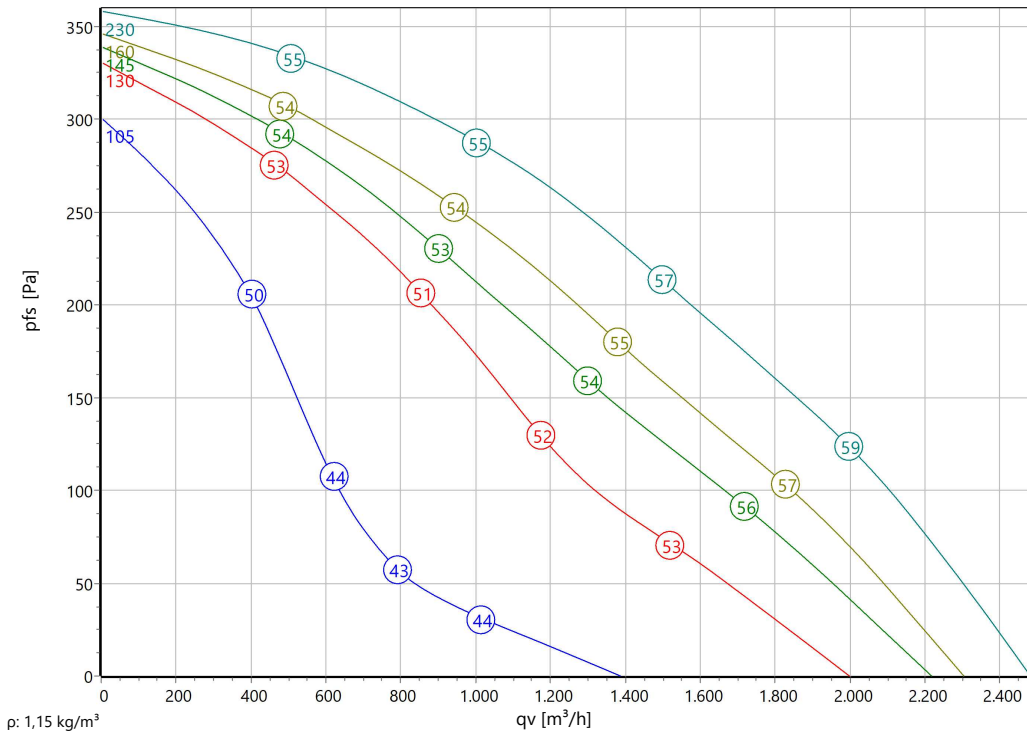


Type: **Z 355.5FA R1**

Part no.: F05-35513



**Curve:**



**ErP-Data:**

(EU) Nr. 1253/2014	(Lot6)	
qV	1217	m³/h
pfs	272	Pa
ηfs	33,9	%
Pe	0,27	kW
n	1420	r/min
N	42	
v	3,42	m/s
ηfs Lot11	40,2	%

**Nominal Data:**

U [V]	f [Hz]	C [μF]	Pe [kW]	IN [A]	nN [r/min]	tR [°C]	k10 [m²s/h]	IA / IN	IP	m [kg]
1~230	50	6	0,29	1,4	1410	-25 .. +60	-	3,3	IP 44	26

ΔI 39 %

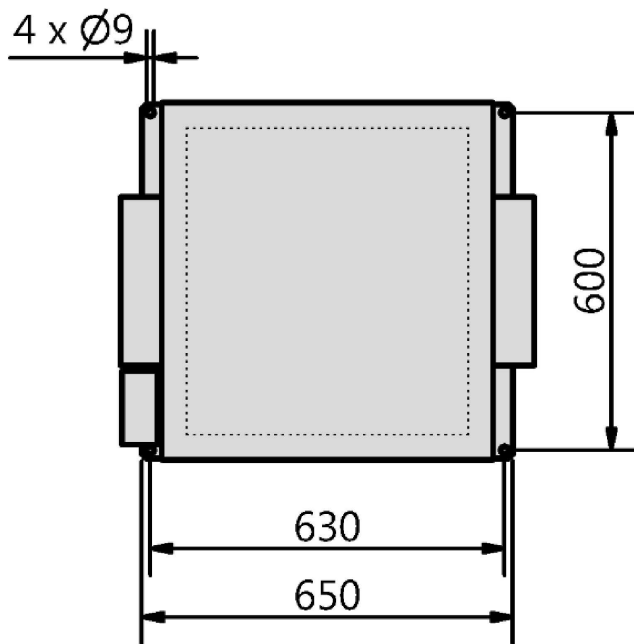
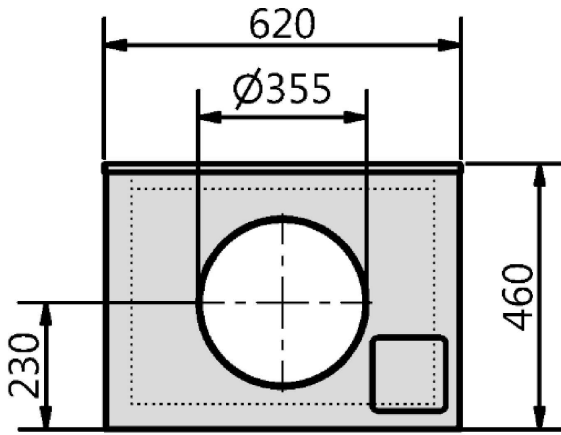
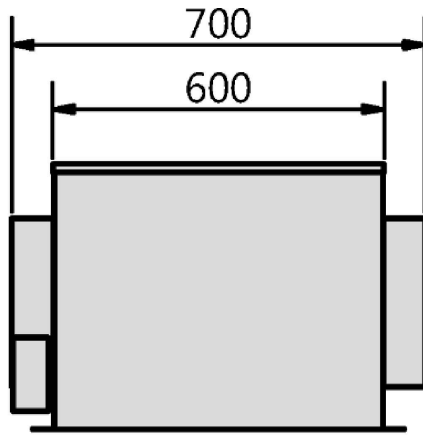
**Sound Data:**

Frequency	Σ	125Hz	250Hz	500Hz	1kHz	2kHz	4kHz	8kHz	Distances	1 m	5 m
LwA(D,in) [dB(A)]		-3	-6	-11	-11	-13	-17	-22	LpA(D,in) [dB(A)]	-7	-18
LwA(D,out) [dB(A)]	5	-1	-1	-2	-3	-5	-10	-17	LpA(D,out) [dB(A)]	-2	-13
LwA(D,cas) [dB(A)]	-6	-9	-10	-19	-21	-31	-35	-37	LpA(D,cas) [dB(A)]	-13	-24



Type: **Z 355.5FA R1**

Part no.: F05-35513





Type: **Z 355.5FA R1**  
 Part no.: F05-35513

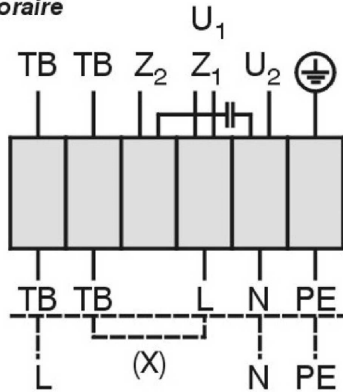


Einphasenwechselstrommotor mit Betriebskondensator und Thermostatschalter. Bei Verwendung von RE Steuergeräten TB mit der Wicklung in Reihe schalten. Hierfür Brücke (x) einlegen und gestrichelt gezeichnete Anschlüsse belegen.

**Single phase A.C. motor with operating capacitor and thermostatic switch. Thermostatic switch wired in series with windings if RE controllers are used. Insert bridge (x) and wire connections shown as dash-line on the drawing.**

**Moteur monophasé avec condensateur permanent et interrupteur thermostatique branché en série avec le bobinage en cas de branchement avec des régulateurs RE. Mettre un pont (x) et brancher toutes les connexions dessinées en hachuré.**

Rechtslauf  
 clockwise  
 rotation horaire



- U<sub>1</sub> braun / brown / brun
- U<sub>2</sub> blau / blue / bleu
- Z<sub>1</sub> schwarz / black / noir
- Z<sub>2</sub> orange / orange / orange
- TB weiß / white / blanc
- PE gelb-grün / yellow-green / jaune-vert

01.024

TK3-20010

### Zerobox "REVOLUTION"

Tube fan with sound-insulated housing

The flat casing made of galvanized sheet steel as sound absorbing construction. The inlayed 40mm thick rockwool plates have a sound attenuating effect. The covering lid can easily be unscrewed to gain access for cleaning and maintenance. The motor is removable together with the impeller and spiral scroll. Inlet and outlet side with duct connection for standard round ducts. Mounting either with horizontal or vertical motor shaft. Impeller of the E-series (Revolution) made of black, UV-stabilized and long glass fibre reinforced Polypropylene (PP) with 7 backward curved, profiled blades and narrow efficiency optimized circumferential diffusor. Sound and weight optimized. Corrosion resistant and compact design. Air Flow orientated behaviour. Voltage controllable AC external rotor motor. Maintenance free ball bearings, closed on both sides with long-term lubrication. Motor coated black and/or die casted aluminum. Standard configuration with cable. Motor protection is guaranteed by thermal contacts, which are inlaid into the motor windings. These contacts protect the motor from being overloaded through phase failure, too high medium temperature or locked rotor. Isolation Class F. Motorized Impeller statically and dynamically balanced according to DIN ISO 21940-11 at least with quality level G6.3. The electrical connection is mounted on the housing by a terminal box. Air volume control: possible by the use of an electronic speed controller or a step transformer (accessory).

Fan complies with the guidelines required (Machinery-, EMC- and Low Voltage Directive) to comply with installation and conformity declaration as well as CE marking.

### Nominal Data:

Voltage

1~230 V

Frequency

50 Hz

Input power

0,29 kW

Current

1,4 A

Speed

1410 r/min

Medium temperature

60 °C

Protection Mode

IP 44

Weight

26 kg

Dimensions

700 mm / 620 mm / 460 mm

### Contact:

Rosenberg Ventilatoren BV

Elandlaan 8

NL - 3734 CP Den Dolder

[www.rosenberg.nl](http://www.rosenberg.nl)

### Type:

Z 355.5FA R1

### Article-No.:

F05-35513

---