

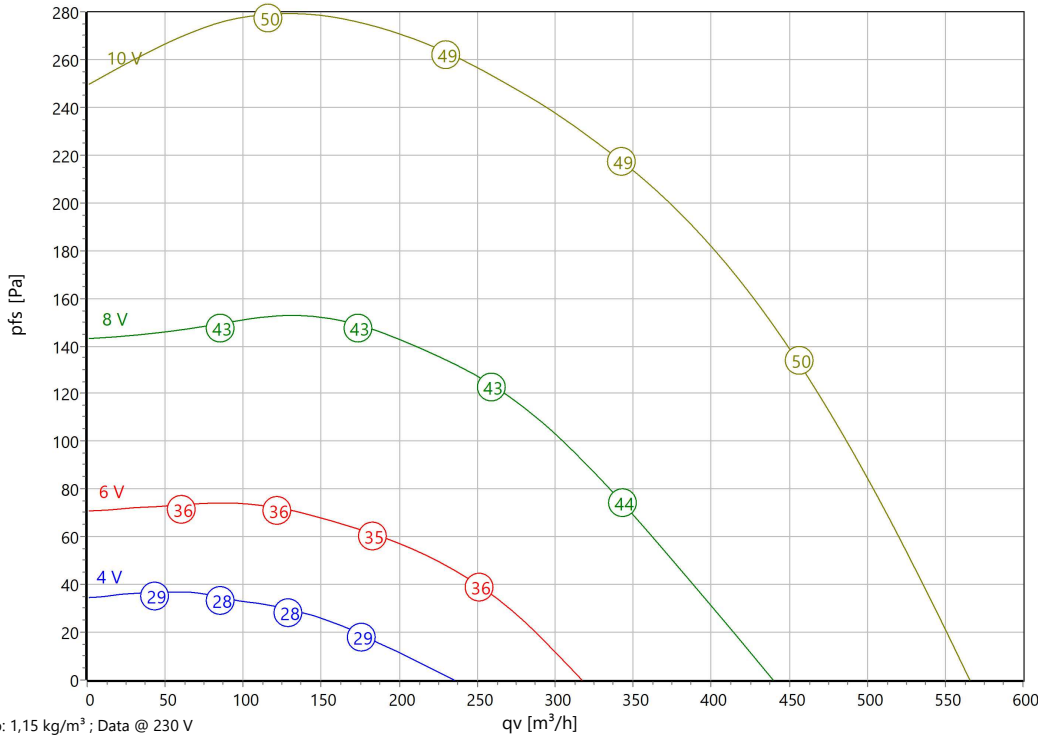


Type: **Z 160 G.3BK E1**

Part no.: F05-16017



Curve:



ErP-Data:

	(EU) Nr. 1253/2014	(Lot6)
qV	280	m³/h
pfs	256	Pa
ηfs	29,1	%
Ped	0,068	kW
n	2500	r/min
N	46	
v	3,89	m/s

Nominal Data:

U [V]	f [Hz]	Data @ [V]	Ped [kW]	IN [A]	nN [r/min]	tR [°C]	k10 [m²s/h]	IA / IN	IP	m [kg]
1~200-240	50/60	230	0,12	0,81	2400	-20 .. +50	-	-	IP 44	9,4

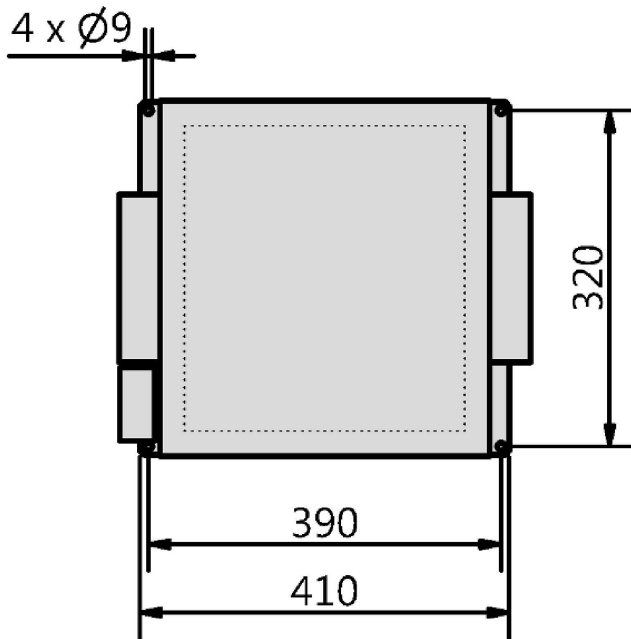
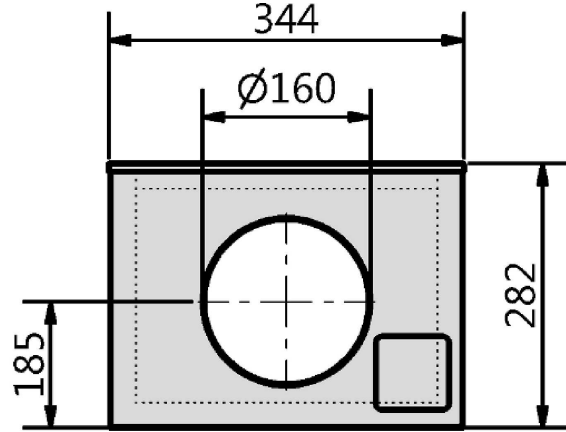
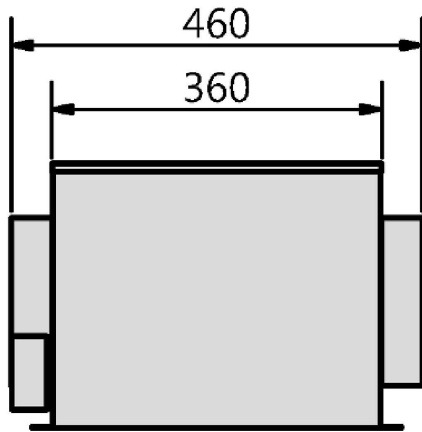
Sound Data:

Frequency	Σ	125Hz	250Hz	500Hz	1kHz	2kHz	4kHz	8kHz	Distances	1 m	5 m
LwA(D,in) [dB(A)]		-8	-6	-7	-8	-9	-11	-16	LpA(D,in) [dB(A)]	-7	-18
LwA(D,out) [dB(A)]	21	-2	7	10	16	17	12	6	LpA(D,out) [dB(A)]	14	2
LwA(D,cas) [dB(A)]	-3	-7	-9	-12	-13	-14	-18	-24	LpA(D,cas) [dB(A)]	-10	-21



Type: **Z 160 G.3BK E1**

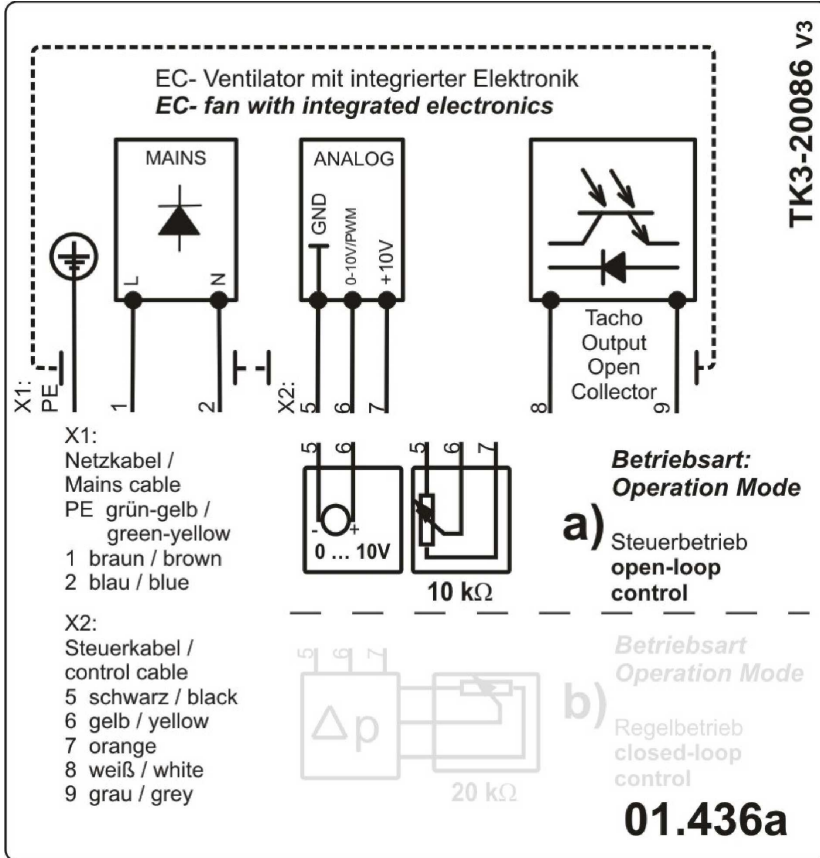
Part no.: F05-16017





Type: **Z 160 G.3BK E1**

Part no.: F05-16017



Zerobox "Evolution"

Tube fans with sound-insulated housing

The flat casing made of galvanized sheet steel as sound absorbing construction. The inlaid 40mm thick rockwool plates have a sound attenuating effect. The covering lid can easily be unscrewed to gain access for cleaning and maintenance. The motor is removable together with the impeller and spiral scroll. Inlet and outlet side with duct connection for standard round ducts. Mounting either with horizontal or vertical motor shaft. Double inlet impeller made of galvanized steel sheet with forward curved blades. Due to the high number of blades results in a sound optimized and at the same time compact design. Energy saving EC external-rotor motor. Maintenance free ball bearings, closed on both sides with long-term lubrication. Motor coated black and/or electrogalvanized. Cable for supply and controlling connection. 100% speed controllable with integrated Motor Protection. Soft Start. Applicable in all common energy grids. Motorized Impeller statically and dynamically balanced according to DIN ISO 21940-11 with quality level G2.5. The electrical connection is mounted on the housing by a terminal box. Air volume control is possible over an 0-10V Signal (accessory).

Fan complies with the guidelines required (Machinery-, EMC- and Low Voltage Directive) to comply with installation and conformity declaration as well as CE marking.

Nominal Data:

Voltage

1~200-240 V

Frequency

50/60 Hz

Input power

0,12 kW

Current

0,81 A

Speed

2400 r/min

Medium temperature

50 °C

Protection Mode

IP 44

Weight

9,4 kg

Dimensions

460 mm / 344 mm / 282 mm

Contact:

Rosenberg Ventilatoren BV

Elandlaan 8

NL - 3734 CP Den Dolder

www.rosenberg.nl

Type:

Z 160 G.3BK E1

Article-No.:

F05-16017

