

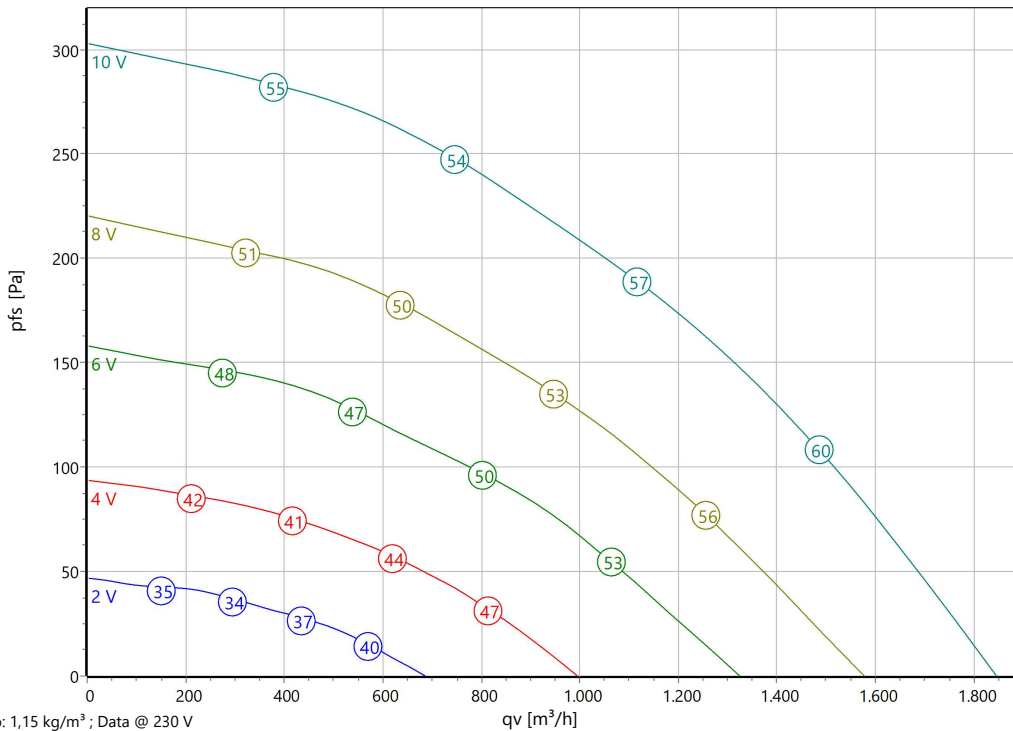


Type: **Z 315 G.3DI R**

Part no.: F05-31514



**Curve:**



p: 1,15 kg/m³ ; Data @ 230 V

**ErP-Data:**

(EU) Nr. 1253/2014	(Lot6)	
qV	1019	m³/h
pfs	214	Pa
ηfs	38,7	%
Ped	0,16	kW
n	1540	r/min
N	50	
v	3,63	m/s
ηfs Lot11	61,7	%

**Nominal Data:**

U [V]	f [Hz]	Data @ [V]	Ped [kW]	IN [A]	nN [r/min]	tR [°C]	k10 [m²s/h]	IA / IN	IP	m [kg]
1~200-277	50/60	230	0,165	0,75	1540	-20 .. +50	-	-	IP 44	28,7

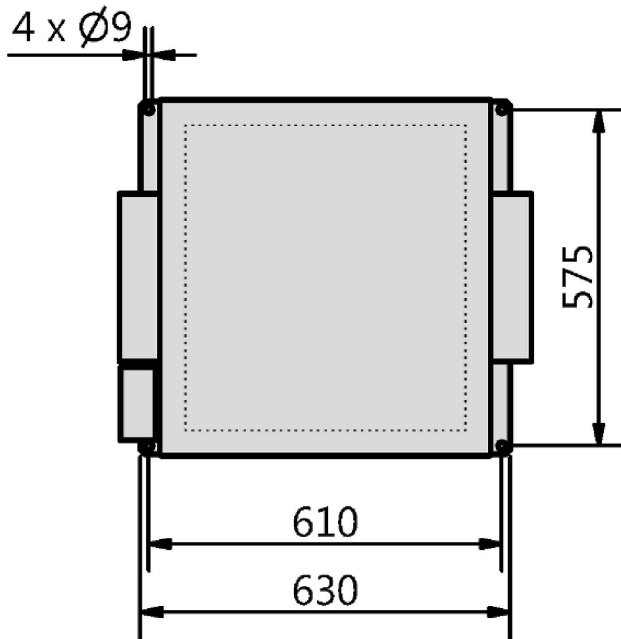
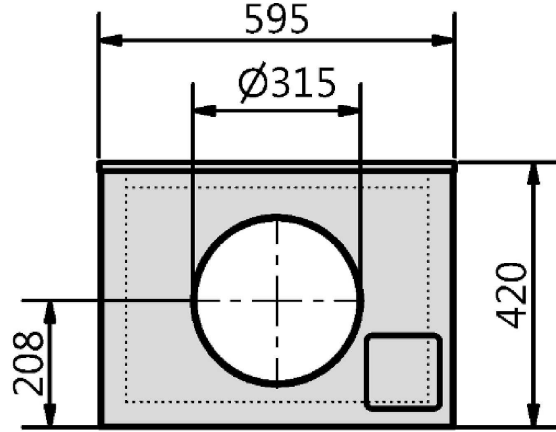
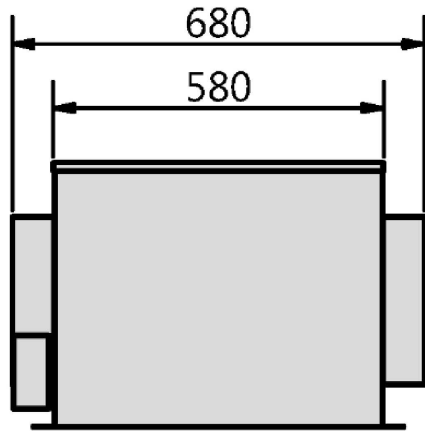
**Sound Data:**

Frequency	Σ	125Hz	250Hz	500Hz	1kHz	2kHz	4kHz	8kHz	Distances	1 m	5 m
LwA(D,in) [dB(A)]		-5	-4	-10	-11	-11	-18	-26	LpA(D,in) [dB(A)]	-7	-18
LwA(D,out) [dB(A)]	5	-4	0	-2	-2	-4	-11	-21	LpA(D,out) [dB(A)]	-2	-13
LwA(D,cas) [dB(A)]	-9	-13	-13	-17	-29	-35	-36	-37	LpA(D,cas) [dB(A)]	-16	-27



Type: **Z 315 G.3DI R**

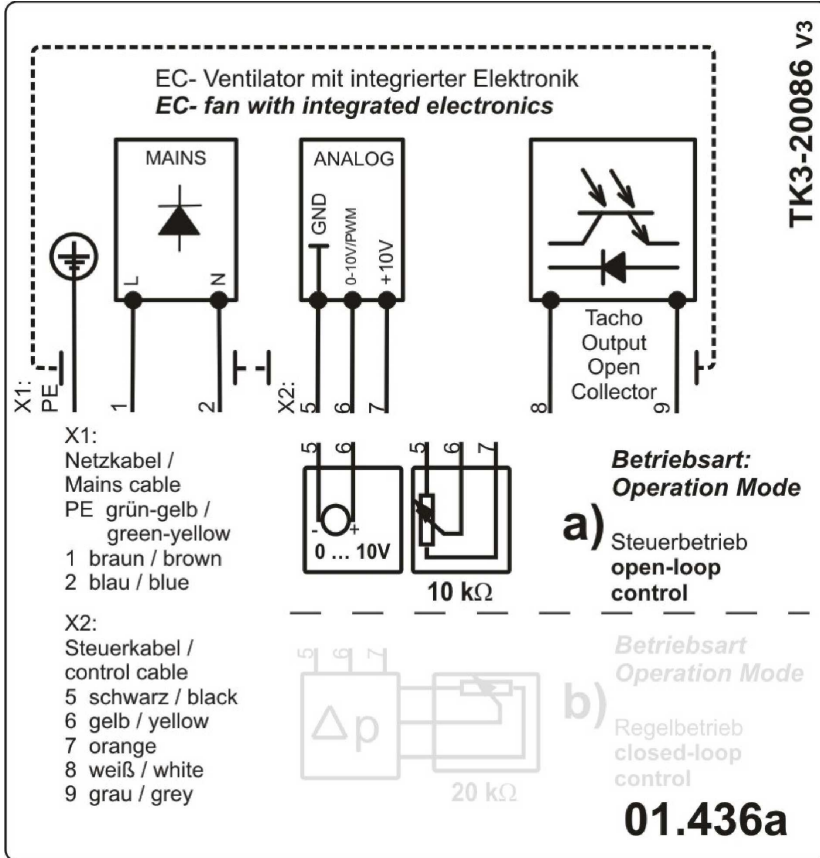
Part no.: F05-31514





Type: **Z 315 G.3DI R**

Part no.: F05-31514



### Zerobox "REVOLUTION"

Tube fan with sound-insulated housing

The flat casing made of galvanized sheet steel as sound absorbing construction. The inlayed 40mm thick rockwool plates have a sound attenuating effect. The covering lid can easily be unscrewed to gain access for cleaning and maintenance. The motor is removable together with the impeller and spiral scroll. Inlet and outlet side with duct connection for standard round ducts. Mounting either with horizontal or vertical motor shaft. Impeller of the E-series (Revolution) made of black, UV-stabilized and long glass fibre reinforced Polypropylene (PP) with 7 backward curved, profiled blades and narrow efficiency optimized circumferential diffusor. Sound and weight optimized. Corrosion resistant and compact design. Air Flow orientated behaviour. Energy saving EC external-rotor motor. Maintenance free ball bearings, closed on both sides with long-term lubrication. Motor coated black and/or electrogalvanized. Cable for supply and controlling connection. 100% speed controllable with integrated Motor Protection. Soft Start. Applicable in all common energy grids. Motorized Impeller statically and dynamically balanced according to DIN ISO 21940-11 with quality level G2.5. The electrical connection is mounted on the housing by a terminal box. Air volume control is possible over an 0-10V Signal (accessory).

Fan complies with the guidelines required (Machinery-, EMC- and Low Voltage Directive) to comply with installation and conformity declaration as well as CE marking.

### Nominal Data:

Voltage

1~200-277 V

Frequency

50/60 Hz

Input power

0,165 kW

Current

0,75 A

Speed

1540 r/min

Medium temperature

50 °C

Protection Mode

IP 44

Weight

28,7 kg

Dimensions

680 mm / 595 mm / 420 mm

### Contact:

Rosenberg Ventilatoren BV

Elandlaan 8

NL - 3734 CP Den Dolder

[www.rosenberg.nl](http://www.rosenberg.nl)

### Type:

Z 315 G.3DI R

### Article-No.:

F05-31514

