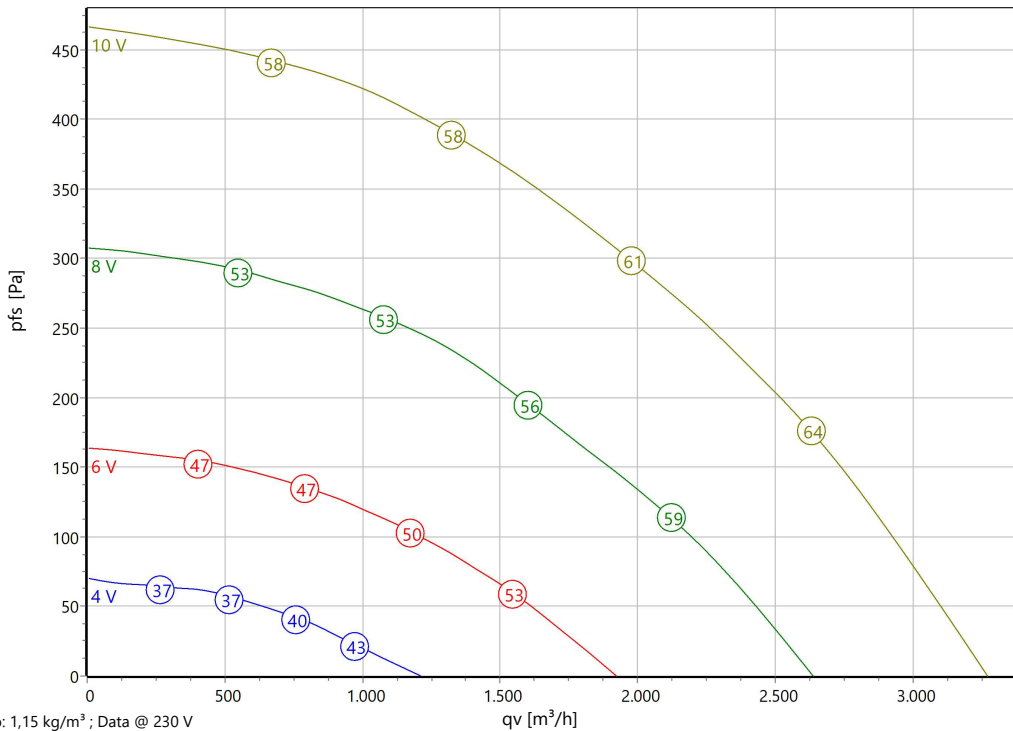




Type: **Z 400 G.4EA R**
Part no.: F05-40014



Curve:



p: 1,15 kg/m³ ; Data @ 230 V

ErP-Data:

(EU) Nr. 1253/2014	(Lot6)	
qV	1697	m³/h
pfs	355	Pa
ηfs	42,2	%
Ped	0,4	kW
n	1650	r/min
N	48	
v	3,74	m/s
ηfs Lot11	58	%

Nominal Data:

U [V]	f [Hz]	Data @ [V]	Ped [kW]	IN [A]	nN [r/min]	tR [°C]	k10 [m²s/h]	Eff.-Rating	IP	m [kg]
1~200-277	50/60	230	0,42	1,86	1650	-25 .. +45	-	IE4	IP 44	37

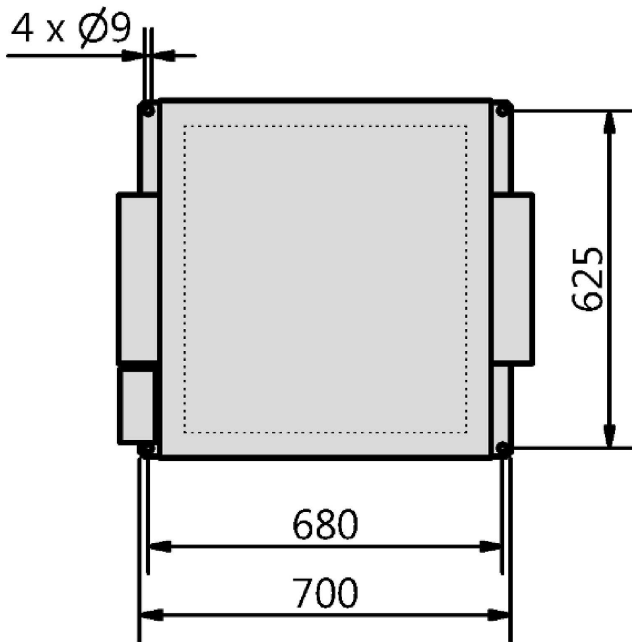
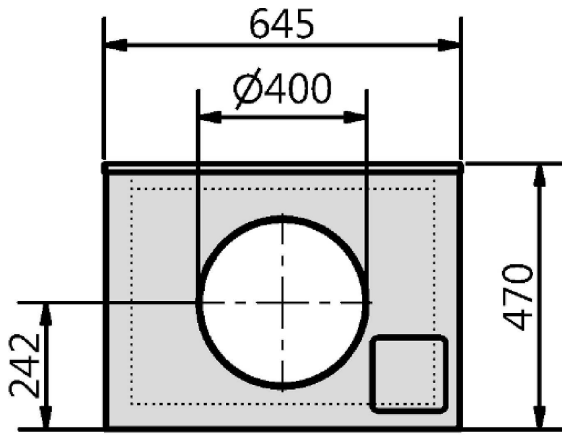
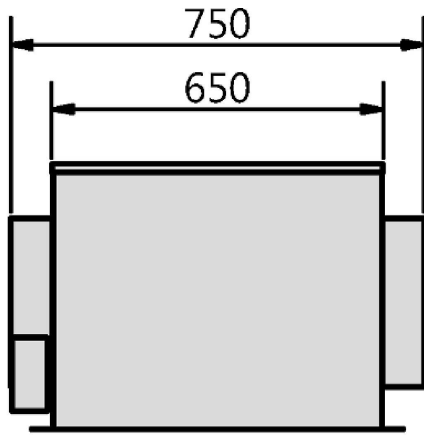
Sound Data:

Frequency	Σ	63Hz	125Hz	250Hz	500Hz	1kHz	2kHz	4kHz	8kHz	Distances	1 m	5 m
LwA(D,in) [dB(A)]		-21	-3	-6	-11	-11	-13	-17	-22	LpA(D,in) [dB(A)]	-7	-18
LwA(D,out) [dB(A)]	5	-23	-1	-1	-2	-3	-5	-10	-17	LpA(D,out) [dB(A)]	-2	-13
LwA(D,cas) [dB(A)]	-9	-29	-12	-13	-22	-24	-34	-38	-40	LpA(D,cas) [dB(A)]	-16	-27



Type: **Z 400 G.4EA R**

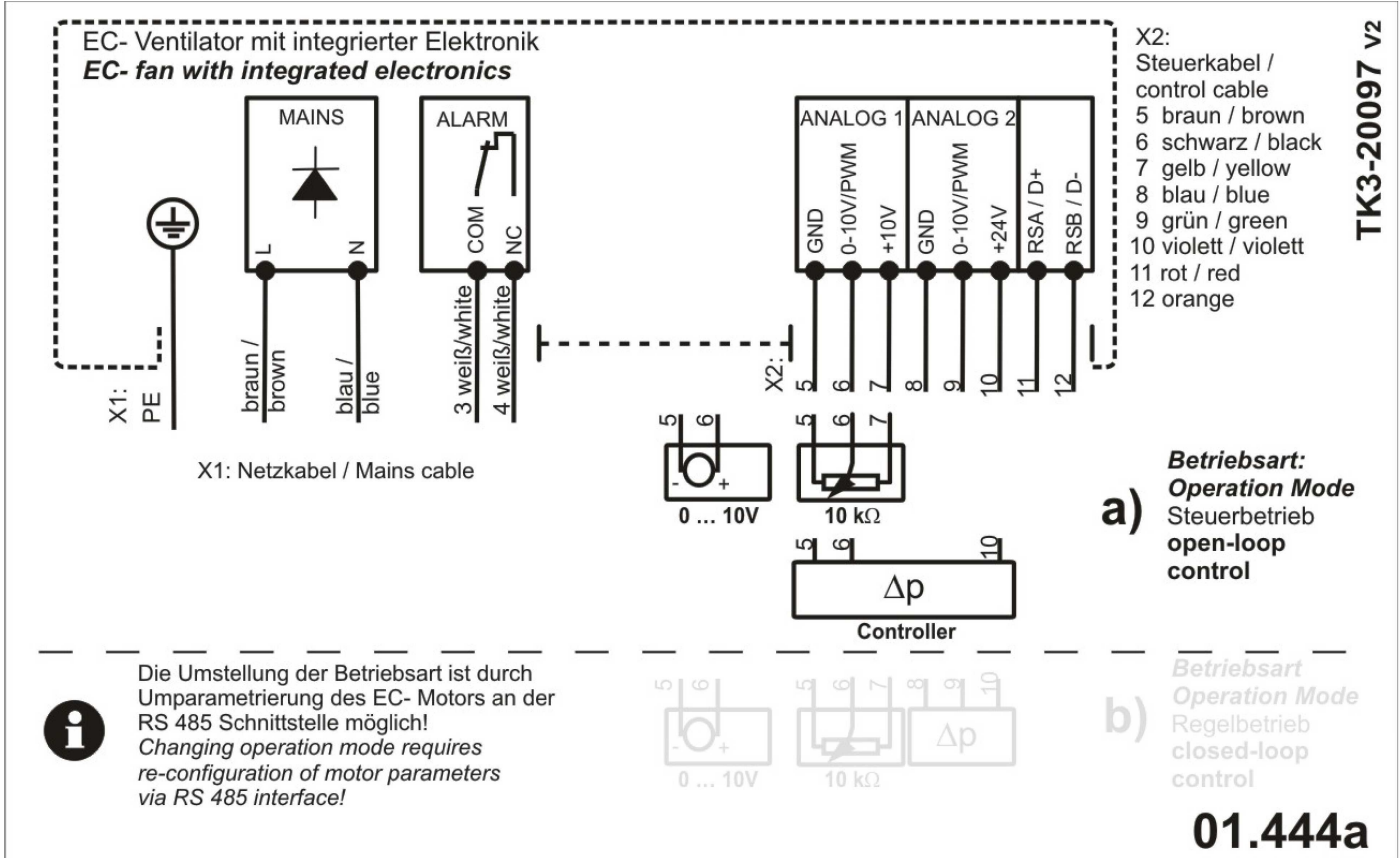
Part no.: F05-40014





Type: **Z 400 G.4EA R**

Part no.: F05-40014



Zerobox "REVOLUTION"

Tube fan with sound-insulated housing

The flat casing made of galvanized sheet steel as sound absorbing construction. The inlayed 40mm thick rockwool plates have a sound attenuating effect. The covering lid can easily be unscrewed to gain access for cleaning and maintenance. The motor is removable together with the impeller and spiral scroll. Inlet and outlet side with duct connection for standard round ducts. Mounting either with horizontal or vertical motor shaft. Impeller of the E-series (Revolution) made of black, UV-stabilized and long glass fibre reinforced Polypropylene (PP) with 7 backward curved, profiled blades and narrow efficiency optimized circumferential diffusor. Sound and weight optimized. Corrosion resistant and compact design. Air Flow orientated behaviour. Energy saving EC external-rotor motor exceeds IE4 / Super Premium Efficiency. Maintenance free ball bearings, closed on both sides with long-term lubrication. Magnets without rare earth elements. Motor coated black and/or die casted aluminum. Protection Class IP54. 1-phase types with cable for supply and controlling and integrated active PFC (Power Factor Correction). 3-phase types with integrated terminal box and environmental resistant cable glands (3x M20x1,5). 100% speed controllable with integrated Motor Protection. ModBus RTU Interface integrated. Busconfiguration possible on site by customer. Soft Start. Potential-free Alarm Contact and integrated 24V Supply for Accessories. Applicable in all common energy grids. Low noise commutation. Motorized Impeller statically and dynamically balanced according to DIN ISO 21940-11 at least with quality level G6.3. The electrical connection is mounted on the housing by a terminal box. Air volume control is possible over an 0-10V Signal (accessory).

Fan complies with the guidelines required (Machinery-, EMC- and Low Voltage Directive) to comply with installation and conformity declaration as well as CE marking.

Nominal Data:

Voltage

1~200-277 V

Frequency

50/60 Hz

Input power

0,42 kW

Current

1,86 A

Speed

1650 r/min

Medium temperature

45 °C

Protection Mode

IP 44

Efficiency Class

IE4

Weight

37 kg

Dimensions

750 mm / 645 mm / 470 mm

Contact:

Rosenberg Ventilatoren BV

Elandlaan 8

NL - 3734 CP Den Dolder

www.rosenberg.nl

Type:

Z 400 G.4EA R

Article-No.:

F05-40014