

RE

5-Stage Control Unit



5-Stage control unit

Single-phase, 5-speed controller with mains contactor and monitor light for speed regulation of voltage controlled motors / fans. With the step switch which is built into the controller, five different speeds can be adjusted on the connected motor / fan. Thus switch step 1 corresponds to the lowest, respectively switch step 5 corresponds to the highest speed. The controllers are suited for group. Several motors can be connected to the controller if the total of the supplies does not exceed the controller's rated current.

Motor control

With this type of controller the thermal contacts can be connected in series with the motor winding. On exceeding the maximum permissible winding temperature of the motor, the thermal contacts open. Through this motor's circuit is interrupted and the motor / fan is switched off. After the motor winding has cooled down, the thermal contacts on the motor's circuit are closed again. Hence automatic start-up of the motor. Series connection of the motor winding with the thermal contacts is possible up to a maximum of 6 A rated current of the motor.

After power failure

Automatic restart after voltage failure.

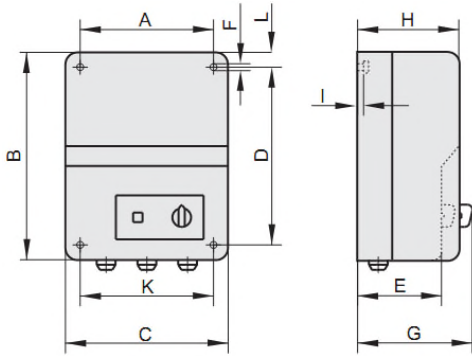
Design

RE 1,5, RE 3,2, RE 5, RE 6

Sturdy light grey plastic enclosure in protection class IP54.

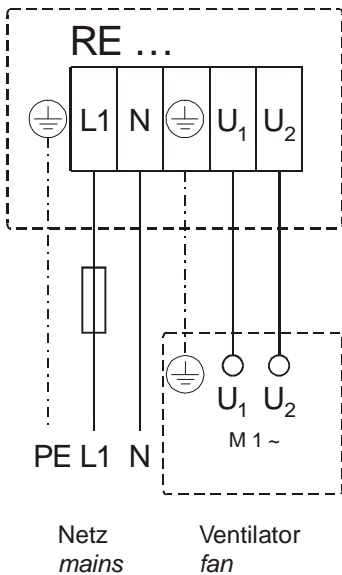
Technical Data:

Dimensions:



| Type | Art.-No. | max. current [A] | Weight [kg] | Protection class | A | B | C | D | E | F | G | H | I | K | L |
|--------|-----------|------------------|-------------|------------------|-----|-----|-----|-----|-----|---|-----|-----|---|-----|----|
| RE 1.5 | H50-01500 | 1.5 | 2.0 | IP 54 | 96 | 180 | 116 | 160 | 85 | 5 | 100 | 100 | 5 | 96 | 10 |
| RE 3.2 | H50-03200 | 3.2 | 3.0 | IP 54 | 130 | 220 | 168 | 180 | --- | 6 | 145 | 120 | 5 | 130 | 20 |
| RE 5.0 | H50-05000 | 5.0 | 4.2 | IP 54 | 130 | 220 | 168 | 180 | --- | 6 | 145 | 120 | 5 | 130 | 20 |
| RE 6.0 | H50-06000 | 6.0 | 5.4 | IP 54 | 130 | 220 | 168 | 180 | --- | 6 | 165 | 145 | 5 | 130 | 20 |

Wiring Diagram:



Scope of Delivery:

- 5-Stage control unit (RE)
- Documentation

Voltage Specification:

| Current type | Input | Level | Voltage |
|--------------|---------------|-------|---------|
| Single phase | 1~230V / 50Hz | 1 | 105V |
| | | 2 | 130V |
| | | 3 | 145V |
| | | 4 | 160V |
| | | 5 | 230V |